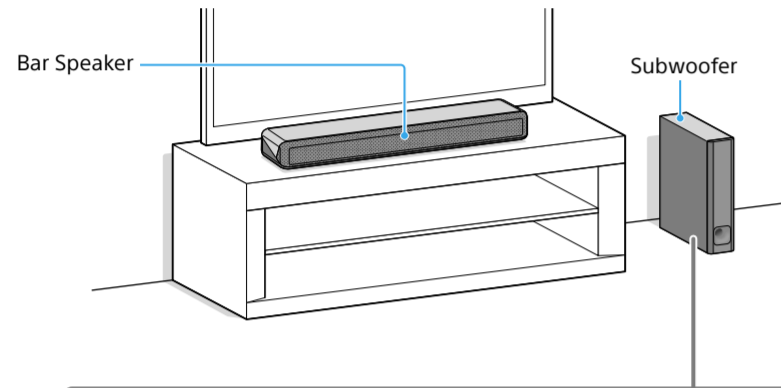
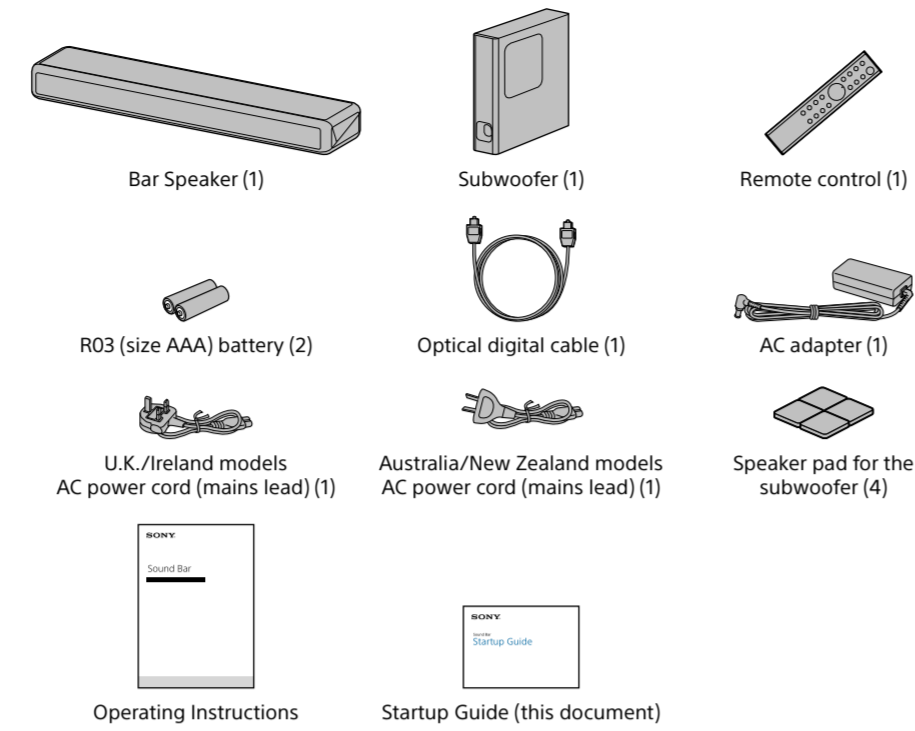


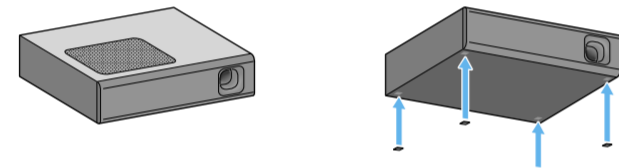
Sound Bar
Startup Guide

HT-MT300/MT301

What's in the box



When installing the subwoofer horizontally, use the speaker pad (supplied).



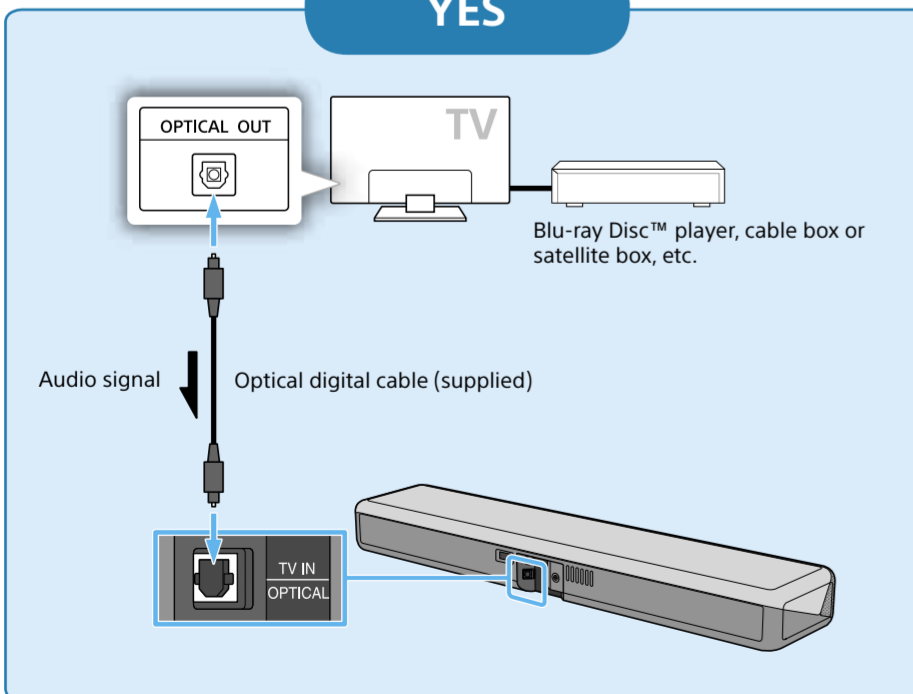
To set up the remote control



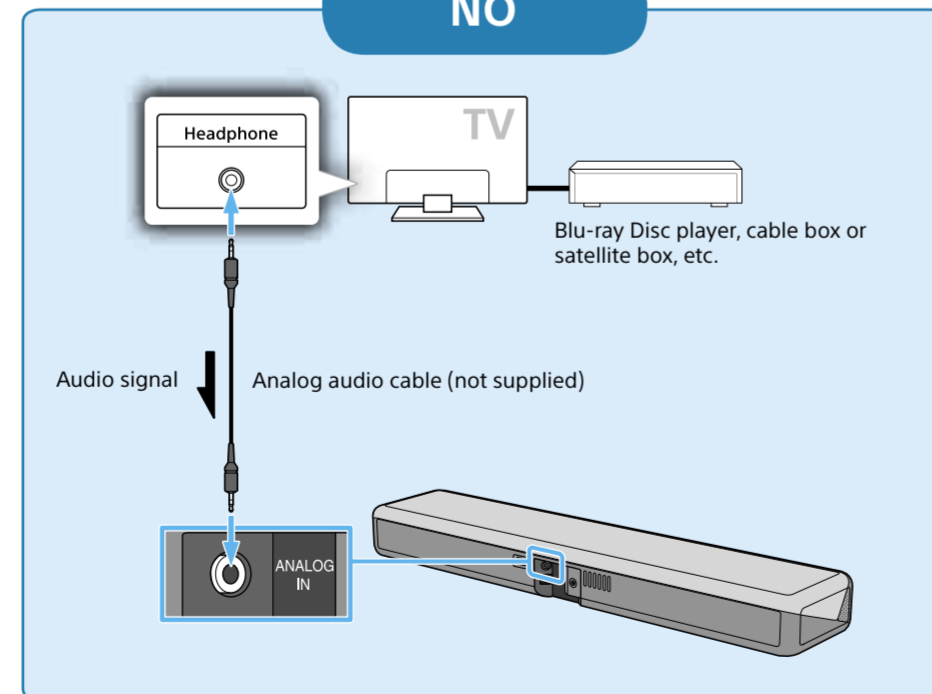
1 Connecting with a TV

Is there an optical digital jack on your TV?

YES



NO

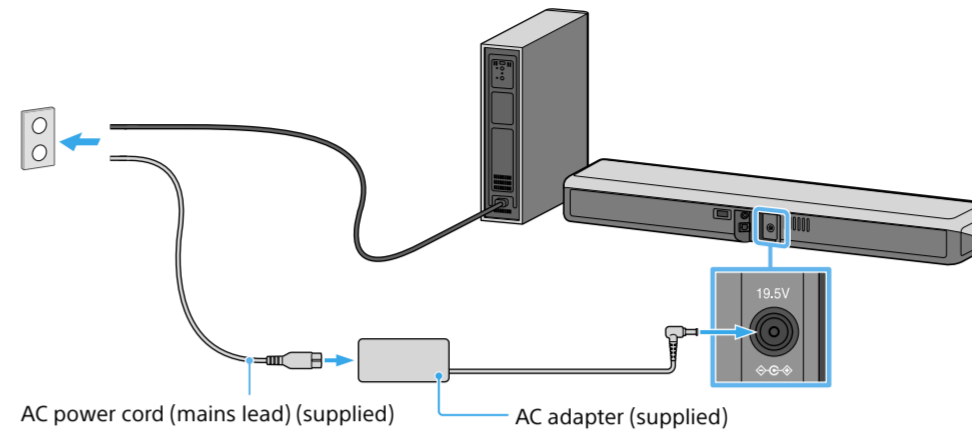


Note

- If the TV's headphone jack also serves as an audio output jack, check the TV's audio output settings. For details, refer to the TV's operating instructions.
- Make sure that the cables are firmly inserted.

2 Turning on the system

1



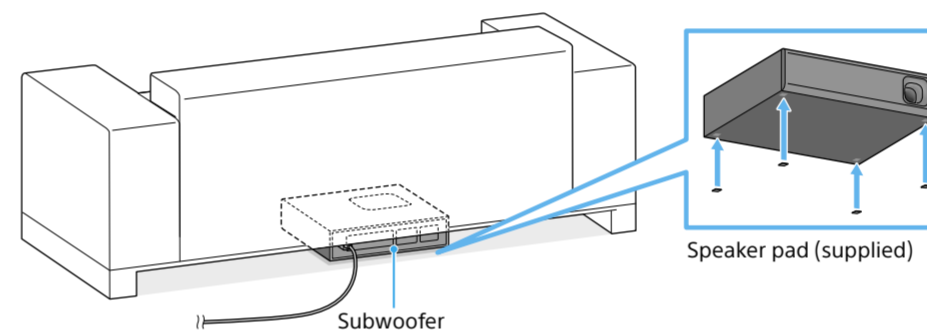
AC power cord (mains lead) (supplied) AC adapter (supplied)

- 1 Connect the AC adapter and AC power cord (mains lead), then connect the AC adapter to the Bar Speaker and subwoofer to the AC outlets (mains). An input indicator lights up.
- 2 Press **TV** (power) on the remote control of the system.
- 3 Confirm that the power indicator of the subwoofer is lit in green. If not, refer to "Subwoofer" of "Troubleshooting" in the Operating Instructions (separate document).

Note

- Do not place magnetic cards on the system or near the system.
- Do not place metal objects other than a TV around the system. Wireless functions may become unstable.

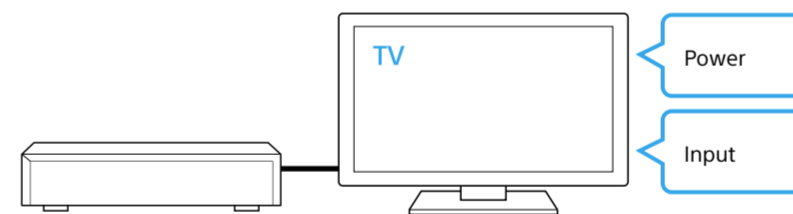
To install the subwoofer under a sofa



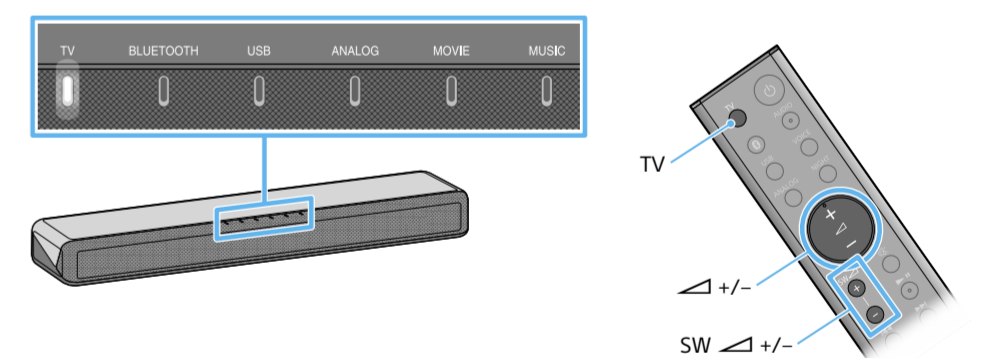
- 1 Put the speaker pads on the subwoofer, then place the subwoofer under a sofa with the speaker facing upward.
- 2 Hold down **VOICE** on the remote control of the system for 5 seconds. The USB and ANALOG indicators flash twice, then the sofa mode is activated. The sound quality is changed to suit when the subwoofer is installed under a sofa.

3 Listening to the sound

1



2/3



- 1 Turn on the TV, then select the desired program or input using the remote control of the TV.
- 2 Press **TV** on the remote control of the system to turn on the TV indicator. If you connected your TV to the ANALOG jack in step 1, press **ANALOG** on the remote control of the system.
- 3 Adjust the volume. Adjust the volume by pressing **+/-** on the remote control of the system. Adjust the volume of the subwoofer by pressing **SW +/-** on the remote control of the system.

Setup completed! Enjoy!

Please refer to the supplied Operating Instructions for details about the other functions and Troubleshooting.



Operating Instructions