

SONY[®]

Television

Reference Guide

BRAVIA

KD-75X9400C / 65X9300C / 55X9300C

Table of Contents

Safety information	2
Precautions	5
Parts and Controls	7
Controls and Indicators	7
Inputs and Outputs	8
Using Remote Control	10
Remote Control Parts Description	10
Using the Touchpad Remote Control	12
Launching the Touchpad Remote Control Introduction/Tutorial	12
Attaching the Table-Top Stand (Alternative)	12
Connecting the TV	14
Installing the TV to the Wall	18
SU-WL500 (KD-75X9400C)	19
SU-WL450 (KD-65/55X9300C)	21
Troubleshooting	25
Troubles and Solutions	25
Specifications	26

Introduction

Thank you for choosing this Sony product. Before operating the TV, please read this manual thoroughly and retain it for future reference.

Note

- Before operating the TV, please read "Safety information" (page 2).
- Instructions about "Installing the TV to the Wall" are included within this TV's instructions manual.
- Images and illustrations used in Startup Guide and this manual are for reference only and may differ from actual product appearance.

Location of the identification label

Labels for the TV Model No. and Power Supply rating are located on the rear of the TV.

Notice for customers in Thailand

This telecommunication equipment conforms to NTC technical requirement.

Notes for Australia and New Zealand model

This product is ENERGY RATING qualified in the default mode. ENERGY RATING is a programme designed to promote energy efficient products and practices.

- When the TV is initially set up, it is designed to meet ENERGY RATING requirements while maintaining optimum picture quality.
- Changes to certain features, settings and functionalities of this TV (e.g. TV Guide, Picture/Sound, Eco setting) can slightly change the power consumption.

Depending upon such changed settings (e.g. Shop mode), the power consumption may vary which possibly could exceed the stated energy rating.

To reset the TV to ENERGY RATING qualified settings, complete the initial set-up procedure in [Settings] → [Storage & reset] → [Factory data reset].

After factory data reset, downloaded application data will be deleted. Please download them again.

IMPORTANT INFORMATION

If a television is not positioned in a sufficiently stable location, it can be potentially hazardous due to falling. Many injuries, particularly to children, can be avoided by taking simple precautions such as:

- Using cabinets or stands recommended by the manufacturer of the television.
- Only using furniture that can safely support the television.
- Ensuring the television is not overhanging the edge of the supporting furniture.
- Not placing the television on tall furniture (for example, cupboards or bookcases) without anchoring both the furniture and the television to a suitable support.
- Not standing the televisions on cloth or other materials placed between the television and supporting furniture.
- Educating children about the dangers of climbing on furniture to reach the television or its controls.

Safety information

WARNING

Batteries must not be exposed to excessive heat such as sunshine, fire or the like.

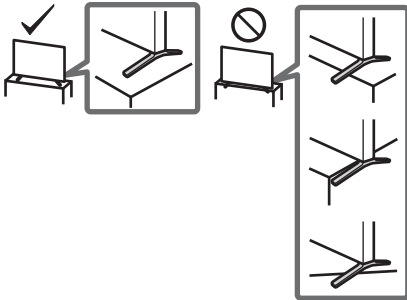
Installation/Set-up

Install and use the TV set in accordance with the instructions below in order to avoid any risk of fire, electrical shock or damage and/or injuries.

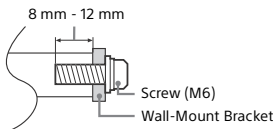
Installation

- The TV set should be installed near an easily accessible AC power outlet (mains socket).
- Place the TV set on a stable, level surface to avoid it from falling down and cause personal injury or damage to the TV.

- Install the TV where it cannot be pulled, pushed, or knocked over.
- Install the TV so that the TV's Table-Top Stand does not protrude out from the TV stand (not supplied). If the Table-Top Stand protrudes out from the TV stand, it may cause TV set to topple over, fall down, and cause personal injury or damage to the TV.



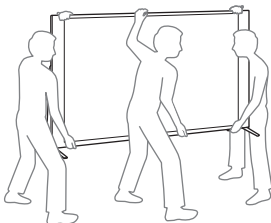
- Only qualified service personnel should carry out wall installations.
- For safety reasons, it is strongly recommended that you use Sony accessories, including:
 - Wall-Mount Bracket SU-WL500 (KD-75X9400C), SU-WL450 (KD-65/55X9300C)
- Be sure to use the screws supplied with the Wall-Mount Bracket when attaching the Wall-Mount Bracket to the TV set. The supplied screws are designed as indicated by illustration when measured from the attaching surface of the Wall-Mount Bracket. The diameter and length of the screws differ depending on the Wall-Mount Bracket model. Use of screws other than those supplied may result in internal damage to the TV set or cause it to fall, etc.



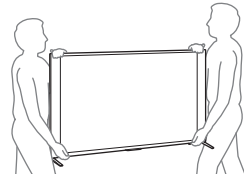
Transporting

- Before transporting the TV set, disconnect all cables.
- Two or three people are needed to transport a large TV set.
- When transporting the TV set by hand, hold it as shown below. Do not put stress on the LCD panel and the frame around the screen.

KD-75X9400C



KD-65/55X9300C



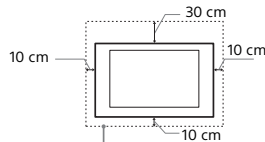
- When transporting the TV set, do not subject it to jolts or excessive vibration.
- When transporting the TV set for repairs or when moving, pack it using the original carton and packing material.

GB

Ventilation

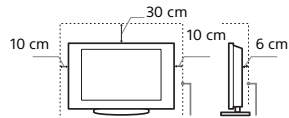
- Never cover the ventilation holes or insert anything in the cabinet.
- Leave space around the TV set as shown below.
- It is strongly recommended that you use a Sony Wall-Mount Bracket in order to provide adequate air circulation.

Installed on the wall



Leave at least this space around the set.

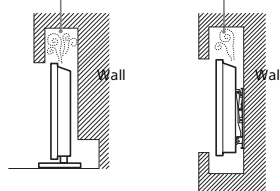
Installed with stand



Leave at least this space around the set.

- To ensure proper ventilation and prevent the collection of dirt or dust:
 - Do not lay the TV set flat, install upside down, backwards, or sideways.
 - Do not place the TV set on a shelf, rug, bed or in a closet.
 - Do not cover the TV set with a cloth, such as curtains, or items such as newspapers, etc.
 - Do not install the TV set as shown below.

Air circulation is blocked.



AC power cord (mains lead)

- Handle the AC power cord (mains lead) and outlet (mains socket) as follows in order to avoid any risk of fire, electrical shock or damage and/or injuries:
- Insert the plug fully into the AC power outlet (mains socket).
 - Operate the TV set on a 110–240 V AC supply only.
 - When wiring cables, be sure to unplug the AC power cord (mains lead) for your safety and take care not to catch your feet on the cables.
 - Disconnect the AC power cord (mains lead) from the AC power outlet (mains socket) before working on or moving the TV set.
 - Keep the AC power cord (mains lead) away from heat sources.
 - Unplug the AC power plug (mains plug) and clean it regularly. If the plug is covered with dust and it picks up moisture, its insulation may deteriorate, which could result in a fire.

Note

- Do not pinch, bend, or twist the AC power cord (mains lead) excessively. The core conductors may be exposed or broken.
- Do not modify the AC power cord (mains lead).
- Do not put anything heavy on the AC power cord (mains lead).
- Do not pull on the AC power cord (mains lead) itself when disconnecting the AC power cord (mains lead).
- Do not connect too many appliances to the same AC power outlet (mains socket).
- Do not use a poor fitting AC power outlet (mains socket).

Prohibited Usage

Do not install/use the TV set in locations, environments or situations such as those listed below, or the TV set may malfunction and cause a fire, electrical shock, damage and/or injuries.

Location:

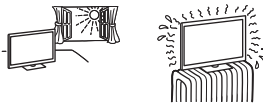
- Outdoors (in direct sunlight), at the seashore, on a ship or other vessel, inside a vehicle, in medical institutions, unstable locations, near water, rain, moisture or smoke.
- If the TV is placed in the changing room of a public bath or hot spring, the TV may be damaged by airborne sulfur, etc.



- For best picture quality, do not expose the screen to direct illumination or sunlight.
- Avoid moving the TV from a cold area to a warm area. Sudden room temperature changes may cause moisture condensation. This may cause the TV to show poor picture and/or poor colour. Should this occur, allow moisture to evaporate completely before powering the TV on.

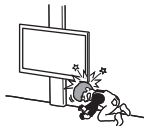
Environment:

- Places that are hot, humid, or excessively dusty; where insects may enter; where it might be exposed to mechanical vibration, near flammable objects (candles, etc). The TV set shall not be exposed to dripping or splashing and no objects filled with liquids, such as vases, shall be placed on the TV.
- Do not place the TV in a humid or dusty space, or in a room with oily smoke or steam (near cooking tables or humidifiers). Fire, electric shock, or warping may result.
- Do not install the TV in places subject to extreme temperature, such as in direct sunlight, near a radiator or a heating vent. The TV may overheat in such conditions which can cause deformation of the enclosure and/or TV malfunction.



Situation:

- Do not use when your hands are wet, with the cabinet removed, or with attachments not recommended by the manufacturer. Disconnect the TV set from AC power outlet (mains socket) and antenna (aerial) during lightning storms.
- Do not install the TV so that it sticks out into an open space. Injury or damage from a person or object bumping into the TV may result.



Broken pieces:

- Do not throw anything at the TV set. The screen glass may break by the impact and cause serious injury.
- If the surface of the TV set cracks, do not touch it until you have unplugged the AC power cord (mains lead). Otherwise electric shock may result.

When not in use

- If you will not be using the TV set for several days, the TV set should be disconnected from the AC power (mains) for environmental and safety reasons.
- As the TV set is not disconnected from the AC power (mains) when the TV set is just turned off, pull the plug from the AC power outlet (mains socket) to disconnect the TV set completely.
- However, some TV sets may have features that require the TV set to be left in standby to work correctly.

For children

- Do not allow children to climb on the TV set.
- Keep small accessories out of the reach of children, so that they are not mistakenly swallowed.

If the following problems occur...

Turn off the TV set and unplug the AC power cord (mains lead) immediately if any of the following problems occur. Ask your dealer or Sony service centre to have it checked by qualified service personnel.

When:

- AC power cord (mains lead) is damaged.
- Poor fitting of AC power outlet (mains socket).
- TV set is damaged by being dropped, hit or having something thrown at it.
- Any liquid or solid object falls through openings in the cabinet.

About LCD Monitor Temperature

When the LCD Monitor is used for an extended period, the panel surrounds become warm. You may feel hot when touching there by the hand.

Precautions

Viewing the TV

- View the TV in moderate light, as viewing the TV in poor light or during long period of time, strains your eyes.
- When using headphones, adjust the volume so as to avoid excessive levels, as hearing damage may result.
- Some people may experience discomfort (such as eye strain, fatigue, or nausea) while watching 3D video images or playing stereoscopic 3D games. Sony recommends that all viewers take regular breaks while watching 3D video images or playing stereoscopic 3D games. The length and frequency of necessary breaks will vary from person to person. You must decide what works best. If you experience any discomfort, you should stop watching the 3D video images or playing stereoscopic 3D games until the discomfort ends; consult a doctor if you believe necessary. You should also review (i) the instruction manual of any other device or media used with this television and (ii) our website (<http://www.sony-asia.com/support>) for the latest information. The vision of young children (especially those under six years old) is still under development. Consult your doctor (such as a pediatrician or eye doctor) before allowing young children to watch 3D video images or play stereoscopic 3D games. Adults should supervise young children to ensure they follow the recommendations listed above.
- Do not use, store, or leave the 3D Glasses or battery near a fire, or in places with a high temperature, e.g., in direct sunlight, or in sun-heated cars.

LCD Screen

- Although the LCD screen is made with high-precision technology and 99.99% or more of the pixels are effective, black dots may appear or bright points of light (red, blue, or green) may appear constantly on the LCD screen. This is a structural property of the LCD screen and is not a malfunction.
- Do not push or scratch the front filter, or place objects on top of this TV set. The image may be uneven or the LCD screen may be damaged.
- If this TV set is used in a cold place, a smear may occur in the picture or the picture may become dark. This does not indicate a failure. These phenomena disappear as the temperature rises.
- Ghosting may occur when still pictures are displayed continuously. It may disappear after a few moments.
- The screen and cabinet get warm when this TV set is in use. This is not a malfunction.
- The LCD screen contains a small amount of liquid crystal. Follow your local ordinances and regulations for disposal.

Handling and cleaning the screen surface/cabinet of the TV set

Be sure to unplug the AC power cord (mains lead) connected to the TV set from AC power outlet (mains socket) before cleaning. To avoid material degradation or screen coating degradation, observe the following precautions.

- To remove dust from the screen surface/cabinet, wipe gently with a soft cloth. If dust is persistent, wipe with a soft cloth slightly moistened with a diluted mild detergent solution.
- Never spray water or detergent directly on the TV set. It may drip to the bottom of the screen or exterior parts and enter the TV set, and may cause damage to the TV set.
- Never use any type of abrasive pad, alkaline/acid cleaner, scouring powder, or volatile solvent, such as alcohol, benzene, thinner or insecticide. Using such materials or maintaining prolonged contact with rubber or vinyl materials may result in damage to the screen surface and cabinet material.
- Periodic vacuuming of the ventilation openings is recommended to ensure to proper ventilation.
- When adjusting the angle of the TV set, move it slowly so as to prevent the TV set from moving or slipping off from its table stand.



Optional Equipment

Keep optional components or any equipment emitting electromagnetic radiation away from the TV set. Otherwise picture distortion and/or noisy sound may occur.

Wireless Function of the unit

- Do not operate this unit near medical equipment (pacemaker, etc.), as malfunction of the medical equipment may result.
- Although this unit transmits/receives scrambled signals, be careful of unauthorised interception. We cannot be responsible for any trouble as a result.

Caution about handling the remote control

- Observe the correct polarity when inserting batteries.
- Do not use different types of batteries together or mix old and new batteries.
- Dispose of batteries in an environmentally friendly way. Certain regions may regulate the disposal of batteries. Please consult your local authority.
- Handle the remote control with care. Do not drop or step on it, or spill liquid of any kind onto it.
- Do not place the remote control in a location near a heat source, a place subject to direct sunlight, or a damp room.

Disposal of the TV set



Disposal of Old Electrical & Electronic Equipment (Applicable in the European Union and other European countries with separate collection systems)

This symbol is on the remote control.

Disposal of the TV set



Disposal of Old Electrical & Electronic Equipment (Applicable in Republic of India)

This symbol indicates that this product shall not be treated as household waste and may not be dropped in garbage bins. Product owners are advised to deposit their product at the nearest collection point for the recycling of electrical and electronic equipment. Your co-

operation shall facilitate proper disposal & help prevent potential negative consequences/hazards to the environment and human health, which could otherwise be caused by inappropriate waste disposal including improper handling, accidental breakage, damage and/or improper recycling of e-waste. The recycling of materials will help to conserve natural resources. For more detailed information about recycling of this product, please contact your local civic office, your household waste disposal service provider or the store where you made the purchase. You may contact our company's toll free number in India for assistance.

This product complies with the "India E-waste Rule 2011". The E-waste Rules, 2011 is an Indian directive aimed at reducing the harmful environmental impact of waste electrical equipment by restricting the use of known hazardous substances. As of 1st May 2012, new electrical and electronic equipment introduced into the market may no longer contain the following chemicals or its specified maximum concentration levels:
Lead, Mercury, Hexavalent Chromium, Polybrominated Biphenyls (PBB) or Polybrominated Diphenylethers (PBDE) - in concentrations exceeding 0.1 weight % and Cadmium - 0.01 weight %, except of exemptions set in Schedule 2 of the aforesaid Rule.

Notice for customer in UAE

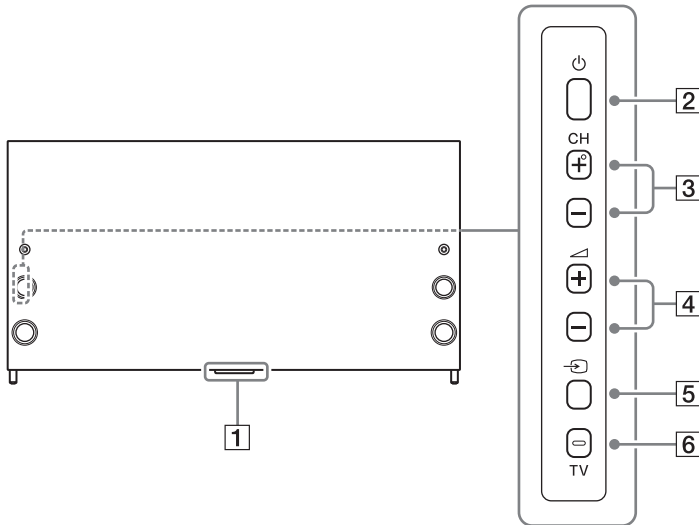
TRA

REGISTERED No: ER35215/14

DEALER No: DA0065531/11

Parts and Controls

Controls and Indicators



GB

1 Remote Control sensor*1 / Light sensor*1 / Illumination LED / 3D Sync Transmitter*1

The illumination LED lights up or blinks according to the status of the TV.

- White
When turning on the TV/picture off mode/software update, etc.
- Cyan
When connecting with a mobile device wirelessly.
- Pink*2
Recording mode.
- Amber
Timer is set.

2 (Power)

3 CH +/- (Channel)

4 +/- (Volume)

5 (Input select)

Display and select the input source.

6 TV

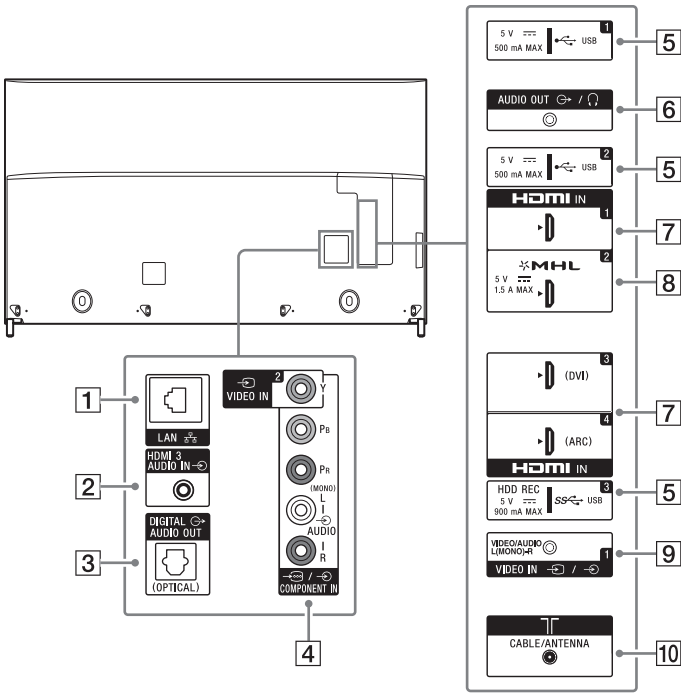
Switch to a TV channel or input from other applications.

*1 Do not place anything near the sensor.

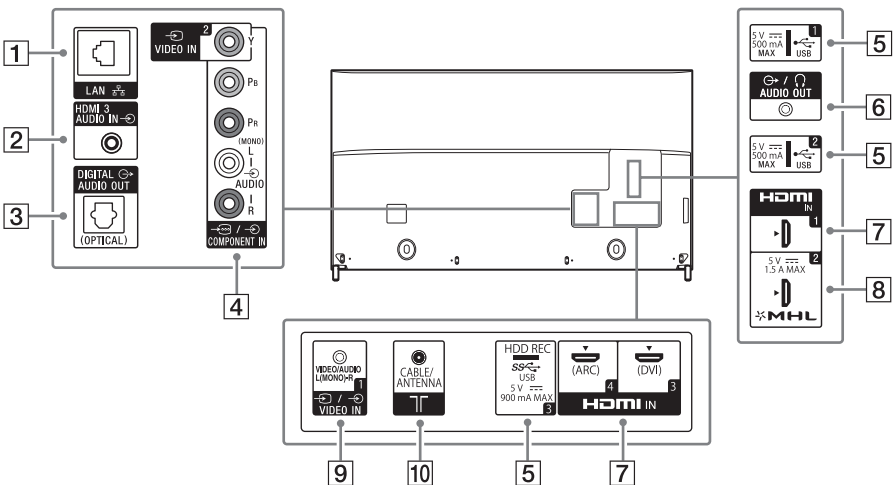
*2 Only on limited region/country/TV model.

Inputs and Outputs

KD-75X9400C/55X9300C



KD-65X9300C



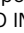
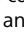
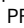
1 LAN

2 **HDMI 3 AUDIO IN**

For HDMI 3 analogue audio connection.

3 **DIGITAL AUDIO OUT (OPTICAL)**

4 **VIDEO IN 2**, **COMPONENT IN**

- For a composite connection:
Use VIDEO IN 2, and  (L/R) of  COMPONENT IN*1.
- For a component connection:
Use Y, PB, PR, and  (L/R).

5 **(USB 1/2)**, **(USB 3)** (except Australia and New Zealand model)

(USB 1/2), **(USB 3 (HDD REC))*2 *3**

(Australia and New Zealand model only)

- Connecting a large USB device may interfere with other connected devices beside it.
- When connecting a large USB device, connect to the USB 1 jack.

6 **AUDIO OUT**

To listen to the TV's sound through the connected equipment, press **HOME**. Select [Settings] → [Sound] → [Headphone/Audio out] and then select the desired item.

7 **HDMI IN 1/3/4**

- If the device has a DVI jack, connect it to HDMI IN 3 through a DVI - HDMI adaptor interface (not supplied), and connect the device's audio out jack to HDMI 3 AUDIO IN.
- If connecting a digital audio system that is compatible with Audio Return Channel (ARC) technology, use HDMI IN 4. If not, an additional connection with DIGITAL AUDIO OUT (OPTICAL) is necessary.

8 **HDMI IN 2/MHL**

You can connect your MHL (Mobile High-definition Link) device using an HD quality MHL cable.

9 **VIDEO IN 1**

For a composite connection, use the supplied Analogue Extension Cable*1.

10 **CABLE/ANTENNA**

Connect to your cable or antenna (aerial).

*1 When connecting mono equipment, connect to the L (MONO) audio jack.

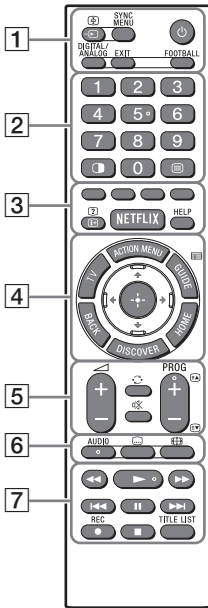
*2 Only on limited region/country/TV model.

*3 HDD REC function will be available within 2015. You will receive HDD REC function automatically as a software upgrade. Make sure your TV is connected to the Internet. If you do not have a network connection, you will be able to download the software from the Sony support website using your PC. For details on how to upgrade, please visit the Sony support website. To stay informed about the exact release date, please subscribe at Australia
<http://www.sony.com.au/braviausbrecording>
New Zealand
<http://www.sony.co.nz/braviausbrecording>

Using Remote Control

Remote Control Parts Description

IR (infrared) Remote Control



- 1** (Input select/Text hold)
In TV mode: Display and select the input source.
In Text mode: Hold the current page.

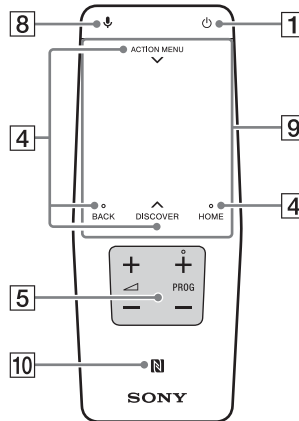
SYNC MENU*¹
Display the BRAVIA Sync Menu.

(TV standby)
Turn on or turn off the TV (standby mode).

DIGITAL/ANALOG
Switch between digital and analogue mode.

EXIT
Return to the previous screen or exit from the menu. When an Interactive Application service is available, press to exit from the service.

Touchpad Remote Control



FOOTBALL*¹
Turn Live Football Mode on or off (when the feature is available).

- 2** **Number buttons**
 (Twin picture/PIP)*¹ *³
Display two pictures simultaneously.

(Text)
Display text information.

- 3** **Colour buttons**
Execute correspondent function at that time.

(Info/Text reveal)*¹
Display information.

NETFLIX*¹
Access the "NETFLIX" online service.

HELP

Display Help Menu

4 ACTION MENU

Display a list of contextual functions. You can also display it by slide down your finger from **ACTION MENU** on the Touchpad Remote Control.

TV*1

Switch to a TV channel or input from other applications.

GUIDE/*1

Display the digital programme guide.

BACK

Return to previous screen.

HOME

Display the TV Home Menu.

DISCOVER

Bring up the Content Bar to search for content. You can also launch Content Bar by slide up your finger from **DISCOVER** on the Touchpad Remote Control.

(Item select/Enter)

5 +/- (Volume)

Adjust the volume.

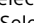
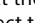
(Jump)

Jump back and forth between two channels or inputs. The TV alternates between the current channel or input and the last channel or input that was selected.

(Muting)

Mute the sound. Press again to restore the sound.

PROG +/-//

In TV mode: Select the channel.
In Text mode: Select the next () or previous () page.

6 AUDIO

Change the language for the programme currently being viewed.

(Subtitle setting)

Turn subtitles on or off (when the feature is available).

(Wide mode)*1

Change the screen format.

7

Operate media contents on TV and connected BRAVIA Sync-compatible device.

REC*1 *2

Record the current programme with the USB HDD recording function.

TITLE LIST*1

Display the Title list.

8 (Microphone)

Use Voice Function. (e.g., Search various content by voice.)

9 Touchpad

Operate the TV with the touchpad.

10 (NFC)

Touch the device (e.g. some models of Xperia) corresponding to the One-touch mirroring function, then its screen is displayed on the TV.

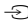
*1 The location, availability and function of remote control button may vary depending on your country/region/TV model.

*2 HDD REC function will be available within 2015. You will receive HDD REC function automatically as a software upgrade. Make sure your TV is connected to the Internet. If you do not have a network connection, you will be able to download the software from the Sony support website using your PC. For details on how to upgrade, please visit the Sony support website. To stay informed about the exact release date, please subscribe at Australia
<http://www.sony.com.au/braviausbrecording>
New Zealand
<http://www.sony.co.nz/braviausbrecording>

*3 Twin Picture function will be available within 2015. You will receive Twin Picture function automatically as a network software upgrade. Make sure your TV is connected to the Internet. If you do not have a network connection, you will be able to download the software from the Sony support website using your PC. For details on how to upgrade, please visit the Sony support website.

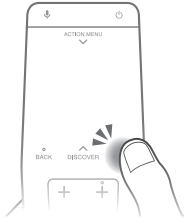
Using the Touchpad Remote Control

Touchpad Remote Control can only be used after pairing with the TV.

To pair, follow the pairing screen instruction. Pairing screen can be displayed by pressing the  button on the TV for 5 seconds, or select [Settings] - [Touchpad Remote Control settings] - [Pair Touchpad Remote Control].

Launching the Touchpad Remote Control Introduction/Tutorial

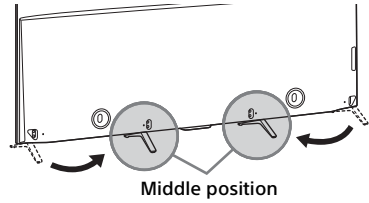
1 Press HOME.



2 Select [Settings] - [Touchpad Remote Control settings] - [Start Introduction/Tutorial].

Attaching the Table-Top Stand (Alternative)

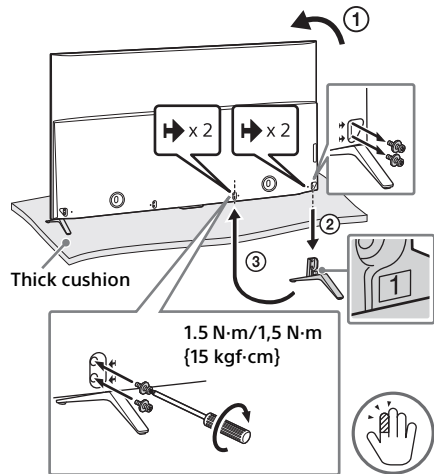
You can change the Table-Top Stand from the edge to the middle position by referring to the instructions below.



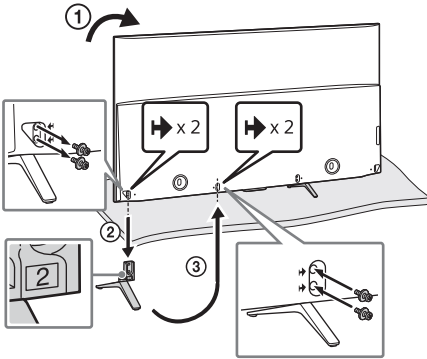
Note

- Two or more people are needed to carry out this installation.
- Be careful not to pinch the finger during installation.

1

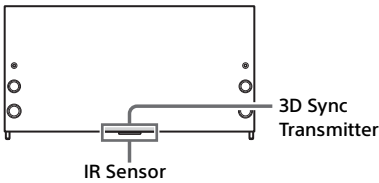


2



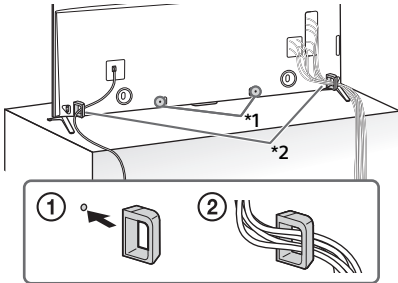
Note

- Two or more people are needed to carry out this installation.
- Ensure that there are no objects in front of the TV.

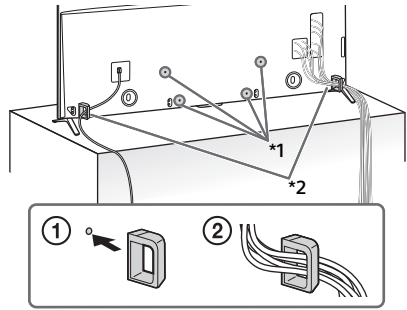


To bundle the cables

KD-75X9400C/65X9300C



KD-55X9300C



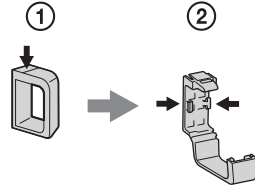
GB

*1 Location of cable clamer when the Table-Top Stand is attached to middle position.

*2 Location of cable clamer when the Table-Top Stand is attached to edge position.


Note

- To detach the cable clamer from the TV, press the top of the clamer ①, then pinch ② as illustrated.



Connecting the TV

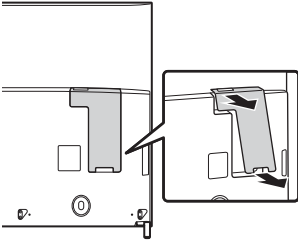
Note

- To select an input device connected to the TV, press .

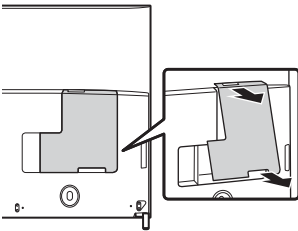
To detach the terminal cover

The terminal cover is factory-attached to the TV. Before connecting cables, remove the terminal cover.

KD-75X9400C/55X9300C



KD-65X9300C

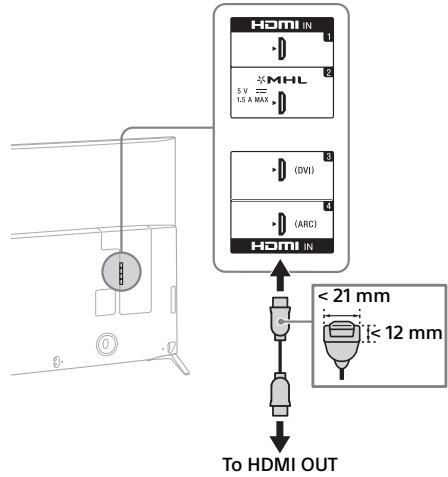


Note

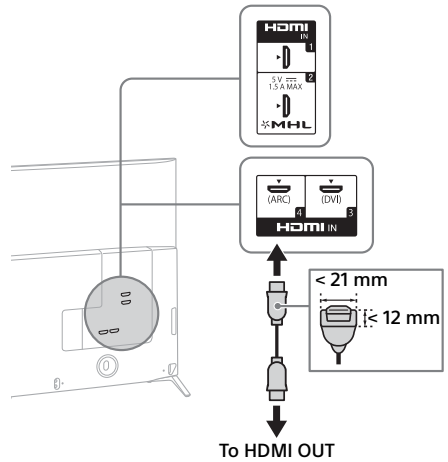
- After connecting all cables, re-attach the terminal cover to the TV.

To connect with an HDMI cable

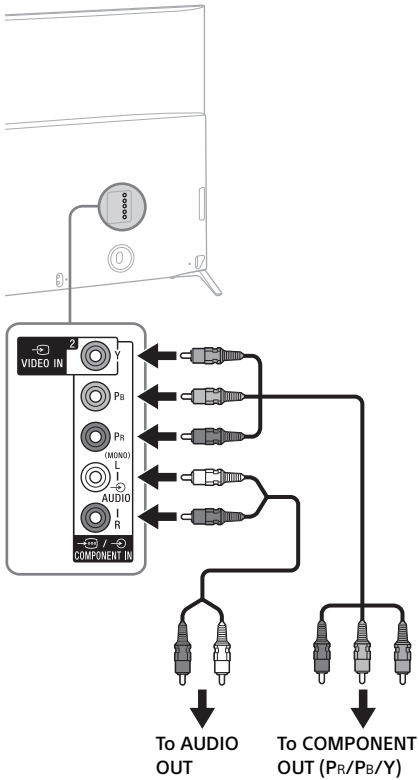
KD-75X9400C/55X9300C



KD-65X9300C

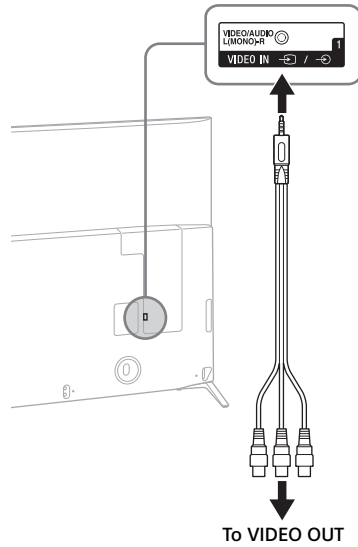


To connect with component cables

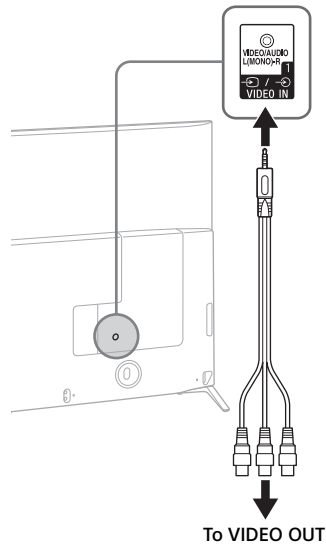


To connect with Analogue Extension Cable

KD-75X9400C/55X9300C

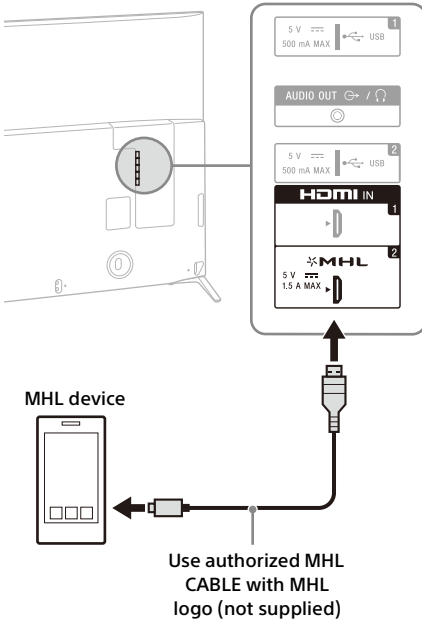


KD-65X9300C



To connect MHL device

KD-75X9400C/55X9300C

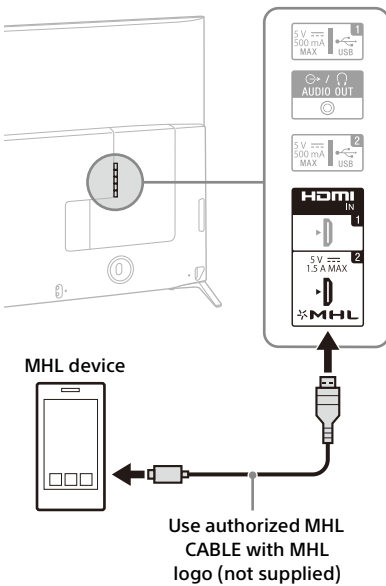


The TV simultaneously charges the MHL-compatible connected device while playing photo/music/video files. You can use the TV remote control to control the connected MHL-compatible device.

Note

- If [MHL charging during standby] is set to [On], you can continue charging the MHL-compatible device even when the TV is in standby mode.
- Use authorized MHL 3 CABLE with MHL logo for 4K smartphone or mobile devices.

KD-65X9300C



Picture Quality

- AV composite cable
- Antenna (aerial) cable
- Component cable
- HDMI cable



SD



Standard definition (SD) videos have picture signals with a vertical resolution of 480 (NTSC) or 576 (PAL/SECAM) lines.

4K/HD



High definition (HD) videos have picture signals with a vertical resolution of 720 or 1,080 lines. (For 4K vertical resolution: 2,160 lines)

GB

Installing the TV to the Wall

This TV's instruction manual only shows the steps on preparing the installation of the TV before installing to the wall.

To Customers:

For product protection and safety reasons, Sony strongly recommends that installation of your TV be performed by Sony dealers or licensed contractors. Do not attempt to install it yourself.

To Sony Dealers and Contractors:

Provide full attention to safety during the installation, periodic maintenance and examination of this product.

Sufficient expertise is required for installing this product, especially to determine the strength of the wall for withstanding the TV's weight. Be sure to entrust the attachment of this product to the wall to Sony dealers or licensed contractors and pay adequate attention to safety during the installation. Sony is not liable for any damage or injury caused by mishandling or improper installation.

Use the Wall-Mount Bracket SU-WL500 (not supplied) (KD-75X9400C) and SU-WL450 (not supplied) (KD-65/55X9300C) to install the TV to the wall.

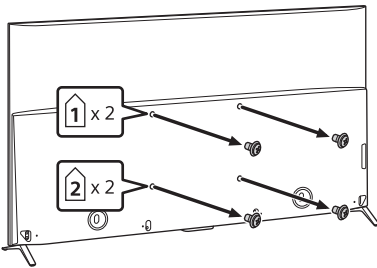
When installing the Wall-Mount Bracket, also refer to the Operating Instructions and Installation Guide supplied with the Wall-Mount Bracket.

Note

- Be sure to store the removed screws in a safe place, keeping them away from children.

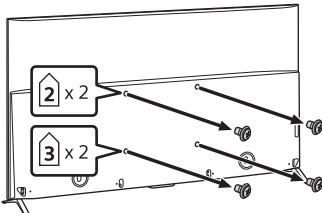
To remove the screws from the rear of the TV

KD-75X9400C/55X9300C

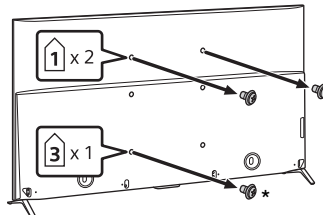


KD-65X9300C

Standard mounting



Super Slim (60) mounting

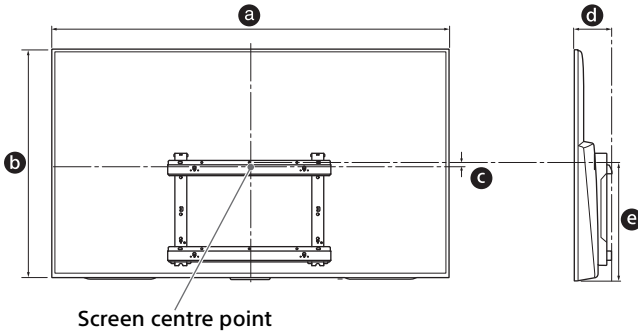


* Be sure to keep this screw. This screw is necessary when attaching the Attachment parts for Wall-Mount Bracket.

SU-WL500 (KD-75X9400C)

GB

1 Make sure that the wall has enough space for the TV and is capable of supporting a weight of at least four times that of the TV. Refer to the following table on installing the TV to the wall. See page 28 (Specifications) for the TV's weight.



Unit: mm

Model Name	Display dimensions		Screen centre dimension	Length for mounting	
	a	b		d	e
KD-75X9400C	1,929	991	41	170	543

Note

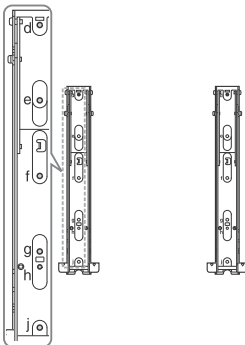
- Only applicable for 0° for this TV model.
- Figures in the table may differ slightly depending on the installation.

2 Install the TV on the wall.

Model Name	Screw location	Hook location
KD-75X9400C	e, j	a

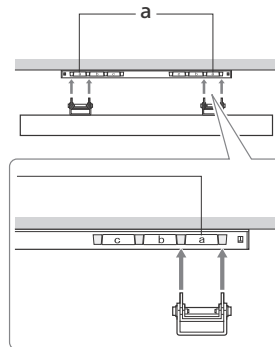
Screw location

When installing the Mounting Hook on the TV.



Hook location

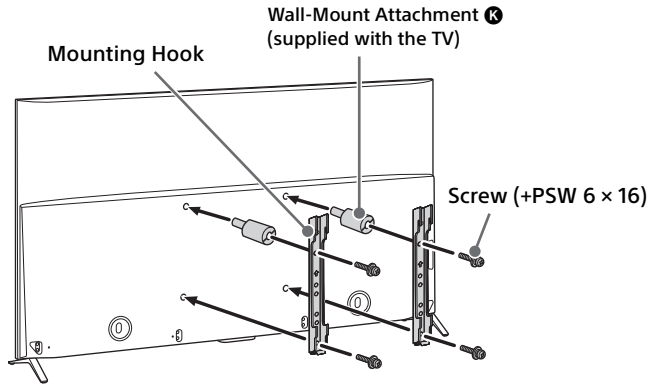
When installing the TV onto the Base Bracket.



3 Attach the Mounting Hook using the four screws supplied with the Wall-Mount Bracket.

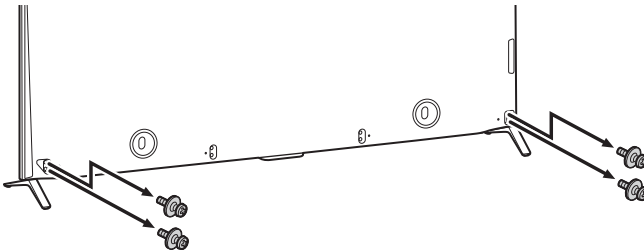
Note

- Be sure to fasten the Wall-Mount Attachment when attaching them to the TV.
Use only a flat head screwdriver to install the Wall-Mount Attachment. Use of another tool might result in over-torquing the Wall-Mount Attachment and damaging the TV.
- If using an electric screwdriver, set the torque at approximately 1.5 N·m (15 kgf·cm).
- Be sure to store the unused parts in a safe place for future use. Retain this manual for future reference.



4 Connect necessary cables to the TV.

5 Detach the Table-Top Stand from the TV.



Note

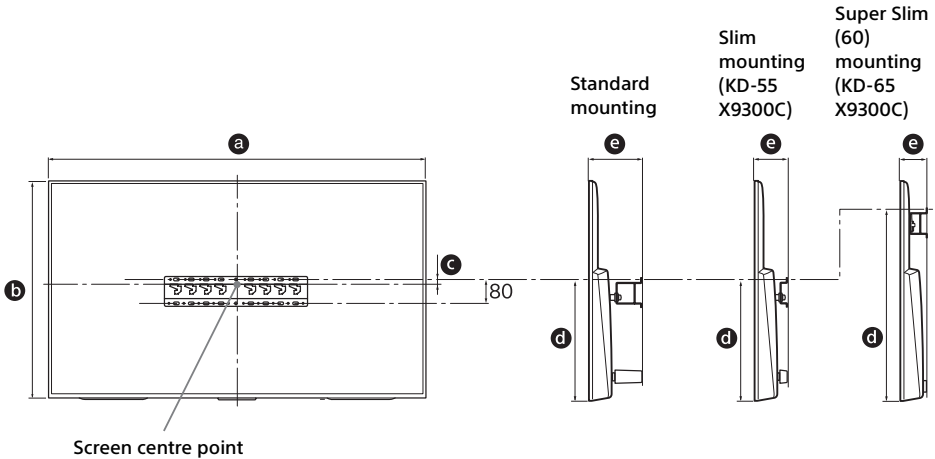
- When attaching the Table-Top Stand again, be sure to fasten the screws (previously removed) to the original holes on the rear of the TV.



Refer to the instructions supplied with the Wall-Mount Bracket for your model to install the TV on the wall.

SU-WL450 (KD-65/55X9300C)

- 1 Make sure that the wall has enough space for the TV and is capable of supporting a weight of at least four times that of the TV.
Refer to the following table on installing the TV to the wall. See page 28 (Specifications) for the TV's weight.



Unit: mm

Model Name KD-	Display dimensions		Screen centre dimension	Length for mounting	
	a	b	c	d	e
65X9300C (Standard mounting)			71	513	153
65X9300C (Super Slim (60) mounting)	1,706	871	251	693	103
55X9300C (Standard mounting)					153
55X9300C (Slim mounting)	1,484	744	149	528	111

Note

- Figures in the table may differ slightly depending on the installation.
- When your TV is installed on the wall, the upper side of the TV slightly leans forward.

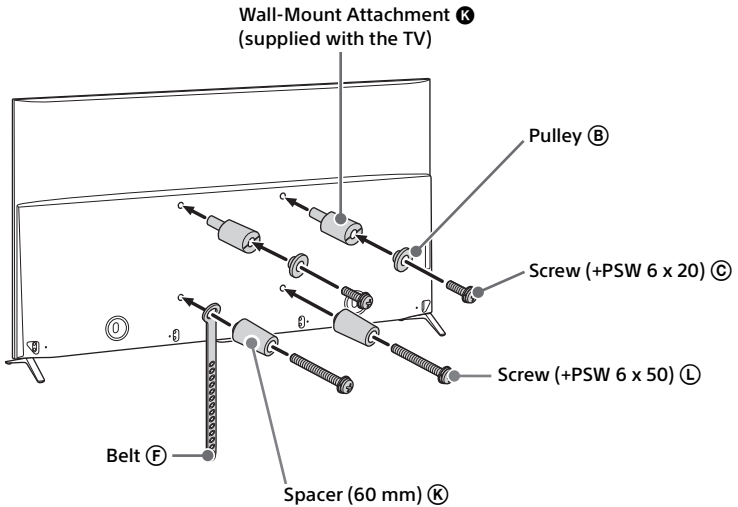
GB

2 Attach the Attachment parts for Wall-Mount Bracket. Check the Attachment parts by referring to "1" of the Wall-Mount Bracket Installation Guide.

Note

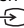

- Be sure to fasten the Wall-Mount Attachment when attaching them to the TV.
Use only a flat head screwdriver to install the Wall-Mount Attachment. Use of another tool might result in over torquing the Wall-Mount Attachment and damaging the TV.
- If using an electric screwdriver, set the torque at approximately 1.5 N·m {15 kgf·cm}.
- Be sure to store the unused parts in a safe place for future use. Retain this manual for future reference.

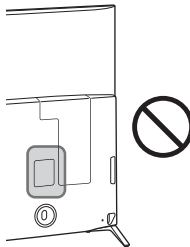
Standard mounting



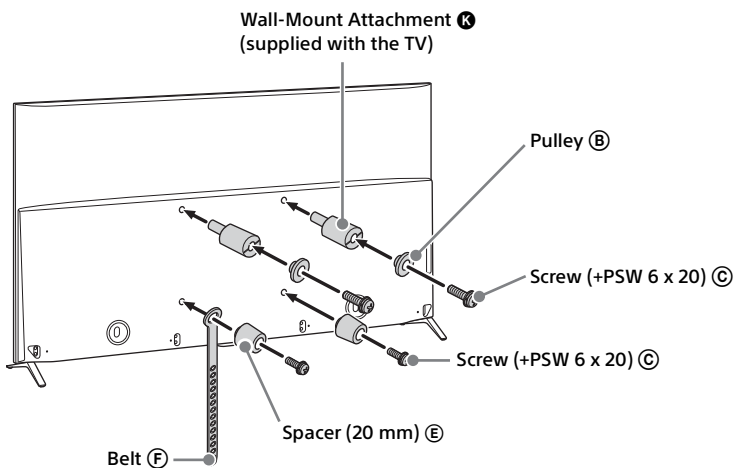
Slim mounting (KD-55X9300C), Super Slim (60) mounting (KD-65X9300C)

Note

- You cannot use some of the terminals on the rear of the TV when using this mounting style. Connect the Analogue Extension Cable if you need to use the  /  VIDEO IN 1 jack.



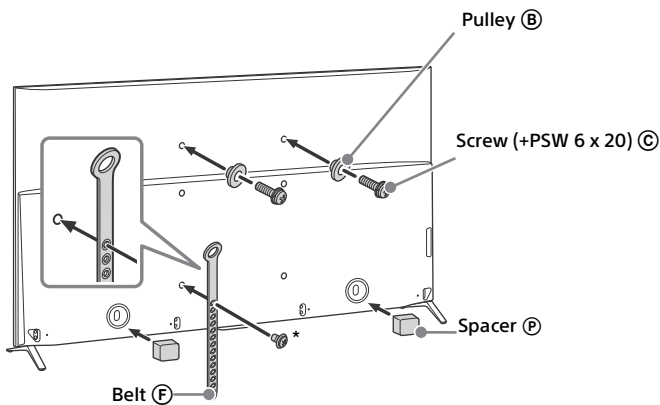
Slim mounting (KD-55X9300C)



GB

Super Slim (60) mounting (KD-65X9300C)

* Attach Belt (F) with the removed screw (see page 18) using the top hole on the Belt.

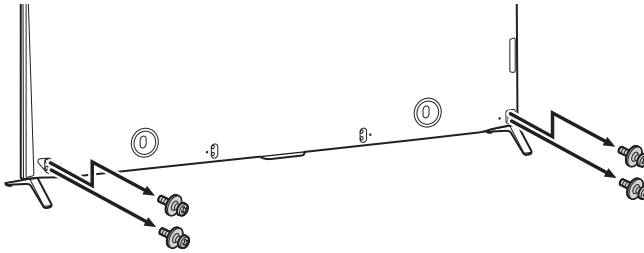


3 Connect necessary cables to the TV.

Note

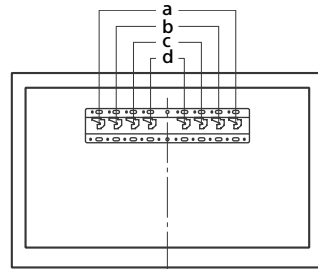
- You cannot access to any terminal after installing the TV to the wall.

4 Detach the Table-Top Stand from the TV.

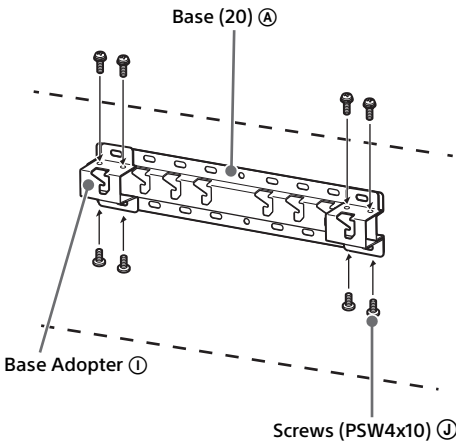


5 Install the TV to the Base. Refer to "5" of Installation Guide and "Installing the TV to the Wall" of Operating Instructions supplied with the Wall-Mount Bracket.

Model Name KD-	Hook location
65X9300C(*)	a
55X9300C	b



* When you select Super Slim (60) mounting, attach the Base Adopter ① (supplied with the Wall-Mount Bracket) to Base (20) ② (supplied with the Wall-Mount Bracket) (KD-65X9300C only).



Refer to the instructions supplied with the Wall-Mount Bracket for your model to install the TV on the wall.

Troubleshooting

In order to keep your TV software up-to-date, it is necessary to download the latest software information via the digital broadcasting system or internet and to update the software. Select [Update Now] to start a software update. The illumination LED flashes white while the software is updating. Do not unplug the AC power cord during the software update. If you do, the software update may not finish completely, and it may cause a software malfunction. Software updates can take up to 30 minutes. If you do not wish to update the software automatically, press **HOME** and select [Help] → [System software update] → [Automatic software download] → [Off].

When you unplug the TV and plug it in again, the TV may not be able to turn on for a while even if you press the power button on the remote control or the TV because it takes time to initialize the system. Wait for about 10 to 20 seconds, then operate it again.

When the illumination LED is flashing in red, count how many times it flashes (interval time is three seconds).

If the illumination LED flashes red, reset the TV by disconnecting the mains lead for two minutes, then turn on the TV.

If the problem persists, contact your dealer or Sony service centre with the number of times the illumination LED flashes red (interval time is three seconds). Disconnect the mains lead, and inform your dealer or Sony service centre.

When the illumination LED is not flashing, check the items as follows.

You can also refer to [Troubleshooting] in the Help Guide or perform self-diagnosis by selecting [Help] → [Self diagnostics]. If the problem persists, have your TV serviced by qualified service personnel.

Troubles and Solutions

There is no picture (screen is dark) and no sound.

- Check the antenna (aerial)/cable connection.
- Connect the TV to the AC power (mains), and press **⏻** on the TV or remote control.

Some programmes cannot be tuned.

- Check the antenna (aerial)/cable connection.

The remote control does not function.

- Replace the batteries.

The [Parent lock] password has been forgotten.

- Enter 9999 for the PIN code. (PIN code 9999 is always accepted.)

The TV surrounds become warm.

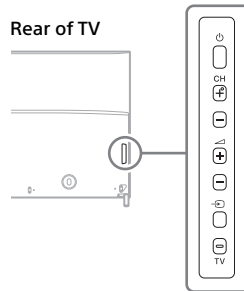
- When the TV is used for an extended period, the TV surrounds become warm.
You may feel hot when touching there by the hand.

Frozen audio or video, a blank screen, or the TV does not respond to TV or remote control buttons.

- Perform a simple reset of the TV by unplugging the AC power cord (mains lead) for two minutes, then plug it in again.

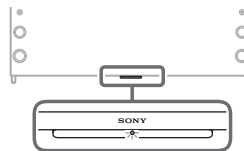
The **⏻, **CH+/-**, **⏪ +/-**, **⏩ +/-** and **TV** buttons cannot be located on the TV.**

- See below illustration for location of the buttons on the TV.



The illumination LED is turned on.

- If you do not wish to light up the illumination LED, you can turn it off.
Press **HOME**, then select [Settings] → [Illumination LED] → [Off].



Cannot connect to a wireless router by WPS (Wi-Fi Protected Setup).

- If you use WEP security, select [Easy] → [Wi-Fi] → [Connect by scan list]. Then, select the network name (SSID) you want to connect.

Cannot find the required network name in network setup.

- Select [[Manual entry]] and press ⊕ to enter network name.

Specifications

System

Panel system

LCD (Liquid Crystal Display) Panel, LED Backlight

TV system

Analogue: B/G, I, D/K, M: Depend on your country/area selection.

Digital: DVB-T/DVB-T2: Depend on your country/area selection.

Colour/video system

Analogue: PAL, SECAM, NTSC3.58, NTSC4.43

Digital: Refer to the Help Guide

Channel coverage

Analogue: UHF/VHF/Cable, Depending on your country/area selection.

Digital: UHF/VHF, Depending on your country/area selection.

Sound output

12.5 W + 12.5 W + 12.5 W + 12.5 W + 20 W + 20 W

Wireless technology

Protocol IEEE802.11ac/a/b/g/n

(IEEE802.11ac may not be available depending on countries/regions.)

Bluetooth Version 4.1

Input/Output jacks

Antenna (aerial)/cable

75 ohm external terminal for VHF/UHF

 /  VIDEO IN 1

Video/Audio input (mini jack)

 /  COMPONENT IN

YPbPr (Component Video): 1080p (50, 60 Hz), 1080i (50, 60 Hz), 720p (50, 60 Hz), 576p, 576i, 480p, 480i

Audio input (phono pin jack)

 VIDEO IN 2

Video input (common phono pin with Y input)

HDMI IN 1, 2, 3, 4 (support 4K resolution)

Video (2D):

4096 × 2160p (50, 60 Hz)^{*1*}, 4096 × 2160p (24 Hz)^{*2}, 3840 × 2160p (50, 60 Hz)^{*1}, 3840 × 2160p (24, 25, 30 Hz), 1080p (30, 50, 60 Hz), 1080/24p, 1080i (50, 60 Hz), 720p (30, 50, 60 Hz), 720/24p, 576p, 576i, 480p, 480i, PC Formats

*1 YCbCr 4:2:0 / 8bit only

*2 3840 × 2160p is displayed when 4096 × 2160p is input

Video (3D):

Frame Packing: 1080p (30 Hz), 1080/24p, 1080i(50, 60 Hz), 720p (30, 50, 60 Hz), 720/24p
Side-by-Side: 1080p (50, 60 Hz), 1080/24p, 1080i(50, 60 Hz), 720p (50, 60 Hz)

Over-Under: 1080p (30, 50, 60 Hz), 1080/24p, 1080i (50, 60 Hz), 720p (50, 60 Hz)
Audio: 5.1 channel linear PCM: 32, 44.1, 48, 88.2, 96, 176.4 and 192 kHz, 16, 20 and 24 bits, Dolby Digital and DTS
ARC (Audio Return Channel) (HDMI IN 4 only)

MHL (HDMI IN 2)

Video (2D):

4096 × 2160p (24 Hz)*, 3840 × 2160p (24, 25, 30 Hz), 1080p (30, 50, 60 Hz), 1080/24p, 1080i (50, 60 Hz), 720p (30, 50, 60 Hz), 720/24p, 576p, 576i, 480p, 480i

* 3840 × 2160p is displayed when 4096 × 2160p is input

Video (3D):

Frame Packing: 1080p (30 Hz), 1080/24p, 1080i (50, 60 Hz), 720p (30, 50, 60 Hz), 720/24p
Side-by-Side: 1080p (50, 60 Hz), 1080/24p, 1080i (50, 60 Hz), 720p (50, 60 Hz)

Over-Under: 1080p (50, 60 Hz), 1080p (30 Hz), 1080/24p, 1080i (50, 60 Hz), 720p (50, 60 Hz)

Audio: 5.1 channel linear PCM: 32, 44.1, 48, 88.2, 96, 176.4 and 192 kHz, 16, 20 and 24 bits, Dolby Digital and DTS

Ⓞ DIGITAL AUDIO OUT (OPTICAL)

Digital optical jack (Two channel linear PCM, Dolby Digital, DTS)

Ⓜ HDMI 3 AUDIO IN

Analogue audio input (Stereo mini jack)

AUDIO OUT (Stereo mini jack)

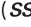
Headphone, Audio Output, Subwoofer

1, 2, 3 (Except Australia and New Zealand model)

USB port 1 and 2 support High Speed USB (USB2.0).

USB port 3 supports Super Speed USB (USB3.0)

1, 2, 3 (HDD REC)*, (Australia and New Zealand model only)

USB device port ( 3 USB HDD device for REC feature).

USB port 1 and 2 support High Speed USB (USB2.0).

USB port 3 supports Super Speed USB (USB3.0)

* Only on limited region/country/TV model.

LAN

10BASE-T/100BASE-TX connector (Depending on the operating environment of the network, connection speed may differ. 10BASE-T/100BASE-TX communication rate and communication quality are not guaranteed for this TV.)

Others

Optional accessories

Wall-Mount Bracket:

SU-WL 500 (KD-75X9400C), SU-WL450 (KD-65/55X9300C)

Wireless subwoofer: SWF-BR100

MHL cable: DLC-MC10, DLC-MC20, DLC-MC30

Active 3D Glasses: TDG-BT500A



Operating temperature

0 °C – 40 °C

Power and others

Power requirements

110 V - 240 V AC, 50/60 Hz

Screen size (measured diagonally) (Approx.)

KD-75X9400C: 75 inches / 189.3 cm

KD-65X9300C: 65 inches / 163.9 cm

KD-55X9300C: 55 inches / 138.8 cm

Display resolution

3,840 pixels (horizontal) × 2,160 lines (vertical)

Power consumption

Indicated on the rear of the TV

Output Rating

USB 1/2: 5 V, 500 mA MAX

USB 3: 5 V, 900 mA MAX

MHL (HDMI IN 2): 5 V, 1.5 A MAX

Dimensions (Approx.) (w × h × d)

with Table-Top Stand

Edge position:

KD-75X9400C: 1,929 × 1,041 × 322 mm

KD-65X9300C: 1,706 × 911 × 292 mm

KD-55X9300C: 1,484 × 780 × 255 mm

Middle position:

KD-75X9400C: 1,929 × 1,048 × 322 mm

KD-65X9300C: 1,706 × 919 × 292 mm

KD-55X9300C: 1,484 × 787 × 255 mm

without Table-Top Stand

KD-75X9400C: 1,929 × 991 × 110 mm

KD-65X9300C: 1,706 × 871 × 90 mm

KD-55X9300C: 1,484 × 744 × 90 mm

Stand width (Approx.)

Edge position:

KD-75X9400C: 1,910 mm

KD-65X9300C: 1,690 mm

KD-55X9300C: 1,468 mm

Middle position:

KD-75X9400C: 707 mm

KD-65X9300C: 607 mm

KD-55X9300C: 607 mm

Mass (Approx.)

with Table-Top Stand

KD-75X9400C: 56.8 kg

KD-65X9300C: 48.0 kg

KD-55X9300C: 37.9 kg

without Table-Top Stand

KD-75X9400C: 56.0 kg

KD-65X9300C: 47.3 kg

KD-55X9300C: 37.3 kg

Note

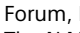
- Optional accessories availability depends on countries/region/TV model/stock.
- Design and specifications are subject to change without notice.
- This TV set incorporates MHL 3.

Notes on Digital TV function

- Any functions related to Digital TV (**DVB**) will only work in countries or areas where DVB-T/DVB-T2 (MPEG-2 and H.264/MPEG-4 AVC) digital terrestrial signals are broadcast. Please confirm with your local dealer if you can receive a DVB-T/DVB-T2 signal where you live.
- This TV set complies with DVB-T/DVB-T2 specifications, but compatibility with future DVB-T/DVB-T2 digital terrestrial broadcasts are not guaranteed.
- Some Digital TV functions may not be available in some countries/areas.

Trademark information

- The terms HDMI and HDMI High-Definition Multimedia Interface, and the HDMI Logo are trademarks or registered trademarks of HDMI Licensing LLC in the United States and other countries.
- Manufactured under license from Dolby Laboratories. Dolby and the double-D symbol are trademarks of Dolby Laboratories.
- "BRAVIA" and BRAVIA are trademarks of Sony Corporation.
- Gracenote, Gracenote eyeQ, Gracenote VideoID, Gracenote Video Explore, the Gracenote logo and logotype, and the "Powered by Gracenote" logo are either registered trademarks or trademarks of Gracenote in the United States and/or other countries.
- Opera® Devices SDK from Opera Software ASA. Copyright 1995-2015 Opera Software ASA. All rights reserved.
- Wi-Fi, Wi-Fi Direct, Miracast and Wi-Fi Protected Setup are trademarks or registered trademarks of Wi-Fi Alliance.

- MHL, Mobile High-Definition Link and the MHL Logo are trademarks or registered trademarks of MHL Licensing, LLC.
- For DTS patents, see <http://patents.dts.com>. Manufactured under license from DTS, Inc. DTS, the Symbol, & DTS and the Symbol together are registered trademarks, and DTS Digital Surround is a trademark of DTS, Inc. © DTS, Inc. All Rights Reserved.
- Designed with UEI Technology™ Under License from Universal Electronics Inc. Portions © UEI 2000 – 2014
- The Bluetooth® word mark and logos are owned by the Bluetooth SIG, Inc. and any use of such marks by Sony Corporation is under license. Other trademarks and trade names are those of their respective owners.
- TUXERA is a registered trademark of Tuxera Inc. in the US and other countries.
- USB-IF SuperSpeed USB Trident logo is a registered trademark of USB Implementers Forum, Inc. 
- The N Mark is a trademark or registered trademark of NFC Forum, Inc. in the United States and in other countries.





GB



4K
Actual resolution:
3840 x 2160 pixels.





Customer Support and Contact:

<http://www.sony-asia.com/support>

<http://www.sony.net/>

©2016 Sony Corporation Printed in Malaysia



* 4 5 6 2 0 9 1 1 4 * (1)

4-562-091-14(1)