

CD Radio Cassette-Corder

Operating Instructions page 2^{GB}

GB

Manual de instrucciones página 2^{ES}

ES

***CFD-W57
CFD-W57L***

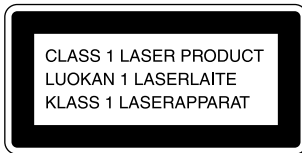
Warning

To prevent fire or shock hazard, do not expose the player to rain or moisture.

To avoid electrical shock, do not open the cabinet. Refer servicing to qualified personnel only.

Information

For customers in Europe



This Compact Disc player is classified as a CLASS 1 LASER product.



The CLASS 1 LASER PRODUCT label is located on the bottom exterior.

Warning

Do not install the appliance in a confined space, such as a bookcase or built-in cabinet.

Notice for customers in the United Kingdom

A moulded plug complying with BS 1363 is fitted to this equipment for your safety and convenience.

Should the fuse in the plug supplied need to be replaced, same rating fuse approved by ASTA or BSI to BS 1362, (i.e. marked with  or  mark) must be used.

If the plug supplied with this equipment has a detachable fuse cover, be sure to attach the fuse cover after you change the fuse. Never use the plug without the fuse cover. If you should lose the fuse cover, please contact your nearest Sony service station.

About this manual

The instructions in this manual are for the CFD-W57 and CFD-W57L. Before you start reading, check your model number. The CFD-W57L is the model used for illustration purpose.

Note

The name of the switch to turn on/off this player is indicated as below:

“OPERATE”: European countries (excluding central and eastern Europe)

“POWER”: Other countries

Table of contents

Basic Operations

- 4 Playing a CD
 - 6 Listening to the radio
 - 8 Playing a tape
 - 10 Recording on a tape
-

The CD Player

- 12 Using the display
- 13 Locating a specific track
- 14 Playing tracks repeatedly (Repeat Play)
- 15 Playing tracks in random order (Shuffle Play)
- 16 Creating your own program (Program Play)
- 18 Enjoying sound effects (LOOP/FLASH)

The Radio

- 19 Presetting radio stations
- 20 Playing preset radio stations

The Timer

- 21 Setting the clock
- 22 Waking up to music
- 24 Falling asleep to music

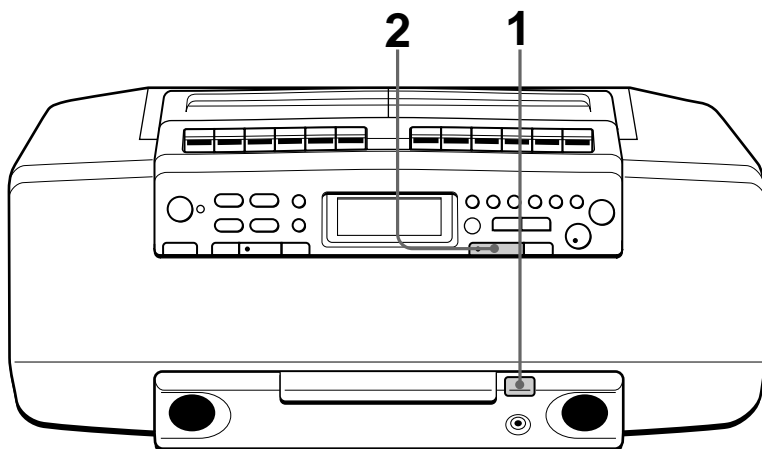
Setting Up

- 25 Choosing the power sources
- 28 Selecting the audio emphasis (Sound Mode/MEGA BASS)

Additional Information

- 29 Precautions
- 31 Troubleshooting
- 33 Maintenance
- 34 Specifications
- 35 Index

Playing a CD



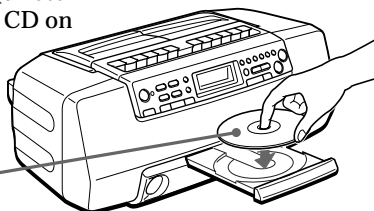
Connect the supplied AC power cord (see page 25).

1



Press OPEN/CLOSE (direct power-on) and place the CD on the CD tray.

With the label side up



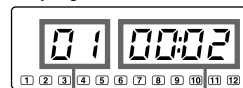
2



Press . (Press on the remote.)

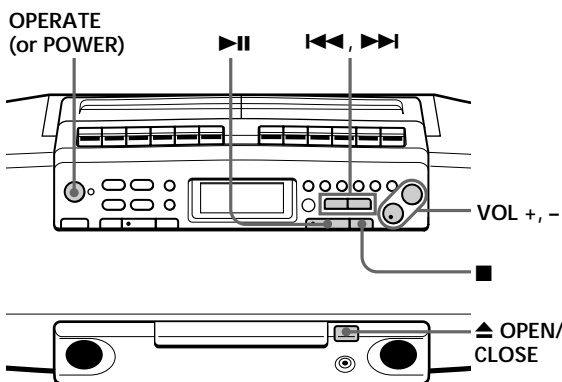
The CD tray closes and the player plays all the tracks once.

Display



Track number Playing time

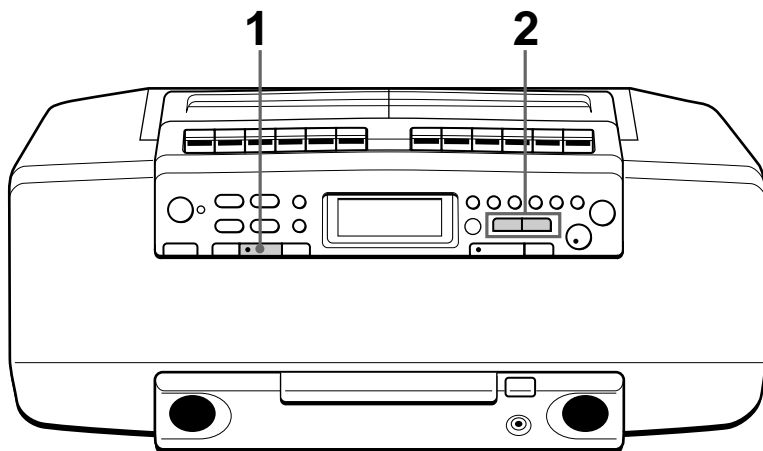
Use these buttons for additional operations

**Tip**

Next time you want to listen to a CD, just press ►||. The player turns on automatically and starts playing the CD.

To	Press
adjust the volume	VOL +, -
stop playback	■
pause playback	► (on the remote) Press the button again to resume play after pause.
go to the next track	►►
go back to the previous track	◄◄
remove the CD	▲ OPEN/CLOSE
turn on/off the player	OPERATE (or POWER, see page 2)

Listening to the radio



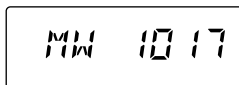
Connect the supplied AC power cord (see page 25).

1



Press **BAND** until the band you want appears in the display (direct power-on).

Display



2



Hold down **TUNING/TIME SET** + or - (TUNE + or - on the remote) until the frequency digits begin to change in the display.

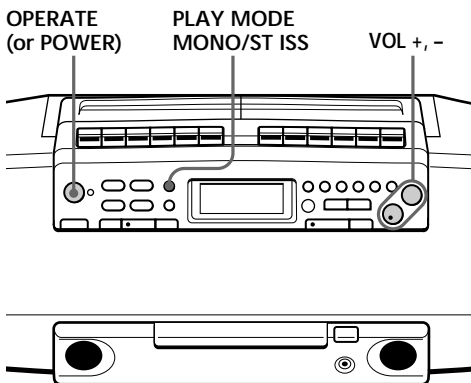
The player automatically scans the radio frequencies and stops when it finds a clear station.

If you can't tune in a station, press the button repeatedly to change the frequency step by step.

Indicates an FM stereo broadcast



Use these buttons for additional operations



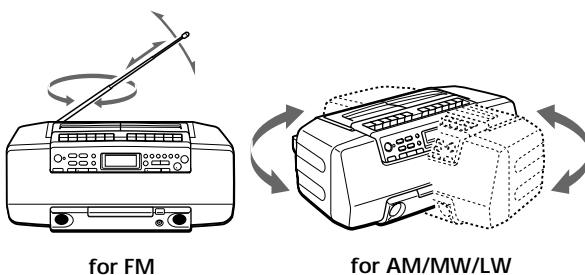
Tips

- If the FM broadcast is noisy, press **PLAY MODE • MONO/ST ISS** until "Mono" appears in the display and the radio will play in monaural.
- Next time you want to listen to the radio, just press **BAND**. The player turns on automatically and starts playing the previous station.
- *CFD-W57 only:*
If you need to change the AM tuning interval (preset to 9 kHz at the factory), see page 26.

To	Press
adjust the volume	VOL +, -
turn on/off the radio	OPERATE (or POWER, see page 2)

To improve broadcast reception

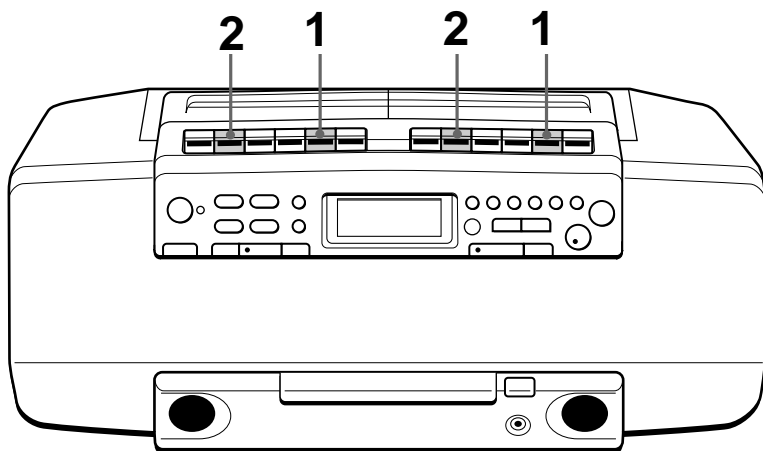
Reorient the antenna for FM. Reorient the player itself for AM or MW/LW.



for FM

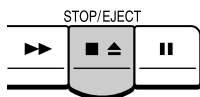
for AM/MW/LW

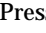
Playing a tape



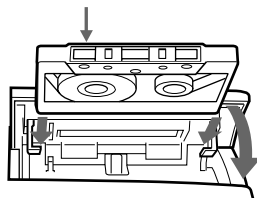
Connect the supplied AC power cord (see page 25).

1

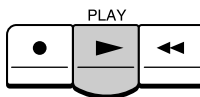



Press  to open the tape compartment and insert a recorded tape. Use TYPE I (normal) tape only. Close the compartment.

With the side you want to play facing upward



2

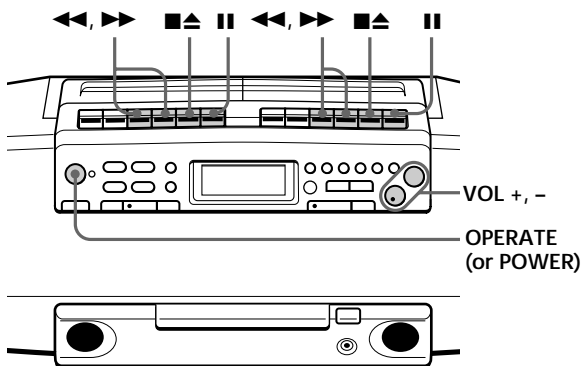


Press .
The player turns on (direct power-on) and starts playing.

Display

TAPE

Use these buttons for additional operations



Note

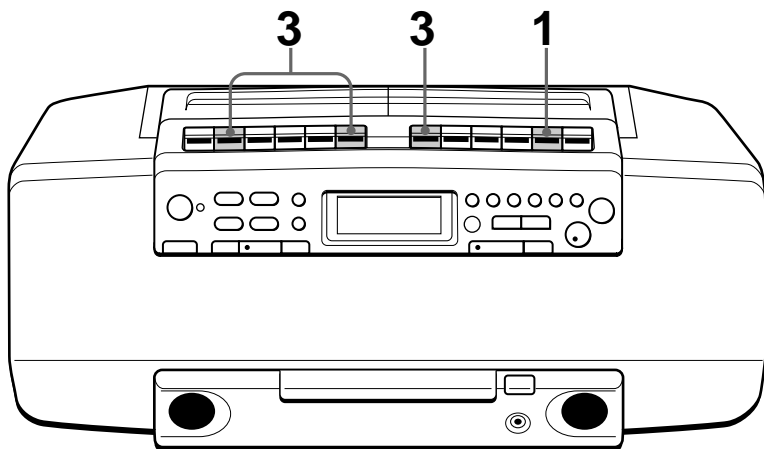
During playback, do not press buttons on the other deck. Otherwise the playback speed may change.

Tip

Next time you want to listen to a tape, just press ►. The player turns on automatically and starts playing the tape.

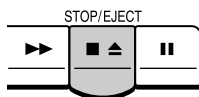
To	Press
adjust the volume	VOL +, -
stop playback	■▲
fast-forward or rewind the tape	▶▶ or ◀◀
pause playback	 Press the button again to resume play after pause.
eject the cassette	■▲
turn on/off the player	OPERATE (or POWER, see page 2)


Recording on a tape



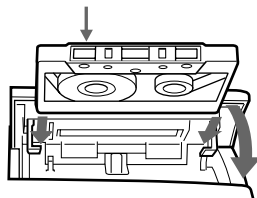
Connect the supplied AC power cord (see page 25).

1



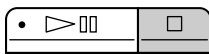
Press  to open the tape compartment on deck B and insert a blank tape. Use TYPE I (normal) tape only.


With the side you want to record on facing upward



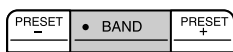
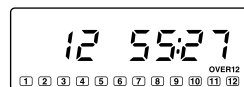
2

Select the program source you want to record.

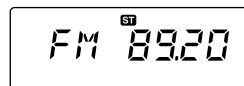


To record from the CD player, insert a CD (see page 4) and press  on the CD section.

Display

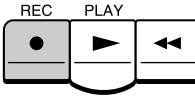


To record from the radio, press BAND and tune in the station you want (see page 6).



To record from the tape, insert a recorded tape into deck A (see page 8).

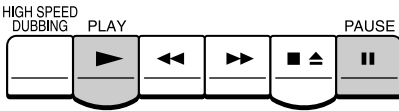
3 Deck B



Start recording.

To record from the CD player and the radio, press ● on deck B (▶ is depressed automatically).

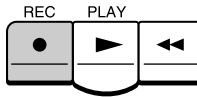
Deck A



To record from the tape, press ▬ and ▶ on deck A. (For high speed dubbing, press ▬ and HIGH SPEED DUBBING.)

Then press ● on deck B (▶ is depressed automatically).

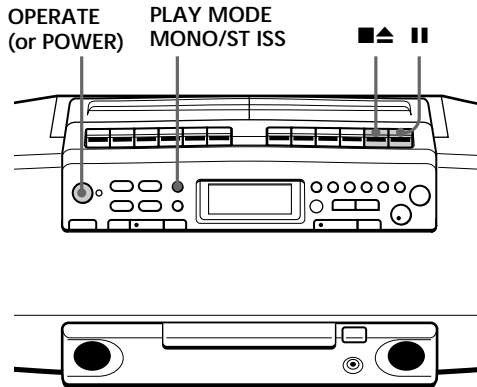
Deck B



Tips

- Adjusting the volume or the audio emphasis (see page 28) will not affect the recording level.
- If the AM or MW/LW program makes a whistling sound after you've pressed ● in step 3, press PLAY MODE • MONO/ST ISS (Interference Suppress switch) repeatedly until the noise is at a minimum.
- For the best results, use the AC power as a power source.
- To erase a recording, proceed as follows:
 - 1 Insert the tape whose recording you want to erase into deck B.
 - 2 Press ● on deck B.

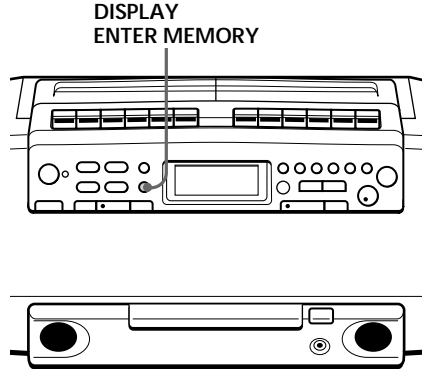
Use these buttons for additional operations



To	Press
stop recording	■▲ on deck B
pause recording	▬▬ on deck B Press the button again to resume recording.
turn on/off the player	OPERATE (or POWER, see page 2)

Using the display

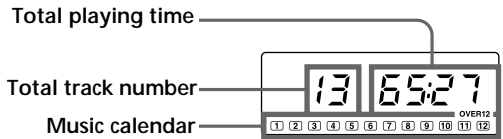
You can check information about the CD using the display.



Checking the total track number and playing time

Check the display in stop mode.

If the CD has more than 12 tracks, "OVER 12" appears in the display.



Checking the remaining time

Press DISPLAY•ENTER MEMORY while playing a CD.

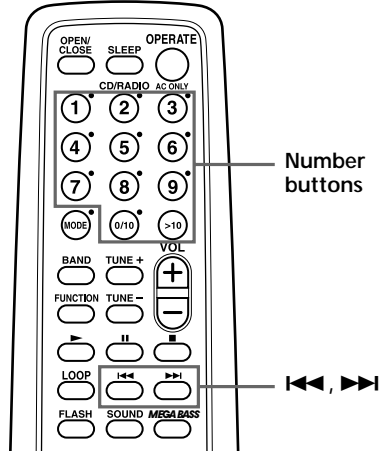
The track numbers in the music calendar disappear after they are played.

To display	Press DISPLAY•ENTER MEMORY
the current track number and the remaining time on the current track*	once
remaining time on the CD and the number of tracks left	twice
the current track number and playing time	three times

* For a track whose number is more than 20 the remaining time appears as "--:--".

Locating a specific track

You can quickly locate any track using the number buttons. You can also find a specific point in a track while playing a CD.



Note

You cannot locate a specific track if “SHUF” or “PGM” is lit in the display. Turn off the indication by pressing ■.

Tip

When you locate a track numbered over 10, press >10 first, then the corresponding number buttons.

Example:

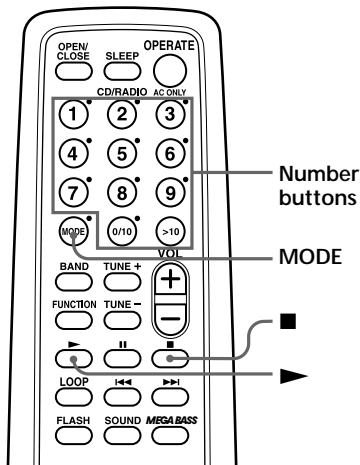
To play track number 23, press >10 first, then 2 and 3.

To locate	Press
a specific track directly	the number button of the track
a point while listening to the sound	▶▶ (forward) or ◀◀ (backward) while playing and hold down until you find the point
a point while observing the display	▶▶ (forward) or ◀◀ (backward) in pause and hold down until you find the point

Playing tracks repeatedly

(Repeat Play)

You can play tracks repeatedly in normal, shuffle or program play modes (see page 16).



- 1 Press ■.
- “Cd” appears in the display.
- 2 Press MODE (PLAY MODE • MONO/ST ISS on the player) until the repeat mode you want appears in the display.

To repeat	Select
a single track	REP 1
all the tracks	REP ALL
tracks in random order	SHUF REP
programed tracks	PGM REP

- 3 Do either of the following to start repeat play:
 - When you’ve selected REP1, select the track by pressing the number button (pressing ◀◀ or ▶▶ then ▶|| on the player).
 - When you’ve selected REP ALL or SHUF REP, press ▶ (▶|| on the player).
 - When you’ve selected PGM REP, program tracks (see step 3 on page 16), then press ▶ (▶|| on the player).

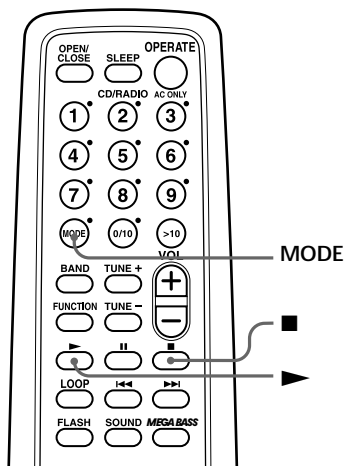
To cancel Repeat Play

Press MODE until “REP” disappears from the display.

Playing tracks in random order

(Shuffle Play)

You can play tracks in random order.



On the player

- 1 Press ■.
- 2 Press PLAY MODE• MONO/ST ISS repeatedly until "SHUF" appears in the display.
- 3 Press ►.

- 1 Press ■.

"Cd" appears in the display.

- 2 Press MODE until "SHUF" appears in the display.
- 3 Press ► to start shuffle play.

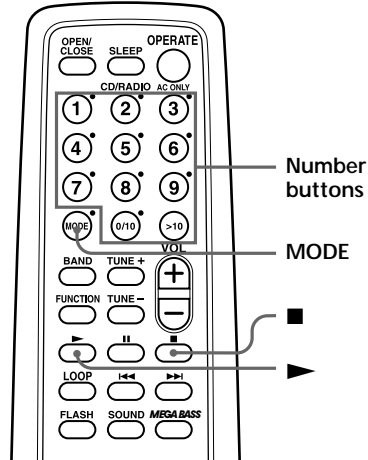
To cancel Shuffle Play

Press MODE until "SHUF" disappears from the display.

Creating your own program

(Program Play)

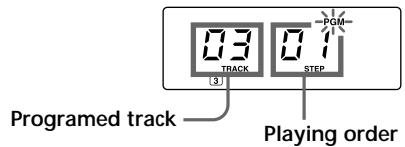
You can arrange the playing order of up to 20 tracks on a CD.



On the player

- 1 Press ■.
- 2 Press PLAY MODE • MONO/ST ISS until "PGM" appears in the display.
- 3 Press the ◀◀ or ▶▶ then press DISPLAY • ENTER MEMORY for the tracks you want to program in the order you want.
- 4 Press ▶▶.

- 1 Press ■.
"Cd" appears in the display.
- 2 Press MODE until "PGM" appears in the display.
- 3 Press the number buttons for the tracks you want to program in the order you want.



The programmed tracks appear in the music calendar.

- 4 Press ▶▶ to start program play.

Tips

- You can play the same program again, since the program is saved until you open the CD tray.
- You can record your own program. After you've created the program, insert a blank tape into deck B and press ● to start recording.

To cancel Program Play

Press MODE until "PGM" disappears from the display.

To check the order of tracks before play

Press DISPLAY • ENTER MEMORY on the player.

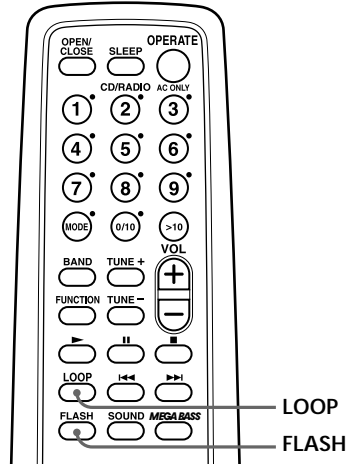
Every time you press the button, the track number appears in the programmed order.

To change the current program

Press ■ once if the CD is stopped and twice if the CD is playing. The current program will be erased. Then create a new program following the programming procedure.

Enjoying sound effects (LOOP/FLASH)

You can repeat part of a CD (LOOP) and can “flash” the CD sound (FLASH) during playback.



- 1** Play a CD.
- 2** Press and hold LOOP or FLASH at the point you want to start the function.

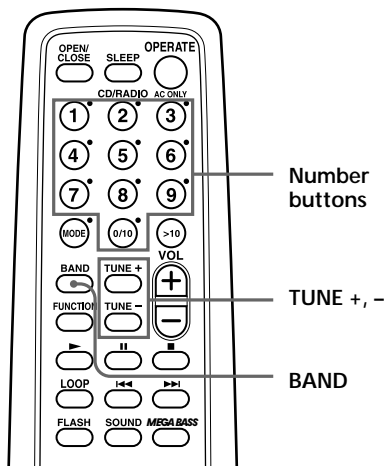
To	Press and hold
repeat a selected part of a CD	LOOP
“flash” the CD sound	FLASH

To cancel the LOOP or FLASH function
Release the button.

The player returns to normal play.

Presetting radio stations

You can store radio stations into the player's memory. You can preset up to 30 radio stations (CFD-W57L) or 20 radio stations (CFD-W57), 10 each for the band in any order.



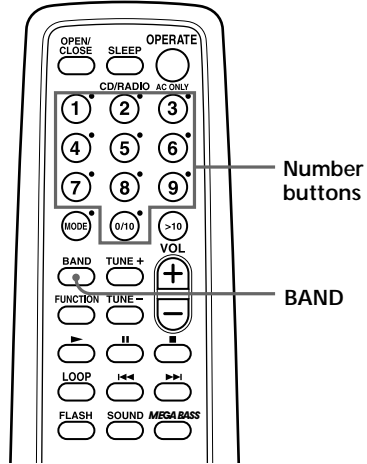
On the player

- 1 Press **BAND** to select the band.
- 2 Set the frequency to the station you want.
- 3 Hold down **DISPLAY•ENTER MEMORY** for 2 seconds.
- 4 Press **PRESET +** or **-** until the preset number (1 to 10) you want for the station flashes in the music calendar.
- 5 Press **DISPLAY•ENTER MEMORY** again.

- 1 Press **BAND** until the band you want appears in the display.
- 2 Set the frequency to the station you want.
- 3 Hold down the number buttons that you want to preset the new station on for 2 seconds.
The new station replaces the old one.

Playing preset radio stations

Once you've preset the stations, use the number buttons on the remote or PRESET +/ - on the player to tune in to your favorite stations.



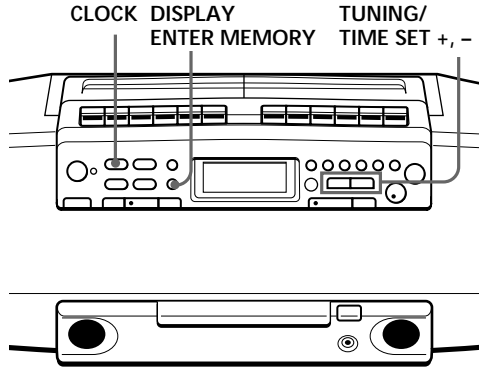
On the player

- 1 Press BAND to select the band.
- 2 Press PRESET + or - to tune in the stored station.

- 1 Press BAND to select the band.
- 2 Press the number buttons to tune in the stored station.

Setting the clock

“--:--” indication appears in the display until you set the clock.



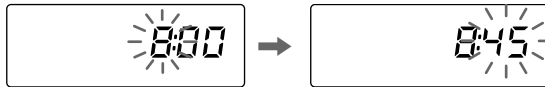
Tip
The time display system:
24-hour system

- 1** Press **CLOCK** for 2 seconds until the hour digit flashes.



- 2** Press **TUNING/TIME SET +** or **-** until you set the current hour. Then press **DISPLAY•ENTER MEMORY**.

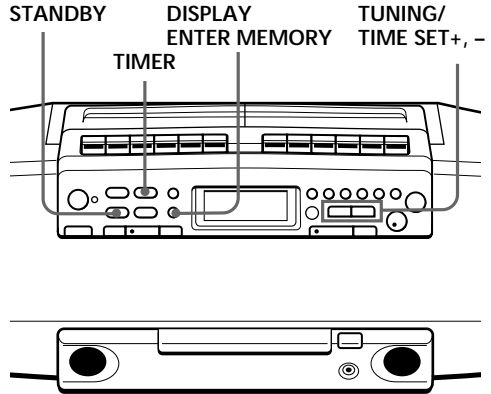
The minute digits flash. Set the minutes by pressing **TUNING/TIME SET +** or **-** until the correct minute is displayed.



- 3** Press **DISPLAY•ENTER MEMORY**.
The clock starts from 00 seconds.

Waking up to music

You can wake up to music or a radio program at a preset time. Make sure you have set the clock (“Setting the clock” on page 21).



Before you begin, make sure the ☹ (clock) indication is not lit in the display. If it is lit, press STANDBY.

1 Prepare the music source you want to play.

To play	Do this
the radio	Tune in a station
a CD	Insert a CD

2 Press TIMER.

The ☹ (clock) and the music source (“Cd” or “RADIO”) flash.

3 Select the music source (“Cd” or “RADIO”) by pressing TUNING/TIME SET + or -, then DISPLAY • ENTER MEMORY.

4 Set the timer to the hour you want the music to start by pressing TUNING/TIME SET + or -, then DISPLAY • ENTER MEMORY.



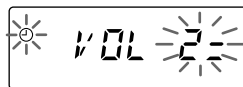
Set the minutes, then press DISPLAY • ENTER MEMORY.

5 Set the timer to the hour and the minutes you want the music to go off. (Do as step 4.)

Tips

- The display window does not light while the waking up timer is on.
- You can have the player go on the next day at the same time. Just press **STANDBY** until the ☺ indication appears in the display. The preset settings remain until you reset them.

- 6** Press **TUNING/TIME SET +** or **-** to set the volume, then **DISPLAY•ENTER MEMORY**.



- 7** Press **STANDBY**.

The ☺ indication lights up and the power goes off.

At the preset time, the power will go on, and the music will play. Then the power will go off at the preset time, and the player will enter into the standby mode.

To check/change when the playback will start

Press **TIMER**, then **DISPLAY•ENTER MEMORY**. Each time you press **DISPLAY•ENTER MEMORY**, a stored setting is displayed in the set order. To change the setting, display the setting you want to change and re-enter it.

To use the player before a timer playback starts

Just turn on the player, and then you can use it.

If you turn off the player before the preset time, timer playback will start at the preset time.

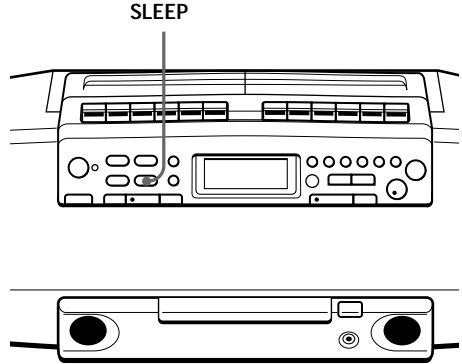
In case of the radio, however, if you listen to the station which is different from the one you tuned in in step 1 on page 22, you will hear that station at the preset time. Make sure to tune in the station you want to listen to before you turn off the player.

To stop play

Press **OPERATE** (or **POWER**).

Falling asleep to music

You can set the player to turn off automatically after 10, 20, 30, 60, 90, and 120 minutes, allowing you to fall asleep while listening to music.



Tips

- The display window does not light while the sleeping timer is on.
- You can fall asleep and wake up to different music. Set the waking up timer first (see page 22), turn on the power, and then set the sleeping timer. However, you cannot store different radio stations.

Note

When you are playing a tape using this function:

If the tape length of one side is longer than the set time, the player will not go off until the tape reaches the end.

- 1 Play the music source you want.
- 2 Press SLEEP to display "SLEEP."
- 3 Press SLEEP to select the minutes until the player goes off automatically.

Each time you press the button, the indication changes as follows: "60" → "90" → "120" → no indication → "10" → "20" → "30."

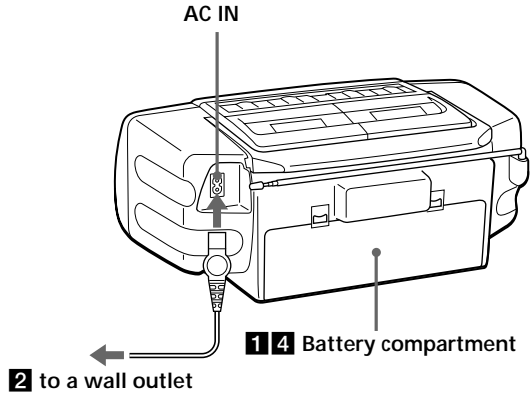


To cancel the sleep function

Press OPERATE (or POWER) to turn off the power.

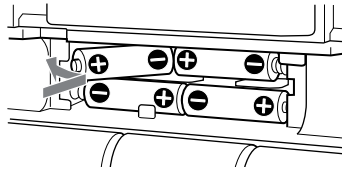
Choosing the power sources

You can use the AC power or batteries as a power source.



1 Inserting the back-up batteries

Insert four R6 (size AA) batteries (not supplied) into the battery compartment. These batteries work to save the memory data.



2 Connecting the AC power cord

Insert one end of the supplied AC power cord to the AC IN socket located at the rear of the player, and the other end to the wall outlet.

continued

Choosing the power sources (continued)

Changing the AM tuning interval (CFD-W57 only)

If you need to change the AM tuning interval (preset to 9 kHz at the factory), do the following:

1 Disconnect the AC power cord from the player.

Keep the cord connected to the wall outlet.

2 Take out all of the batteries from the battery compartment, including the back-up batteries.

3 Press POWER.

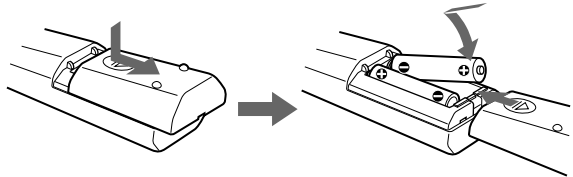
All of the indications disappear from the display.

4 While holding down BAND and PLAY MODE • MONO/ST ISS, connect the AC power cord to the player.

5 Insert the back-up batteries.

After changing the tuning interval, you need to reset your preset radio stations.

3 Inserting batteries into the remote



Insert two R6 (size AA) batteries (not supplied)

Replacing batteries

With normal use, the batteries should last for about six months. When the remote no longer operates the player, replace all the batteries with new ones.

Note

- When you operate the player on batteries,
- the backlight in the display does not light.
 - you cannot turn on the player using the remote.

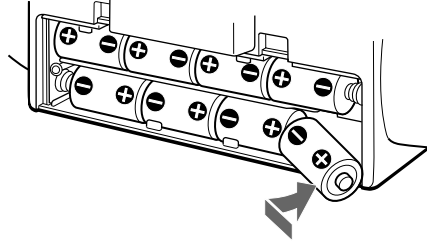
Tip

Replace the batteries when the OPR/BATT indicator dims or when the player stops operating. Replace all the batteries with new ones. Before you replace the batteries, be sure to take out the CD from the player.

4 Using the player on batteries

Insert eight R20 (size D) batteries (not supplied) into the battery compartment.

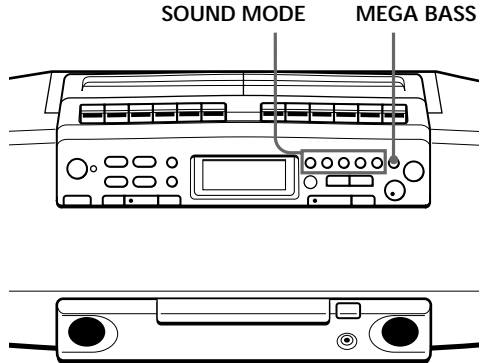
To use the player on batteries, disconnect the AC power cord from the player.



Selecting the audio emphasis

(Sound Mode/MEGA BASS)

You can adjust the audio emphasis of the sound you are listening to.



On the remote

Press **SOUND** repeatedly to select the audio emphasis you want.

Selecting the sound characteristic

Press one of the **SOUND MODE** buttons to select the audio emphasis you want.

Choose	To get
OFF	the whole dynamic range for music such as classical music
ROCK	powerful, clean sounds, emphasizing low and high range audio
POP	light, bright sounds emphasizing high and middle range audio
LIVE	percussive sounds, emphasizing bass audio
VOCAL	the presence of vocals, stressing middle range audio

Reinforcing the bass sound

Press **MEGA BASS**.

"MEGA BASS" appears in the display. To return to normal sound, press the button again.

Precautions

On safety

- As the laser beam used in the CD player section is harmful to the eyes, do not attempt to disassemble the casing. Refer servicing to qualified personnel only.
- Should any solid object or liquid fall into the player, unplug the player, and have it checked by qualified personnel before operating it any further.

On power sources

- For AC operation, use the supplied AC power cord; do not use any other type.
- The player is not disconnected from the AC power source (mains) as long as it is connected to the wall outlet, even if the player itself has been turned off.
- For battery operation, use eight R20 (size D) batteries.
- When the batteries are not to be used, remove them to avoid damage that can be caused by battery leakage or corrosion.
- The nameplate indicating operating voltage, power consumption, etc. is located at the bottom.

On placement

- Do not leave the player in a location near heat sources, or in a place subject to direct sunlight, excessive dust or mechanical shock.
- Do not place the player on an inclined or unstable place.
- Do not place anything within 10 mm of the side of the cabinet. The ventilation holes must be unobstructed for the player to operate properly and prolong the life of its components.
- If the player is left in a car parked in the sun, be sure to choose a location in the car where the player will not be subjected to the direct rays of the sun.
- Since a strong magnet is used for the speakers, keep personal credit cards using magnetic coding or spring-wound watches away from the player to prevent possible damage from the magnet.

On operation

- If the player is brought directly from a cold to a warm location, or is placed in a very damp room, moisture may condense on the lens inside the CD player section. Should this occur, the player will not operate properly. In this case, remove the CD and wait about an hour for the moisture to evaporate.
- If the player has not been used for a long time, set it in the playback mode to warm it up for a few minutes before inserting a cassette.

If you have any questions or problems concerning your player, please consult your nearest Sony dealer.

continued

Precautions (continued)

Notes on CDs

- Before playing, clean the CD with a cleaning cloth. Wipe the CD from the center out.

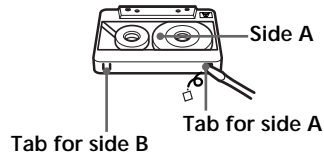


- Do not use solvents such as benzene, thinner, commercially available cleaners or anti-static spray intended for vinyl LPs.
- Do not expose the CD to direct sunlight or heat sources such as hot air ducts, nor leave it in a car parked in direct sunlight as there can be a considerable rise in temperature inside the car.
- Do not stick paper or sticker on the CD, nor scratch the surface of the CD.
- After playing, store the CD in its case.

If there is a scratch, dirt or fingerprints on the CD, it may cause tracking error.

Notes on cassettes

- Break off the cassette tab from side A or B to prevent accidental recording. If you want to reuse the tape for recording, cover the broken tab with adhesive tape.



- The use of a cassette with more than 90 minutes of play time is not recommended except for long, continuous recording or playback.

Troubleshooting

	Symptom	Remedy
General	The power is not on.	<ul style="list-style-type: none"> • Connect the AC power cord to a wall outlet securely. • Make sure the batteries are inserted correctly. • You cannot turn on the player with the remote when you operate the player on batteries.
	There is no audio.	<ul style="list-style-type: none"> • Make sure the function you want to use appears in the display window. • Adjust the volume. • Unplug the headphones when listening through speakers.
	Noise is heard.	<ul style="list-style-type: none"> • Someone is using a portable telephone or other equipment that emits radio waves near the player. → Move the portable telephone, etc., away from the player.
	“no disc” lights in the display even when a CD is in place.	<ul style="list-style-type: none"> • Insert the CD with the label surface up.
	The CD does not play.	<ul style="list-style-type: none"> • Make sure that the CD tray is closed. • Place the CD with the label surface up. • Clean the CD. • Take out the CD and leave the CD tray open for about an hour to dry moisture condensation. • Make sure “Cd” appears in the display.
CD Player	The sound drops out.	<ul style="list-style-type: none"> • Reduce the volume. • Clean the CD, or replace it if the CD is badly damaged • Place the player in a location free from vibration.
	The audio is weak or has poor quality.	<ul style="list-style-type: none"> • Replace all the batteries with new ones if they are weak. • Move the player away from the TV. • If you are using the remote while listening to AM or MW/LW radio, noise may be heard. This is unavoidable.
	The picture of your TV becomes unstable.	<ul style="list-style-type: none"> • If you are listening to an FM program near the TV with an indoor antenna, move the player away from the TV.
Radio		

continued

Troubleshooting (continued)

	Symptom	Remedy
Tape Player	The tape does not move when you press an operation button.	<ul style="list-style-type: none"> • Close the tape compartment securely.
	The REC ● button does not function/The tape does not play.	<ul style="list-style-type: none"> • Make sure the safety tab on the cassette is in place. • Make sure "TAPE" appears in the display.
	The tape does not erase completely.	<ul style="list-style-type: none"> • Clean the erasing head (see page 33). • Replace all the batteries with new ones if they are weak. • The source which was recorded on TYPE II (high position) or TYPE IV (metal) tape using this unit is being played. Record on TYPE I (normal) tape and play.
	The tape does not record.	<ul style="list-style-type: none"> • Make sure the tape is inserted properly. • Make sure the safety tab of the cassette is in place.
	The audio is weak/The audio quality is poor.	<ul style="list-style-type: none"> • Clean the heads, pinch roller and capstan (see page 33). • Demagnetize the heads using a demagnetizer (see page 33).
	The sound is distorted.	<ul style="list-style-type: none"> • The TYPE II (high position) or TYPE IV (metal) tape is being used. Use TYPE I (normal) tape only.
Timer	The timer does not operate.	<ul style="list-style-type: none"> • Make sure the time on the clock is correct. • Check to see if the AC power had been cut off. • Make sure the ☹ (clock) indication is displayed.
	The remote does not function.	<ul style="list-style-type: none"> • Replace all the batteries in the remote with new ones if they are weak. • Make sure that you are pointing the remote at the remote sensor on the player. • Remove any obstacles in the path of the remote and the player. • Make sure the remote sensor is not exposed to strong light such as direct sunlight or fluorescent lamp light. • Move closer to the player when using the remote.
Remote		

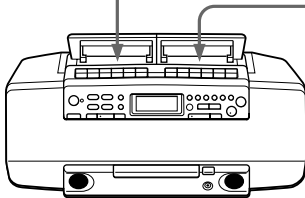
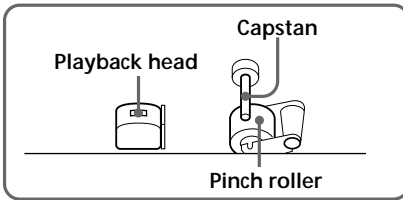
After trying the above remedies, if you still have problems, unplug the AC power cord and remove all the batteries. After all the indications in the display disappear, plug the power cord and insert the batteries again. If the problem persists, please consult your nearest Sony dealer.

Maintenance

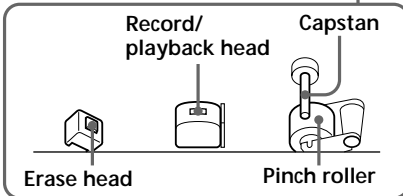
Cleaning the tape heads and tape path

Wipe the heads, the pinch roller and the capstan with a cleaning swab slightly moistened with cleaning fluid or alcohol after every 10 hours of operation for optimum playback and recording quality. To make the best possible recording, however, we recommend that you clean all surfaces over which tape travels before each recording.

Deck A



Deck B



After cleaning, insert a tape when the areas cleaned are completely dry.

Demagnetizing the tape heads

After 20 to 30 hours of use, enough residual magnetism will have built up on the tape heads to begin to cause loss of high frequency sound and hiss. At this time, you should demagnetize the heads and all metal parts in the tape path with a commercially available tape head demagnetizer.

Cleaning the cabinet

Clean the cabinet, panel and controls with a soft cloth slightly moistened with a mild detergent solution. Do not use any type of abrasive pad, scouring powder, or solvent, such as alcohol or benzine.

Specifications

CD player section

System

Compact disc digital audio system

Laser diode properties

Material: GaAlAs

Wave length: 780 nm

Emission duration: Continuous

Laser output: Less than 44.6 μ W

(This output is the value measured at a distance of about 200 mm from the objective lens surface on the optical pick-up block with 7 mm aperture.)

Spindle speed

200 r/min (rpm) to 500 r/min (rpm) (CLV)

Number of channels

2

Frequency response

20 - 20,000 Hz +1/-2 dB

Wow and flutter

Below measurable limit

Radio section

Frequency range

CFD-W57L

FM	Central and eastern Europe	65 - 74 MHz
		87.5 - 108 MHz
	Other countries	87.5 - 108 MHz

MW 531 - 1,602 kHz

LW 153 - 279 kHz

CFD-W57

FM 87.6 - 107 MHz

AM 531 - 1,602 kHz
(9 kHz STEP)
530 - 1,710 kHz
(10 kHz STEP)

IF

FM: 10.7 MHz

AM/MW/LW: 450 kHz

Aerials

FM: Telescopic aerial

AM/MW/LW: Built-in ferrite bar aerial

Cassette-corder section

Recording system

4-track 2 channel stereo

Fast winding time

Approx. 120 s (sec.) with Sony cassette C-60

Frequency response

TYPE I (normal): 70 - 12,500 Hz

General

Speaker

Full range: 8 cm (3 1/4 in.) dia.,
3.2 ohms, cone type (2)

Outputs

Headphones jack (stereo minijack)
For 16 - 64 ohms impedance headphones

Maximum power output

4.5 W + 4.5 W

Power requirements

For CD radio cassette-corder:

230 V AC, 50 Hz

12 V DC, 8 R20 (size D) batteries

For memory back-up:

6 V DC, 4 R6 (size AA) batteries

For remote control:

3 V DC, 2 R6 (size AA) batteries

Power consumption

AC 25 W

Battery life

For CD radio cassette-corder:

FM recording

Sony R20P: approx. 4.5 h

Sony alkaline LR20: approx. 12 h

Tape playback

Sony R20P: approx. 2 h

Sony alkaline LR20: approx. 4.5 h

CD playback

Sony R20P: approx. 2 h

Sony alkaline LR20: approx. 4.5 h

Dimensions

Approx. 444 × 180 × 256 mm (w/h/d)
(17 1/2 × 7 1/8 × 10 1/8 inches) (incl. projecting parts)

Mass

Approx. 7.0 kg (15 lb. 7 oz) (incl. batteries)

Supplied accessories

AC power cord (1)

Remote control (1)

Design and specifications are subject to change without notice.

Optional accessories

Sony MDR headphones series

Index

A

Audio emphasis 28

B

Batteries

for player 27

memory back-up 25

for remote 26

C

CD player 12

Choosing power sources 25

Cleaning

cabinet 33

tape heads and tape

path 33

Connecting AC power cord

25

Creating your own program

16

D, E

Demagnetizing the tape

heads 33

Display 12

F, G, H

FLASH 18

I, J, K

Improving broadcast
reception 7

L

Listening to the radio 6

Locating a specific track 13

LOOP 18

M, N, O

MEGA BASS 28

P, Q

Playing

a CD 4

a tape 8

preset radio stations 20

tracks repeatedly 14

Power sources 25

Presetting radio stations 19

Program Play 16

R

Radio stations

playing 20

presetting 19

Recording on a tape 10

Repeat Play 14

S

Selecting

audio emphasis 28

tracks 5

Setting the clock 21

Setting up 25

Shuffle Play 15

SOUND 28

T

Timer

Falling asleep to music

24

Waking up to music 22

Troubleshooting 31

U, V, W, X, Y, Z

Using the display 12

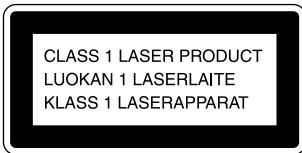
ADVERTENCIA

Para evitar incendios o el riesgo de electrocución, no exponga el reproductor a la lluvia ni a la humedad.

Para evitar descargas eléctricas, no abra el sistema. En caso de avería, solicite sólo los servicios de personal especializado.

Información

Para usuarios en Europa



Este reproductor de discos compactos está clasificado como producto láserico de clase 1. La etiqueta CLASS 1 LASER PRODUCT se encuentra en la parte inferior del exterior de la unidad.

ADVERTENCIA

No instale el aparato en un espacio cerrado, como una estantería para libros o un armario empotrado.

Acerca de este manual

Las instrucciones de este manual hacen referencia a los modelos CFD-W57 y CFD-W57L. Antes de comenzar a leerlas, compruebe el número de modelo. Se ha utilizado el modelo CFD-W57L para las ilustraciones.

Nota

El nombre del interruptor para encender y apagar este reproductor se indica de la siguiente forma:

“OPERATE”: Países europeos (Europa Central y del Este, excluida)

“POWER”: Otros países

Indice

Procedimientos básicos

- 4 Reproducción de un CD
 - 6 Radiorecepción
 - 8 Reproducción de cintas
 - 10 Grabación en una cinta
-

Reproductor de discos compactos (CD)

- 12 Utilización del visualizador
- 13 Localización de una canción específica
- 14 Reproducción repetida de las canciones (Reproducción repetida)
- 15 Reproducción de canciones en orden aleatorio (Reproducción aleatoria)
- 16 Creación de su propio programa (Reproducción programada)
- 18 Efectos sonoros (LOOP/FLASH)

Radio

- 19 Memorización de emisoras de radiodifusión
- 20 Sintonía de emisoras almacenadas

Temporizador

- 21 Ajuste del reloj
- 22 Activación automática de la unidad
- 24 Desactivación automática de la unidad

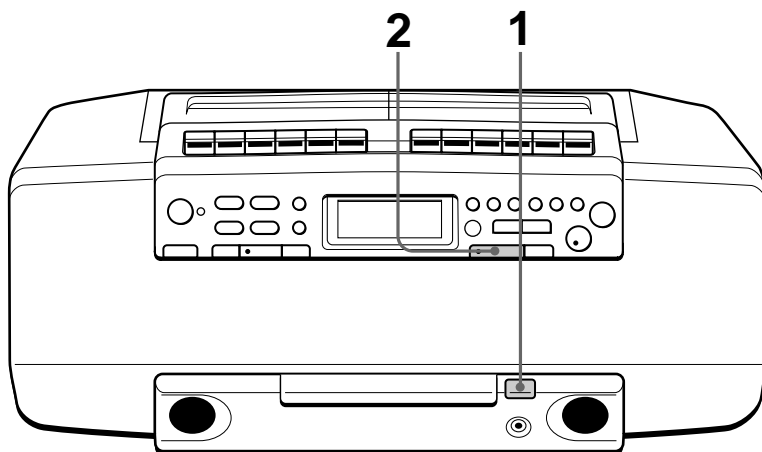
Preparativos

- 25 Selección de la fuente de alimentación
- 28 Selección del énfasis de audio (Modo de sonido/MEGA BASS)

Información complementaria

- 29 Precauciones
- 31 Solución de problemas
- 33 Mantenimiento
- 34 Especificaciones
- 35 Índice alfabético

Reproducción de un CD



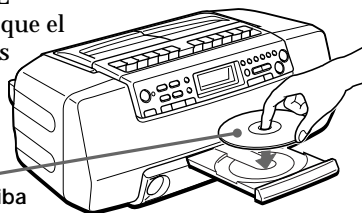
Conecte el cable de alimentación de CA suministrado (consulte la página 25).

1



Presione ▲ OPEN/CLOSE (encendido directo) y coloque el CD en la bandeja de discos compactos.

Con el lado de la etiqueta hacia arriba



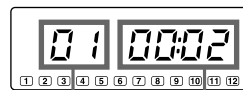
2



Presione ►||. (Presione ►|| en el telemando.)

Se cierra la bandeja de discos compactos y el reproductor reproduce todos los temas una vez.

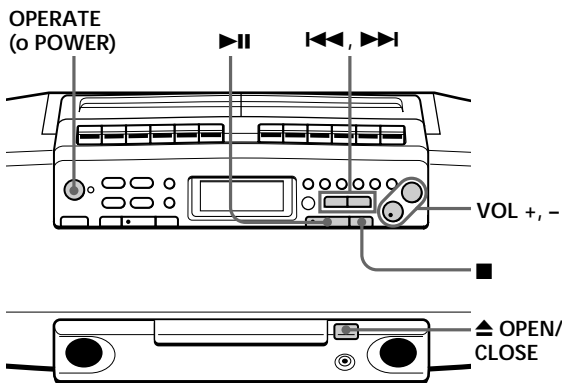
Visualizador



Número de canción

Tiempo de reproducción

Utilice estas teclas para realizar procedimientos adicionales

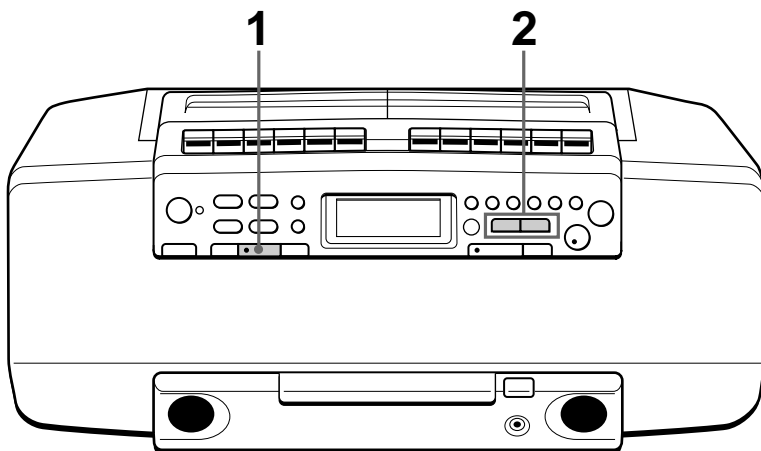


Consejo

La próxima vez que desee escuchar un CD, basta con presionar ►II. El reproductor se enciende automáticamente e inicia la reproducción del CD.

Para	Presione
ajustar el volumen	VOL +, -
cesar la reproducción	■
realizar una pausa	►II (II en el telemando) Vuelva a presionar la tecla para reanudar la reproducción después de la pausa.
pasar a la siguiente canción	►►
retroceder a la canción anterior	◄◄
extraer el disco	▲ OPEN/CLOSE
encender/apagar el reproductor	OPERATE (o POWER, consulte la página 2)

Radiorecepción



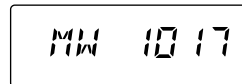
Conecte el cable de alimentación de CA suministrado (consulte la página 25).

1



Presione BAND hasta que la banda que desee aparezca en el visualizador (activación directa).

Visualizador



2



Mantenga presionada TUNING/TIME SET + o - (TUNE + o - en el telemando) hasta que los dígitos de frecuencia comiencen a cambiar en el visualizador.

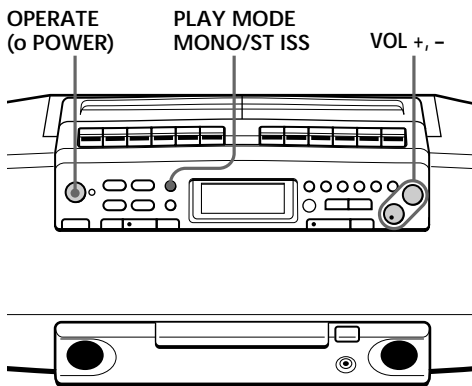
Indica una emisión estéreo de FM.



El reproductor explora automáticamente las frecuencias de radio y se detiene al encontrar una emisora con sonido nítido.

Si no puede sintonizar una emisora, presione la tecla varias veces y cambie la frecuencia intervalo a intervalo.

Utilice estas teclas para realizar procedimientos adicionales



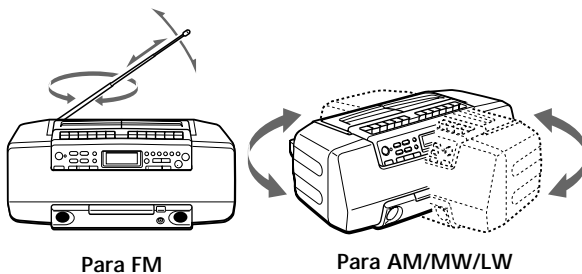
Consejos

- Si la emisión en FM presenta ruido, presione PLAY MODE • MONO / ST ISS hasta que aparezca "Mono" en el visualizador; la radio sintonizará la emisión en modo monofónico.
- La próxima vez que desee escuchar la radio, basta con presionar la tecla BAND. La radio se enciende automáticamente e inicia la reproducción de la emisora anterior.
- *Sólo CFD-W57:* Si necesita cambiar el intervalo de sintonía de AM (ajustado en fábrica a 9 kHz), consulte la página 26.

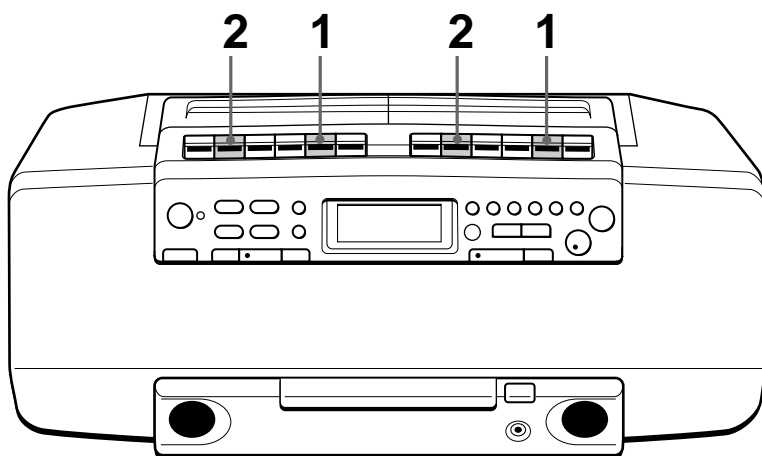
Para	Presione
ajustar el volumen	VOL +, -
encender/apagar la radio	OPERATE (o POWER, consulte la página 2)

Para mejorar la recepción de la radio

Reoriente la antena para FM y el reproductor para AM o MW/LW.

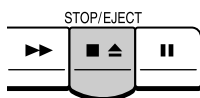


Reproducción de cintas



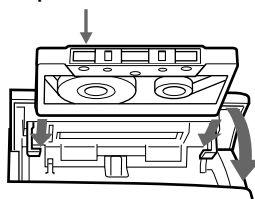
Conecte el cable de alimentación de CA suministrado (consulte la página 25).

1

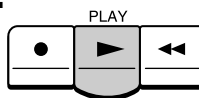


Presione para abrir el compartimiento de la cinta e inserte una cinta grabada. Emplee sólo cintas TYPE I (normal). Cierre el compartimiento.

Con la cara que desea reproducir hacia arriba



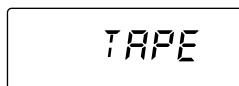
2



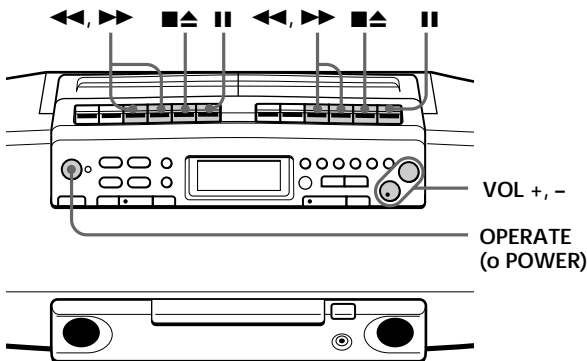
Presione .

El reproductor se enciende (activación directa) e inicia la reproducción.

Visualizador



Utilice estas teclas para realizar procedimientos adicionales



Nota

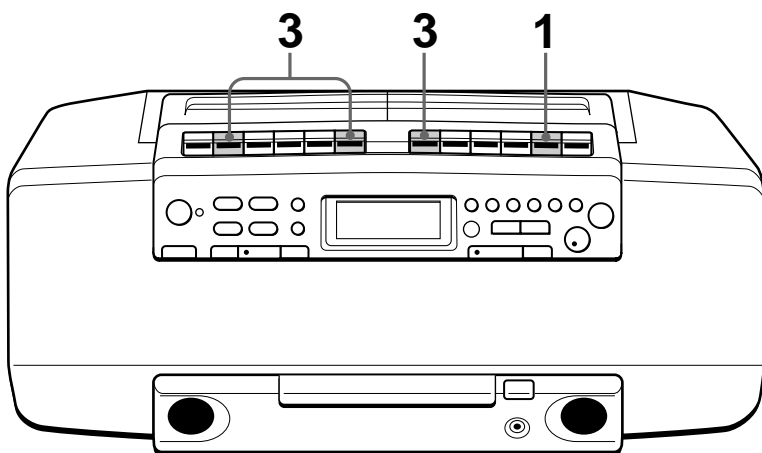
Durante la reproducción, no pulse los botones de la otra platina. En caso contrario, puede cambiar la velocidad de reproducción.

Consejo

La próxima vez que desee escuchar una cinta, basta con presionar ►. El reproductor se enciende automáticamente e inicia la reproducción de la cinta.

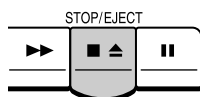
Para	Presione
ajustar el volumen	VOL +, -
cesar la reproducción	■▲
avanzar rápidamente o rebobinar la cinta	▶▶ o ◀◀
realizar una pausa	 Vuelva a presionar la tecla para reanudar la reproducción después de la pausa.
extraer el cassette	■▲
encender/apagar el reproductor	OPERATE (o POWER, consulte la página 2)

Grabación en una cinta



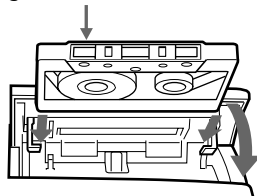
Conecte el cable de alimentación de CA suministrado (consulte la página 25).

1



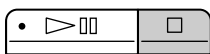
Presione para abrir el compartimiento de cintas de la platina B e inserte una cinta virgen. Emplee sólo cintas TYPE I (normal).

Con la cara que desea grabar hacia arriba



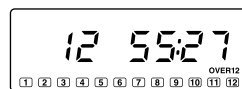
2

Seleccione la fuente de programa que desee grabar.

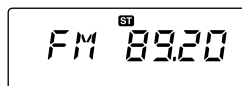


Para grabar desde el reproductor de discos compactos, inserte un CD (consulte la página 4) y presione de la sección de CD.

Visualizador



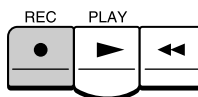
Para grabar desde la radio, presione BAND y sintonice la emisora deseada (consulte la página 6).



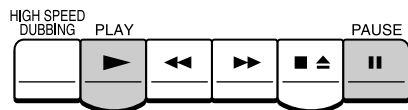
Para grabar desde la cinta, inserte una cinta grabada en la platina A (consulte la página 8).

3

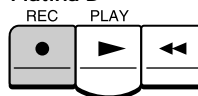
Platina B



Platina A



Platina B



Inicie la grabación.

Para grabar desde el reproductor de CD o la radio, pulse ● en la platina B (▶ se pulsa de forma automática).

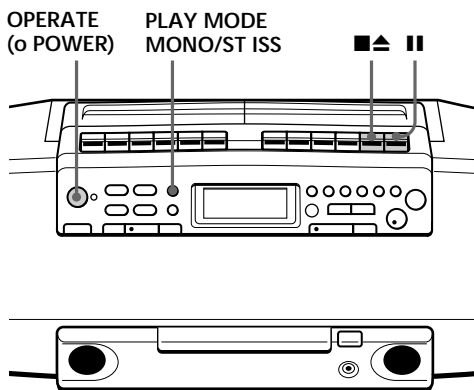
Para grabar desde una cinta, presione || y ▶ en la platina A. (Para el doblaje a alta velocidad, presione || y HIGH SPEED DUBBING.)

A continuación, presione ● en la platina B (▶ se pulsa de forma automática).

Consejos

- Los ajustes del volumen o del énfasis de sonido no afectarán al nivel de grabación (consulte la página 28).
- Si durante la recepción de un programa de AM o MW/LW se percibe un sonido silbante después de presionar ● en el paso 3, presione PLAY MODE • MONO/ST ISS (interruptor de supresión de interferencias) varias veces hasta que el ruido sea mínimo.
- Para obtener los mejores resultados posibles, emplee la fuente de alimentación de CA.
- Para borrar una grabación, realice lo siguiente:
 - 1 Inserte la cinta cuya grabación desee borrar en la platina B.
 - 2 Presione ● de la platina B.

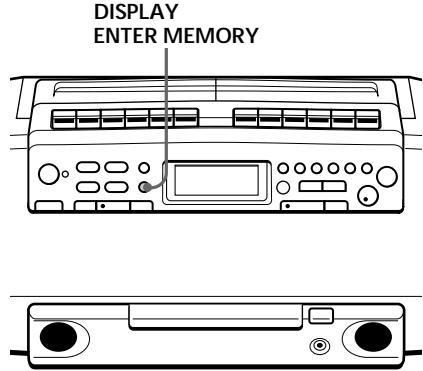
Utilice estas teclas para realizar operaciones adicionales



Para	Presione
cesar la grabación	■▲ de la platina B
realizar una pausa durante la grabación	de la platina B Vuelva a presionar la tecla para reanudar la grabación.
encender/apagar el reproductor	OPERATE (o POWER, consulte la página 2)

Utilización del visualizador

Puede comprobar la información sobre el disco en el visualizador.



Comprobación del número total de canciones y del tiempo de reproducción

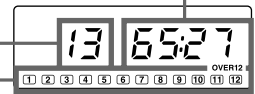
Compruebe el visor en modo de parada.

Si el disco contiene más de 12 canciones, la indicación "OVER 12" aparece en el visualizador.

Tiempo total de reproducción

Número total de canciones

Calendario musical



Comprobación del tiempo restante

Presione DISPLAY • ENTER MEMORY mientras reproduce un disco.

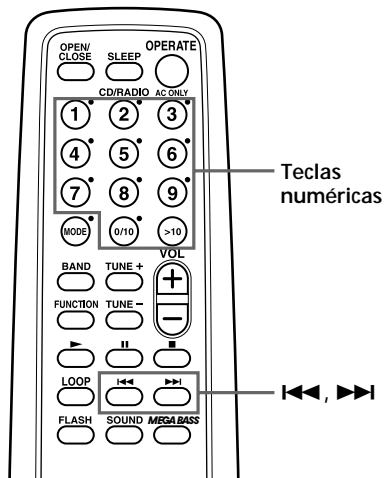
Los números de canción del calendario musical desaparecen después de reproducirse.

Para visualizar	Presione DISPLAY • ENTER MEMORY
el número de canción actual y el tiempo restante de ésta*	una vez
tiempo y número de canciones del disco restantes	dos veces
el número de canción actual y tiempo de reproducción	tres veces

* Para las canciones de número superior a 20, el tiempo restante aparece en el visualizador con la forma "- : - -".

Localización de una canción específica

Puede localizar rápidamente cualquier canción mediante las teclas numéricas, así como encontrar un punto específico de una canción mientras se reproduce el disco.



Nota

No es posible localizar una canción específica si el indicador "SHUF" o "PGM" del visualizador se encuentra encendido. Apague la indicación presionando ■.

Consejo

Cuando localice una canción con un número superior a 10, presione en primer lugar >10 y, a continuación, las teclas numéricas correspondientes.

Ejemplo:

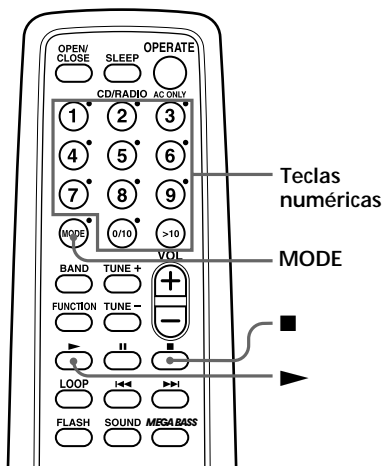
Para reproducir la canción número 23, presione en primer lugar >10 y, a continuación, 2 y 3.

Para localizar	Presione
directamente una canción específica	la tecla numérica de la canción
un punto mientras escucha el sonido	▶▶▶ (hacia delante) o ◀◀◀ (hacia atrás) durante la reproducción y manténgala presionada hasta encontrar el punto
un punto mientras observa el visualizador	▶▶▶ (hacia delante) o ◀◀◀ (hacia atrás) durante una pausa y manténgala presionada hasta encontrar el punto

Reproducción repetida de las canciones

(Reproducción repetida)

Puede reproducir las canciones repetidamente en los modos de reproducción normal, aleatoria o programada (consulte la página 16).



- 1 Presione ■.
- 2 Presione MODE (PLAY MODE•MONO/ST ISS en el reproductor). hasta que el modo de repetición deseado aparezca en el visualizador.

Para repetir	Seleccione
una sola canción	REP1
todas las canciones	REP ALL
canciones en orden aleatorio	SHUF REP
canciones programadas	PGM REP

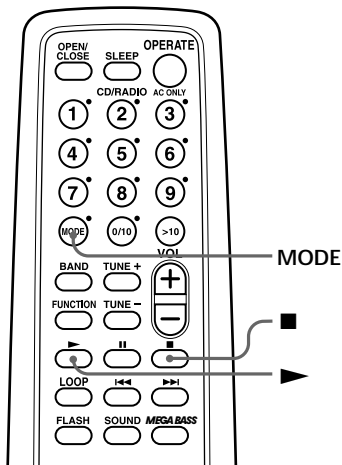
- 3 Realice cualquiera de las siguientes operaciones para iniciar la reproducción repetida:
 - Si ha seleccionado REP1, elija la canción presionando el botón numérico (presione ◀◀ o ▶▶, y a continuación, ▶|| en el reproductor).
 - Si ha seleccionado REP ALL o SHUF REP, presione ▶ (▶|| en el reproductor).
 - Si ha seleccionado PGM REP, programe las canciones (consulte el paso 3 en la página 16) y, a continuación, presione ▶ (▶|| en el reproductor).

Para cancelar la reproducción repetida
 Presione MODE hasta que “REP” desaparezca del visualizador.

Reproducción de canciones en orden aleatorio

(Reproducción aleatoria)

Es posible reproducir las canciones en orden aleatorio.



En el reproductor

- 1 Presione ■.
- 2 Presione PLAY MODE • MONO/ST ISS varias veces hasta que aparezca "SHUF" en el visualizador.
- 3 Presione ►.

- 1 Presione ■.
"Cd" aparece en el visualizador.
- 2 Presione MODE hasta que aparezca "SHUF" en el visualizador.
- 3 Presione ► para iniciar la reproducción aleatoria.

Para cancelar la reproducción aleatoria

Presione MODE hasta que desaparezca "SHUF" del visualizador.

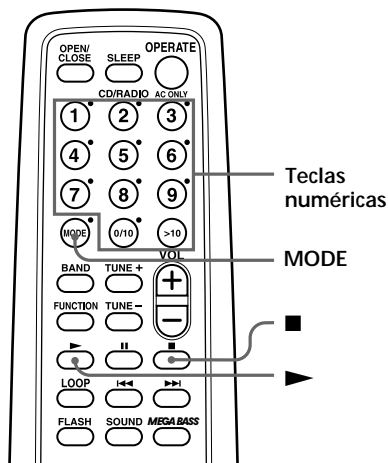
Creación de su propio programa

(Reproducción programada)

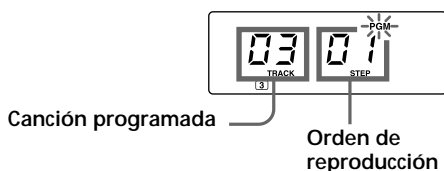
Puede crear un programa compuesto por un máximo de 20 canciones en el orden que desee reproducirlas.

En el reproductor

- 1 Presione ■.
- 2 Presione PLAY MODE•MONO/ST ISS hasta que aparezca "PGM" en el visualizador.
- 3 Presione ◀◀ o ▶▶ y, a continuación, DISPLAY•ENTER MEMORY para las canciones que desee programar en el orden que desee.
- 4 Presione ▶▶.



- 1 Presione ■.
- 2 Presione MODE hasta que la indicación "PGM" aparezca en el visualizador.
- 3 Presione las teclas numéricas para las canciones que desee programar en el orden que desee.



Las canciones programadas aparecen en el calendario musical.

- 4 Presione ▶▶ para iniciar la reproducción programada.

Consejos

- Es posible volver a reproducir el mismo programa, ya que éste queda almacenado hasta que abra la bandeja de discos compactos.
- Puede grabar su propio programa. Después de crear el programa, inserte una cinta virgen en la platina B y presione ● para iniciar la grabación.

Para cancelar la reproducción programada

Presione MODE hasta que "PGM" desaparezca del visualizador.

Para comprobar el orden de las canciones antes de la reproducción

Presione DISPLAY • ENTER MEMORY en el reproductor.

Cada vez que presione la tecla, el número de canción aparece en el orden programado.

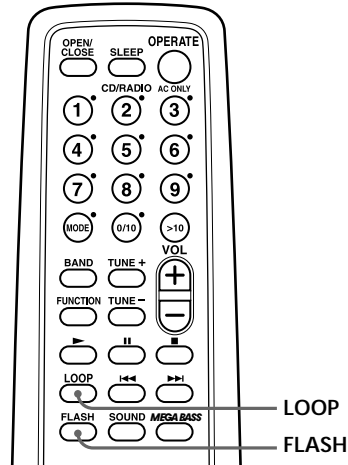
Para cambiar el programa actual

Presione ■ una vez si el CD está parado y dos veces si está reproduciéndose. El programa actual se borrará. A continuación, cree un nuevo programa siguiendo el procedimiento de programación.

Efectos sonoros

(LOOP/FLASH)

Puede repetir parte de un CD (LOOP) y reproducir el sonido de forma intermitente (FLASH) durante la reproducción.



- 1 Reproduzca un CD.
- 2 Presione y mantenga presionada LOOP o FLASH en el punto donde desee iniciar la función.

Para	Pulse y mantenga pulsado
repetir una parte seleccionada de un CD	LOOP
reproducir el sonido con intermitencia	FLASH

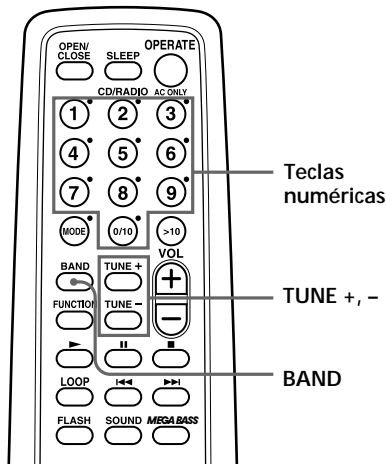
Para cancelar la función LOOP o FLASH

Suelte la tecla.

El reproductor vuelve a la reproducción normal.

Memorización de emisoras de radiodifusión

Es posible almacenar emisoras de radio en la memoria del reproductor. Es posible predefinir hasta 30 emisoras de radio (CFD-W57L) o 20 emisoras de radio (CFD-W57), 10 de cada banda en cualquier orden.



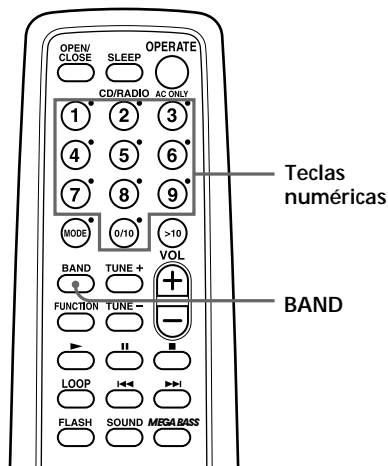
En el reproductor

- 1 Presione BAND para seleccionar la banda.
- 2 Sintonice la emisora que desee.
- 3 Mantenga presionada DISPLAY • ENTER MEMORY durante 2 segundos.
- 4 Presione PRESET+ o - hasta que el número de programación (de 1 a 10) en el que desee predefinir la emisora parpadee en el calendario musical.
- 5 Vuelva a presionar DISPLAY • ENTER MEMORY.

- 1 Presione BAND hasta que la banda que desea predefinir aparezca en el visualizador.
- 2 Sintonice la emisora que desee.
- 3 Mantenga presionadas las teclas numéricas en las que desee predefinir la nueva emisora durante 2 segundos.
La nueva emisora sustituye a la antigua.

Sintonía de emisoras almacenadas

Una vez programadas las emisoras, utilice los botones numéricos del mando a distancia o PRESET +/- en el reproductor para sintonizar sus emisoras favoritas.



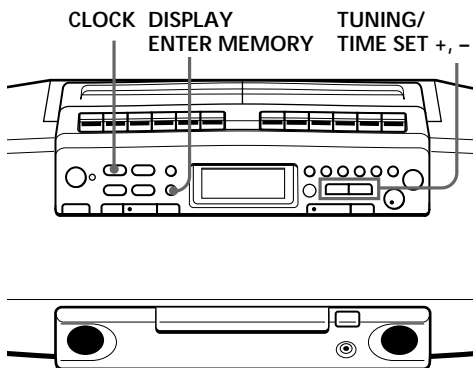
En el reproductor

- 1 Presione BAND para seleccionar la banda.
- 2 Presione PRESET + o - para sintonizar una emisora almacenada.

- 1 Presione BAND para seleccionar la banda.
- 2 Presione los botones numéricos para sintonizar una emisora almacenada.

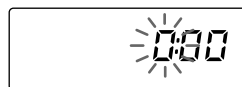
Ajuste del reloj

El visor mostrará la indicación “--:--” hasta que ajuste el reloj.



Consejo
Sistema de visualización de la hora:
Sistema de 24 horas

- 1** Mantenga presionada CLOCK durante 2 segundos hasta que los dígitos de la hora parpadeen.



- 2** Presione TUNING/TIME SET + o - hasta ajustar la hora actual. A continuación, presione DISPLAY • ENTER MEMORY.

Los dígitos de los minutos parpadean. Ajuste los minutos presionando TUNING/TIME SET + o - hasta que aparezcan los minutos correctos.

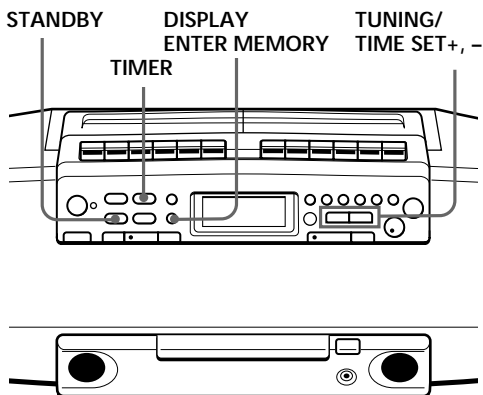


- 3** Presione DISPLAY • ENTER MEMORY.

El reloj se pone en funcionamiento a partir de 00 segundos.

Activación automática de la unidad

Puede programar la hora de activación de la unidad para despertarse con música. Asegúrese de haber ajustado el reloj (Consulte “Ajuste del reloj” en la página 21).



Antes de comenzar, compruebe que la indicación ☺ (reloj) no está iluminada en el visualizador. Si lo está, presione STANDBY.

1 Prepare la fuente musical que desee reproducir.

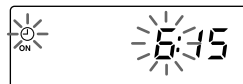
Para reproducir	Realice lo siguiente
la radio	Sintonice una emisora
un CD	Inserte un CD

2 Presione TIMER.

La indicación ☺ (reloj) y la fuente musical (“Cd” o “RADIO”) parpadean.

3 Seleccione la fuente musical (“Cd” o “RADIO”) presionando TUNING/TIME SET + o -, a continuación, DISPLAY • ENTER MEMORY.

4 Ajuste el temporizador a la hora que desee activar la música presionando TUNING/TIME SET + o -, a continuación, DISPLAY • ENTER MEMORY.



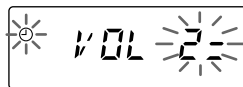
Ajuste los minutos y, a continuación, presione DISPLAY • ENTER MEMORY.

5 Defina en el temporizador la hora y los minutos que desea que se desactive la música. (Realice la acción del paso 4.)

Consejos

- El visualizador no se ilumina mientras el temporizador de activación se encuentre activado.
- Es posible hacer que el reproductor se active al siguiente día a la misma hora. Basta con presionar STANDBY hasta que la indicación ☹ aparezca en el visualizador.
Los ajustes programados se conservan hasta que vuelva a definirlos.

- 6** Presione TUNING/TIME SET + o - para ajustar el volumen y, a continuación, DISPLAY•ENTER MEMORY.



- 7** Presione STANDBY.

La indicación ☹ se ilumina y la alimentación se desactiva.

A la hora programada, la unidad se encenderá y la música se reproducirá. A continuación, la unidad se apagará a la hora programada y el reproductor entrará en el modo de espera.

Para comprobar o modificar el momento de inicio de la reproducción

Presione TIMER y, a continuación, DISPLAY•ENTER MEMORY. Cada vez que pulse DISPLAY•ENTER MEMORY, aparecerá un ajuste almacenado en el orden ajustado. Para cambiar el ajuste, muestre el que desee cambiar y vuelva a introducirlo.

Para emplear el reproductor antes del inicio de una reproducción con temporizador

Basta con encender el reproductor y emplearlo con normalidad.

Si apaga el reproductor antes de la hora programada, la reproducción con temporizador se iniciará a la hora definida.

No obstante, en el caso de la radio, si escucha una emisora diferente de la sintonizada en el paso 1 de la página 22, escuchará esa emisora a la hora programada. Asegúrese de sintonizar la emisora que desee escuchar antes de apagar el reproductor.

Para detener la reproducción

Presione OPERATE (o POWER).

Desactivación automática de la unidad

Es posible ajustar el reproductor para que se desactive automáticamente transcurridos 10, 20, 30, 60, 90 y 120 minutos, de forma que pueda dormirse mientras escucha música.

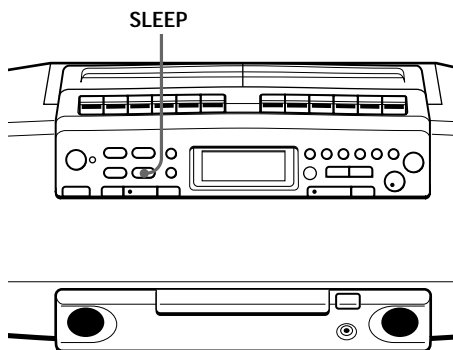
Consejos

- El visualizador no se ilumina mientras el temporizador de desactivación se encuentre activado.
- Es posible dormirse y despertarse con música diferente. Ajuste primero el temporizador de activación (consulte la página 22), active la alimentación y, a continuación, ajuste el temporizador de desactivación. No obstante, no es posible almacenar emisoras de radio diferentes.

Nota

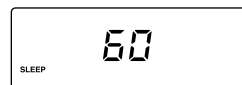
Cuando reproduzca una cinta utilizando esta función:

Si la duración de una cara de la cinta es superior al tiempo establecido, el reproductor no se detendrá hasta que la cinta llegue al final.



- 1 Reproduzca la fuente musical que desee.
- 2 Presione SLEEP para que aparezca "SLEEP".
- 3 Presione SLEEP para seleccionar los minutos en que el reproductor se desactivará automáticamente.

Cada vez que presione la tecla, la indicación cambia como se indica a continuación: "60" → "90" → "120" → sin indicación → "10" → "20" → "30".

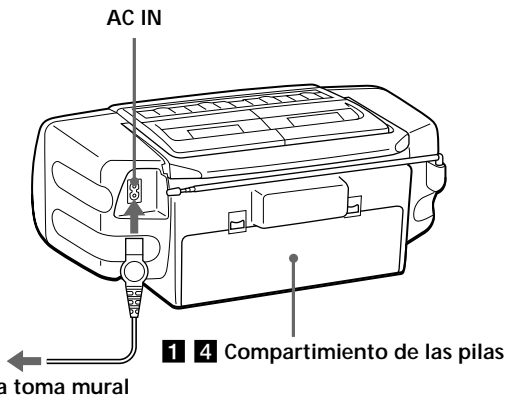


Para cancelar la función de desactivación automática

Presione OPERATE (o POWER) para desactivar la alimentación.

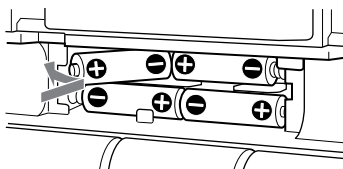
Selección de la fuente de alimentación

Puede utilizar la alimentación de CA o las pilas como fuente de alimentación.



1 Inserción de las pilas de respaldo

Inserte cuatro pilas R6 (tamaño AA) (no suministradas) en el compartimiento de pilas. Estas pilas sirven para proteger los datos de la memoria.



2 Conexión del cable de alimentación de CA

Inserte un extremo del cable de alimentación de CA suministrado en la clavija AC IN situada en la parte posterior del reproductor, y el otro extremo en la toma mural.

continúa

Selección de la fuente de alimentación (continuación)

Cambio del intervalo de sintonía de AM (sólo CFD-W57)

Si necesita cambiar el intervalo de sintonización de AM (preajustado de fábrica en 9 kHz), siga estos pasos:

1 Desconecte el cable de alimentación de CA del reproductor.

Mantenga el cable conectado a la toma mural.

2 Extraiga todas las pilas del compartimiento de las mismas, incluidas las de reserva.

3 Presione POWER.

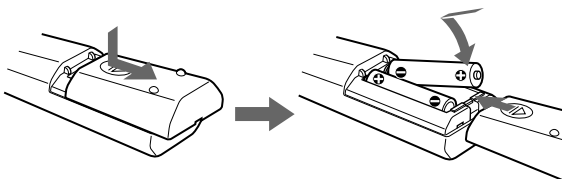
Todas las indicaciones desaparecen del visualizador.

4 Mientras mantiene presionado BAND y PLAY MODE • MONO/ST ISS, conecte el cable de alimentación de CA al reproductor.

5 Inserte las pilas de reserva.

Una vez cambiado el intervalo de sintonía, es necesario programar de nuevo las emisoras de radio memorizadas.

3 Inserte las pilas en el telemando



Inserte dos pilas R6 (tamaño AA) (no suministradas)

Sustitución de las pilas

En condiciones de uso normal, la duración de las pilas es de seis meses aproximadamente. Si no consigue controlar el reproductor con el telemando, sustituya todas las pilas por otras nuevas.

Nota

- Si utiliza el reproductor con pilas,
- la iluminación del visualizador no se activará.
 - no podrá encender el reproductor con el telemando.

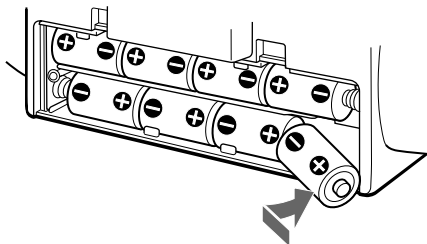
Consejo

Sustituya todas las pilas por otras nuevas si el indicador OPR/BATT presenta una luz tenue, o si el reproductor deja de funcionar. Antes de sustituir las pilas, asegúrese de extraer el CD del reproductor.

4 Utilización del reproductor con pilas

Inserte ocho pilas R20 (tamaño D) (no suministradas) en el compartimiento de las pilas.

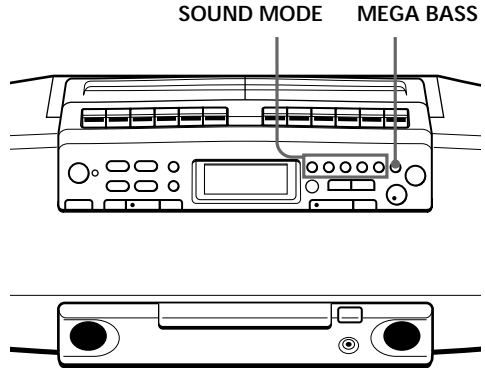
Para utilizar el reproductor con las pilas, desconecte el cable de alimentación de CA del mismo.



Selección del énfasis de audio

(Modo de sonido/MEGA BASS)

Puede ajustar el énfasis de audio del sonido que esté escuchando.



En telemando

Presione SOUND varias veces para seleccionar el énfasis de audio que desee.

Selección de las características de sonido

Presione uno de los botones SOUND MODE para seleccionar el énfasis de audio que desee.

Elija	Para obtener
OFF	la gama dinámica completa de música, como clásica
ROCK	sonidos potentes y limpios con énfasis de las gamas baja y alta de audio
POP	sonidos brillantes y ligeros con énfasis de las gamas alta y media de audio
LIVE	sonidos de percusión con énfasis en los graves
VOCAL	sonidos vocales con énfasis de la gama media de audio

Refuerzo de los graves

Presione MEGA BASS.

“MEGA BASS” aparece en el visualizador. Para recuperar el sonido normal, vuelva a presionar la tecla.

Precauciones

Seguridad

- No desmonte el aparato, ya que el haz láser utilizado en la sección del reproductor de discos compactos es perjudicial para los ojos. Solicite asistencia técnica sólo a personal especializado.
- Si cae algún objeto sólido o se vierte líquido sobre el reproductor, desenchúfelo y haga que se lo revise personal especializado antes de volver a utilizarlo.

Fuentes de alimentación

- Para el funcionamiento con CA, utilice el cable de alimentación de CA suministrado; no utilice ningún otro tipo de cable.
- El reproductor no estará desconectado de la fuente de alimentación de CA (corriente eléctrica) mientras esté conectado a la toma mural, incluso si ha apagado el reproductor.
- Para el funcionamiento con pilas, utilice ocho pilas R20 (tamaño D).
- Si no va a utilizar las pilas, extráigalas para evitar daños que podría causar el derrame del electrolito o la corrosión de las mismas.
- La placa de características que indica la tensión de funcionamiento, consumo de energía, etc., está situada en la parte inferior.

Colocación

- No deje el reproductor en un lugar cercano a fuentes térmicas ni expuesto a la luz solar directa, al polvo excesivo ni a golpes mecánicos.
- No coloque el reproductor en un lugar inclinado ni inestable.
- No coloque nada a una distancia inferior a 10 mm. de los lados del aparato. Procure no obstruir los orificios de ventilación para lograr el funcionamiento apropiado y prolongar la duración de sus componentes.
- Si deja el reproductor en el automóvil aparcado al sol, elija un lugar dentro del automóvil donde la unidad no esté expuesta a los rayos directos del sol.
- Ya que los altavoces están provistos de imanes potentes, mantenga alejados del reproductor tarjetas personales de crédito con codificación magnética y relojes de cuerda para prevenir posibles daños producidos por los imanes.

continúa

Precauciones (continúa)

Funcionamiento

- Si desplaza el reproductor directamente de un lugar frío a otro cálido, o si lo coloca en una sala muy húmeda, puede condensarse humedad en la lente del interior de la sección del reproductor de discos compactos. Si esto ocurre, el reproductor no funcionará adecuadamente. En este caso, extraiga el CD y espere durante una hora aproximadamente hasta que se evapore la humedad.
- Si no ha utilizado el reproductor durante mucho tiempo, déjelo durante unos minutos en el modo de reproducción para que se caliente antes de insertar un cassette.

Si desea realizar alguna consulta o solucionar algún problema referente al reproductor, póngase en contacto con el proveedor Sony más próximo.

Notas sobre discos compactos

- Antes de la reproducción, limpie el CD con un paño de limpieza desde el centro hacia los bordes.



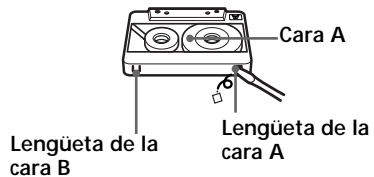
- No utilice disolventes como bencina, diluyentes, limpiadores comercialmente disponibles o rociadores antiestáticos destinados a discos analógicos.

- No exponga el CD a la luz solar directa ni a fuentes térmicas como conductos de aire caliente; tampoco lo deje en un automóvil aparcado al sol, ya que puede producirse un considerable aumento de temperatura en el interior del automóvil.
- No adhiera papeles ni adhesivos sobre el CD, ni arañe su superficie.
- Tras la reproducción, guarde el CD en su caja.

Si el disco está rayado, sucio o tiene huellas dactilares, pueden producirse errores de seguimiento.

Notas sobre cassettes

- Rompa la lengüeta del cassette de la cara A o B para evitar grabaciones accidentales. Si desea volver a utilizar la cinta para realizar grabaciones, cubra el orificio de la lengüeta rota con cinta adhesiva.



- No se recomienda el uso de cassettes de tiempo de reproducción superior a 90 minutos, excepto para grabación o reproducción continua y de larga duración.

Solución de problemas

	Síntoma	Solución
General	La alimentación no se activa.	<ul style="list-style-type: none">• Conecte el cable de alimentación de CA a una toma mural con firmeza.• Asegúrese de que ha insertado las pilas correctamente.• No es posible activar el reproductor con el telemando si lo está utilizando con pilas.
	Carencia de sonido.	<ul style="list-style-type: none">• Compruebe que la función que desee emplear aparezca en el visualizador.• Ajuste el volumen.• Desenchufe los auriculares cuando escuche a través de los altavoces.
	Se oye ruido.	<ul style="list-style-type: none">• Alguien está utilizando un teléfono móvil u otro equipo que emite ondas de radio cerca del reproductor. → Aleje dicho teléfono, etc., del reproductor.
Reproductor de discos compactos	La indicación "no disc" se ilumina en el visualizador aunque haya un CD insertado.	<ul style="list-style-type: none">• Inserte el CD con la superficie de la etiqueta hacia arriba.
	El CD no se reproduce.	<ul style="list-style-type: none">• Compruebe que la bandeja de discos compactos está cerrado.• Coloque el CD con la superficie de la etiqueta hacia arriba.• Limpie el CD.• Extraiga el CD y deje abierto la bandeja de discos compactos durante una hora aproximadamente hasta que se seque la condensación de humedad.• Asegúrese de que la indicación "Cd" aparece en el visualizador.
	Pérdida de sonido.	<ul style="list-style-type: none">• Reduzca el volumen.• Limpie el CD o sustitúyalo si está gravemente dañado.• Sitúe el reproductor en un lugar sin vibraciones.
Radio	El sonido es demasiado bajo o presenta mala calidad.	<ul style="list-style-type: none">• Sustituya todas las pilas por otras nuevas si están débiles.• Aleje el reproductor del televisor.• Si utiliza el telemando mientras escucha la recepción de AM o MW/LW, es posible que se oiga ruido. Esto es inevitable.
	La imagen del televisor no es estable.	<ul style="list-style-type: none">• Si escucha un programa en FM cerca del televisor con una antena interior, aleje el reproductor del televisor.

continúa

Solución de problemas (continúa)

	Síntoma	Solución
Reproductor de cintas	La cinta permanece inmóvil cuando presiona una tecla de funcionamiento.	<ul style="list-style-type: none"> • Cierre el compartimento de la cinta con firmeza.
	La tecla REC ● no funciona/ La cinta no se reproduce.	<ul style="list-style-type: none"> • Asegúrese de que el cassette está provisto de lengüeta de seguridad. • Asegúrese de que la indicación "TAPE" aparece en el visualizador.
	La cinta no se borra por completo.	<ul style="list-style-type: none"> • Limpie las cabezas borradoras (consulte la página 33). • Sustituya todas las pilas por otras nuevas si están débiles. • Se está reproduciendo una fuente que se grabó en una cinta TYPE II (posición alta) o TYPE IV (metal) con esta unidad. Grabe en una cinta TYPE I (normal) y reproduzca.
	La cinta no puede grabarse.	<ul style="list-style-type: none"> • Asegúrese de que ha insertado la cinta correctamente. • Asegúrese de que el cassette está provisto de lengüeta de seguridad.
	El sonido es débil o de mala calidad.	<ul style="list-style-type: none"> • Limpie las cabezas, el rodillo compresor y el eje de arrastre (consulte la página 33). • Desmagnetice las cabezas con un desmagnetizador (consulte la página 33).
Temporizador	El sonido se distorsiona.	<ul style="list-style-type: none"> • Está utilizando cintas TYPE II (posición alta) o TYPE IV (metal). Emplee sólo cintas TYPE I (normal).
	El temporizador no funciona.	<ul style="list-style-type: none"> • Asegúrese de que el reloj muestra la hora correcta. • Compruebe si se ha producido un corte de suministro de CA. • Compruebe que el visualizador muestra la indicación ⊖ (reloj).
Telemando	El telemando no funciona.	<ul style="list-style-type: none"> • Sustituya todas las pilas del telemando por otras nuevas si están débiles. • Asegúrese de orientar el telemando hacia el sensor remoto del reproductor. • Elimine todos los obstáculos entre el telemando y el reproductor. • Asegúrese de que el sensor remoto no está expuesto a iluminaciones intensas, como la luz solar directa o la luz de una lámpara fluorescente. • Acérquese al reproductor cuando utilice el telemando.

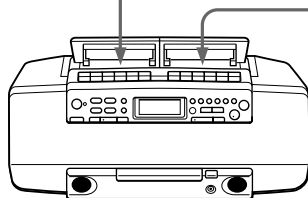
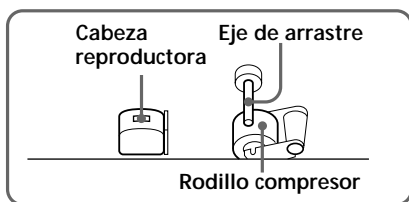
Si los problemas persisten después de haber realizado las soluciones sugeridas, desenchufe el cable de alimentación de CA y extraiga todas las pilas. Una vez que desaparezcan todas las indicaciones del visualizador, enchufe el cable de alimentación y vuelva a insertar las pilas. Si el problema persiste, póngase en contacto con el proveedor Sony más próximo.

Mantenimiento

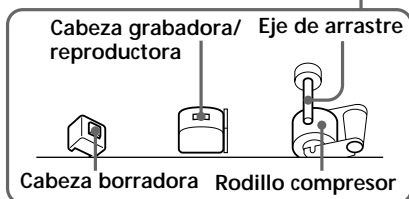
Limpieza de las cabezas y la trayectoria de la cinta

Para obtener una calidad de reproducción y grabación óptima, limpie las cabezas, el rodillo compresor y el eje de arrastre con una escobilla de limpieza ligeramente humedecida en un líquido limpiador o alcohol cada 10 horas de funcionamiento. Sin embargo, para realizar grabaciones con la mayor calidad posible, se recomienda limpiar todas las superficies por las que se desliza la cinta antes de cada grabación.

Platina A



Platina B



Una vez realizada la limpieza, inserte una cinta cuando las zonas limpiadas estén completamente secas.

Desmagnetización de las cabezas de cinta

Tras 20 a 30 horas de uso, se concentra suficiente cantidad de magnetismo residual en las cabezas de cinta para empezar a causar pérdida de sonido de alta frecuencia y siseo. Llegado este momento, deben desmagnetizarse las cabezas y todos los componentes de metal del recorrido de la cinta con un desmagnetizador de cabezas que podrá adquirir en una tienda del ramo.

Limpieza del exterior

Limpie la caja, el panel y los controles con un paño suave ligeramente humedecido en una solución detergente poco concentrada. No utilice estropajos, detergentes abrasivos ni disolventes como alcohol o bencina.

Especificaciones

Sección del reproductor de discos compactos

Sistema

Sistema audiodigital de discos compactos

Propiedades del diodo láser

Material: GaAlAs

Longitud de onda: 780 nm

Duración de emisión: Continua

Salida de láser: Menos de 44,6 μ W

(Esta salida es el valor medido a una distancia de unos 200 mm de la superficie del objetivo del bloque fonocaptor óptico con una apertura de 7 mm)

Velocidad del eje

200 rev./min. (rpm) a 500 rev./min. (rpm) (CLV)

Número de canales

2

Respuesta de frecuencia

20 - 20.000 Hz +1/-2 dB

Fluctuación y trémolo

Por debajo del límite medible

Sección de la radio

Margen de frecuencias

CFD-W57L

FM	Europa central y oriental	65 - 74 MHz
		87,5 - 108 MHz
	Otros países	87,5 - 108 MHz

MW 531 - 1.602 kHz

LW 153 - 279 kHz

CFD-W57

FM 87,6 - 107 MHz

AM 531 - 1.602 kHz (9kHz STEP)
530 - 1.710 kHz (10kHz STEP)

IF

FM: 10,7 MHz

AM/MW/LW: 450 kHz

Antenas

FM: Antena telescópica

AM/MW/LW: Barra de ferrita incorporada

Sección de la grabadora de cassettes

Sistema de grabación

4 pistas, 2 canales estéreo

Tiempo de bobinado rápido

120 s (seg.) aprox. con cassettes Sony C-60

Respuesta de frecuencia

TYPE I (normal): 70 - 12.500 Hz

General

Altavoz

Gama completa : 8 cm. de diám.,
3,2 ohmios, tipo cónico (2)

Salidas

Toma de auriculares (minitoma estéreo)

Para auriculares de 16-64 ohmios de impedancia

Salida máxima de potencia

4,5 W + 4,5 W

Requisitos de alimentación:

Para radiocassette con reproductor de discos compactos:

230 V CA, 50 Hz

12 V CC, 8 pilas de R20 (tamaño D)

Para respaldo de memoria:

6 V CC, 4 pilas R6 (tamaño AA)

Telemando:

3 V CC, 2 pilas R6 (tamaño AA)

Consumo

CA 25 W

Duración de las pilas

Para radiocassette con reproductor de discos compactos:

Grabación de FM

R20P Sony: 4,5 h. aprox.

Alcalinas LR20 Sony: 12 h. aprox.

Reproducción de cintas

R20P Sony: 2 h. aprox.

Alcalinas LR20 Sony: 4,5 h. aprox.

Reproducción de discos compactos

R20P Sony: 2 h. aprox.

Alcalinas LR20 Sony: 4,5 h. aprox.

Dimensiones

444 × 180 × 256 mm. aprox. (an/al/f)
(incluyendo partes salientes)

Peso

7,0 kg. aprox. (incluyendo las pilas)

Accesorios suministrados

Cable de alimentación de CA (1)

Telemando (1)

El diseño y las especificaciones están sujetos a cambio sin previo aviso.

Accesorios opcionales

Auriculares de la serie MDR Sony

Índice alfabético

A, B

Ajuste del reloj 21

C

Conexión del cable de alimentación de CA 25

Creación de su propio programa 16

D

Desmagnetización de las cabezas de cinta 33

E

Emisoras de radio
sintonía 20
memorización 19

Énfasis de audio 28

F

FLASH 18

Fuentes de alimentación 25

G, H, I, J, K

Grabación en una cinta 10

L

Limpieza

exterior 33

cabezas y recorrido de cinta 33

Localización de una canción específica 13

LOOP 18

M, N, O

MEGA BASS 28

Mejora de la recepción de emisoras 7

Memorización de emisoras de radiodifusión 19

P, Q

Pilas

para el reproductor 27

para respaldo de memoria 25

para el telemando 26

Preparativos 25

R

Radio 6

Reproducción

un CD 4

una cinta 8

emisoras de radio

programadas 20

canciones de forma

repetida 14

Reproducción aleatoria 15

Reproducción programada 16

Reproducción repetida 14

Reproductor de CD 12

S

Selección

énfasis de audio 28

canciones 5

Selección de la fuente de alimentación 25

Solución de problemas 31

SOUND 28

T

Temporizador

Desactivación automática de la unidad 24

Activación automática de la unidad 22

U

Utilización del visualizador 12

V, W, X, Y, Z

Visualizador 12

