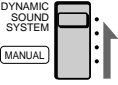
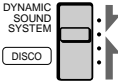
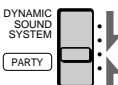
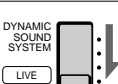


Adjusting the audio emphasis (DYNAMIC SOUND SYSTEM)

Using the 5 BAND GRAPHIC EQUALIZER

Use	To adjust
MEGA BASS	deep bass sound.
400 Hz	speaking voice, middle frequencies of instrumental music.
1 kHz	presence of vocals.
4 kHz	brightness of the sound.
10 kHz	high treble sounds or to reduce high frequency noise/tape hiss.

Using the PRESET MODE

Set the position to	To
MANUAL 	adjust the sound using the 5 BAND GRAPHIC EQUALIZER.
DISCO 	get powerful, clear sounds emphasizing low and high range audio.
PARTY 	get light, bright sounds emphasizing high and middle range audio.
LIVE 	get wide-ranging sounds having presence.

Note

When adjusting the 5 BAND GRAPHIC EQUALIZER, be sure to set the PRESET MODE to MANUAL. The graphic equalizer will not work in any other position.

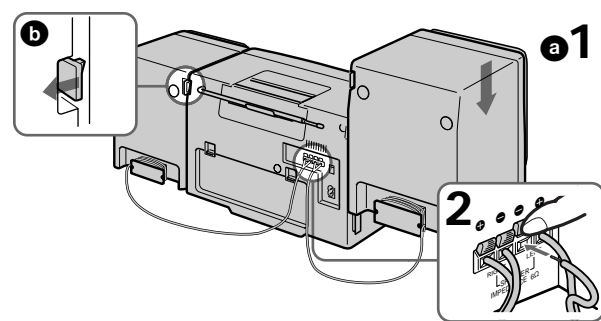
To adjust the sound balance of the right and left speakers.

Use BALANCE.

Setting up the system

Connecting the Speakers

Make sure you turn off the power before making connections.



- Align the grooves and slide the speaker box down until it snaps into place **a**.
- Connect the black wires to (-) minus and the red wires to (+) plus terminals: the right speaker wires to the RIGHT, and the left speaker wires to the LEFT terminals.

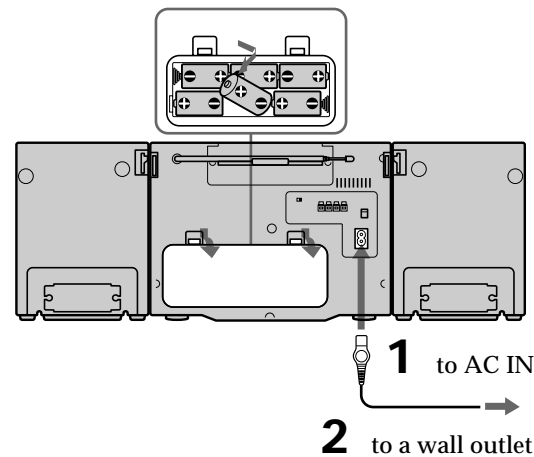
Tip

To detach the speakers, unlock the speaker **b** and slide the speaker box all the way up and away from the player.

Choosing Power Sources

To use the player on AC power source (mains)

Connect the supplied AC power cord to the AC IN jack.

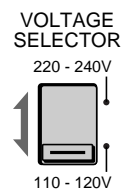


To use the player on batteries

Insert six R20 (size D) batteries (not supplied) into the battery compartment.

To adjust the voltage (CFS-515S only)

Be sure to set the VOLTAGE SELECTOR (at the rear) to your local power supply.



Tip

For customers supplied with an AC plug adaptor, use it if the plug of the mains lead does not match your mains.

Notes

- To use the player on batteries, disconnect the mains lead from the player.
- Replace the batteries when the OPR/BATT indicator dims or when the player stops operating. Replace all batteries with new ones.

SONY®

Radio Cassette- Corder

Operating Instructions

CFS-515S
CFS-515L

Sony Corporation © 1999

Printed in India

3-862-882-61(1)

WARNING

To prevent fire or shock hazard, do not expose the player to rain or moisture. To avoid electrical shock, do not open the cabinet. Refer servicing to qualified personnel only.

Do not install the appliance in a confined space, such as a bookcase or built-in cabinet.

The FUNCTION selector is located at the front.

When you turn on the player, the OPR/BATT indicator lights up.

Precautions

On safety/power sources

- Should any solid object or liquid fall into the player, unplug the player, and have it checked by qualified personnel before operating it any further.
- For AC operation, check that the player's operating voltage is identical with your local power supply (see "Specifications") and use the supplied mains lead; do not use any other type. The voltage selector is located on the rear of the player (CFS-515S only).
- The player is not disconnected from the AC power source (mains) as long as it is connected to the wall outlet, even if the player itself has been turned off.
- For battery operation, use six R20 (size D) batteries.
- When the batteries are not to be used, remove them to avoid damage that can be caused by battery leakage or corrosion.
- The nameplate indicating operating voltage, power consumption, etc. is located at the rear.

On placement/operation

- Do not leave the player in a location near heat sources, or in a place subject to direct sunlight, excessive dust or mechanical shock.
- Do not place anything within 10 mm of the side of the cabinet. The ventilation holes must be unobstructed for the player to operate properly and to prolong the life of its components.
- Since a strong magnet is used for the speakers, keep personal credit cards using magnetic coding or spring-wound watches away from the player to prevent possible damage from the magnet.
- If the player has not been used for a long time, set it in the playback mode to warm it up for a few minutes before inserting a cassette.

If you have questions or problems concerning your player, please consult your nearest Sony dealer.

Troubleshooting

There is no audio.

- Connect the mains lead securely.
- Insert the batteries properly.
- Replace all batteries if they are weak.
- Unplug the headphones.
- Adjust the volume.
- Set FUNCTION to the position you want to operate.

Noise is heard.

- Someone is using a portable telephone or other equipment that emits radio waves near the player. Move the portable telephone, etc., away from the player.

Cassette cannot be inserted.

- Insert the cassette properly.

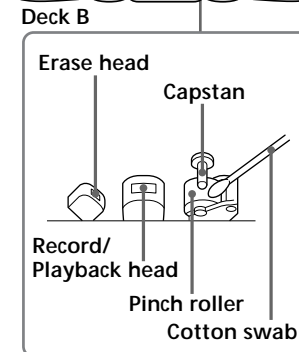
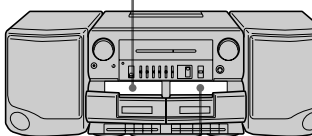
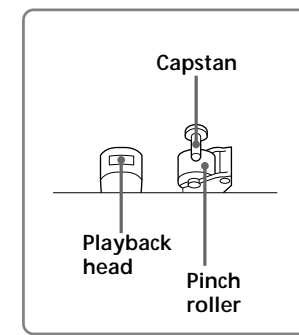
The ● REC button does not function.

- No cassette is in deck B.
- Make sure the safety tab on the cassette is in place.

Poor playback, recording or erasing quality.

- Dirty heads. Clean the unit (as shown) with a cotton swab slightly moistened with cleaning fluid or alcohol.
- Demagnetize the heads and all metal parts in the tape path with a commercially available tape head demagnetizer.

Deck A



Specifications

Frequency range

CFS-515S
FM: Saudi Arabia: 87.6-107 MHz
Other countries: 87.6-108 MHz
MW: 530-1,605 kHz
SW1: 2.3-7 MHz
SW2: 7-22 MHz
CFS-515L
FM: 65-108 MHz
MW: 531-1,602 kHz
LW: 153-279 kHz
SW: 5.95-18 MHz

IF

FM: 10.7MHz
MW/LW/SW: 455 kHz

Aerials

FM/SW: Telescope
MW/LW: Built-in ferrite bar

Recording system

4-track, 2-channel stereo

Frequency response

70-13,000 Hz

Speakers

Full range: 10 cm (4 inches) dia., 6 ohms, cone type/Tweeter: 2 cm (1³/₁₆ inches) dia.

Output

Headphones jack (stereo minijack), for 16-68 ohms impedance headphones

Maximum power output

5 W + 5 W

Battery life

FM Recording: Sony R20P: Approx. 10 hours/Sony LR20 alkaline: Approx. 20 hours

Playback: Sony R20P: Approx. 3.5 hours/Sony LR20 alkaline: Approx. 8 hours

Power requirements

CFS-515S
110-120 V/220-240 V AC selectable, 50/60 Hz

CFS-515L

230 V AC, 50 Hz
9V DC, six R20 (size D) batteries

Power consumption

AC 18 W

Dimensions

Approx. 697 x 211 x 201.5 mm (w/h/d) (27¹/₂ x 8³/₈ x 8 inches) incl. projecting parts and controls, not incl. handle

Mass

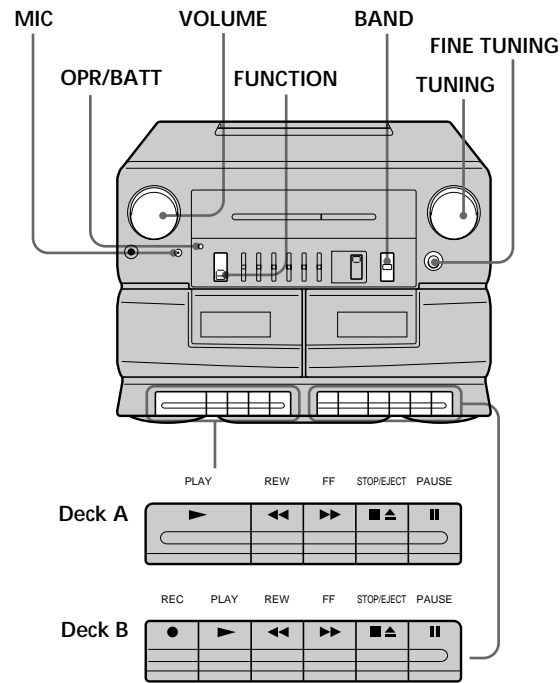
Approx. 5.8 kg (12 lb 13 oz) incl. batteries

Supplied accessory

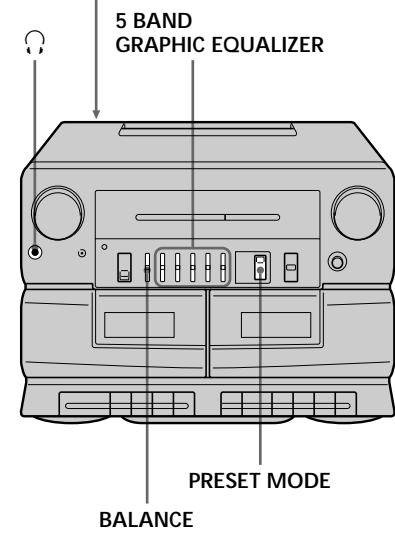
AC power cord (1)

Design and specifications are subject to change without notice.

Location of controls



ISS*
FM MODE/ISS**



* CFS-515S only

** CFS-515L only

Listening to the radio

- Set FUNCTION to RADIO.
- Set BAND to the band you want.
- Tune to the station you want.

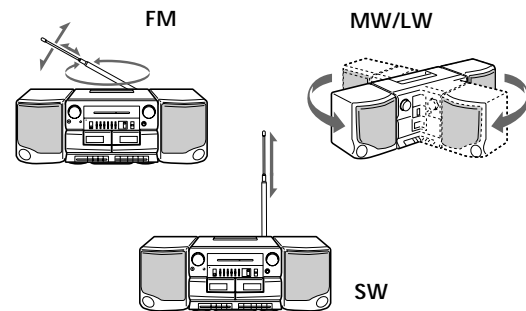
To tune in an SW band, use FINE TUNING for better SW reception.

To turn off the radio

Set FUNCTION to TAPE/RADIO OFF.

To improve broadcast reception

Reorient the aerial for FM. Reorient the player itself for MW/LW. For SW, pull the aerial vertically.



Tips

- If the FM broadcast is noisy, set FM MODE/ISS (at the rear) to MONO and the radio will play in monaural (CFS-515L only).
- To listen through headphones, connect the headphones to the (headphone) jack.
- For best results, move the player away from a TV.

Playing a tape

Use TYPE I (normal) tape only.

- Set FUNCTION to TAPE / RADIO OFF.
- Insert a recorded tape into deck A or B.
- Press PLAY.

To	Press
stop playback	STOP/EJECT
fast-forward or rewind the tape	FF or REW
pause playback	PAUSE Press this button again to resume playback.

Tip

When you play both decks, you will hear only deck B.

Note

Do not press FF, REW or PLAY on the other deck during playback as this causes excessive wow and flutter.

Recording (deck B)

Use TYPE I (normal) tape only.

- To record from the radio
Tune to the station you want.
To record from the built-in microphone
Set FUNCTION to TAPE/RADIO OFF.
- Insert a blank tape into deck B.

With the side you want to record facing you.
- Press REC on deck B.
 PLAY is depressed automatically.

To	Press
stop recording	STOP/EJECT on deck B
pause recording	PAUSE on deck B Press this button again to resume recording.

Tips

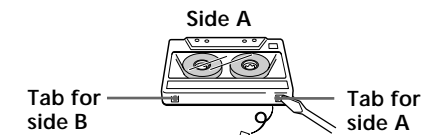
- For best results, use the AC power source.
- Adjusting the volume or the audio emphasis will not affect the recording level.
- If the MW or LW programme makes a whistling sound, set ISS (Interference Suppress Switch) or FM MODE/ISS (at the rear) to the position that more decreases the noise.

Notes

- While recording from the built-in microphone, you cannot monitor the sound through the headphones.
- Do not press FF, REW or PLAY on deck A during recording as this causes excessive wow and flutter.

Notes on cassettes

- Break off the cassette tab from side A or B to prevent accidental recording. If you want to reuse the tape for recording, cover the tab hole with adhesive tape.



- The use of cassettes with more than 90 minutes of play time is not recommended except for long, continuous recording or playback.

Dubbing (deck A to B)

Use TYPE I (normal) tape only.

- To dub at high speed
Set FUNCTION to DUBBING•HIGH.
To dub at normal speed
Set FUNCTION to DUBBING•NORM.
- Insert a recorded tape into deck A, and a blank tape into deck B.

With the side you want to record facing you.
- Press REC on deck B.
 PLAY is depressed automatically.
- Press PLAY on deck A.

To stop dubbing

Press STOP/EJECT on deck A and B.

Tips

- For best results, use the AC power source.
- Do not set the FUNCTION during dubbing as this causes excessive wow and flutter.
- Adjusting the volume or the audio emphasis will not affect the recording level.
- When the tape in deck A ends first, deck B will also stop recording. When the tape in deck B ends first, deck A plays on to the end of the tape.