

CD Radio Cassette-Corder

Operating Instructions page 2^{EN}

EN

Manual de instrucciones página 2^{ES}

ES

*CFD-V14
CFD-V15
CFD-V24*

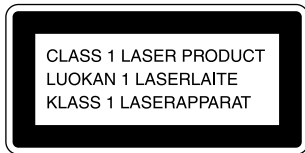
Warning

To prevent fire or shock hazard, do not expose the player to rain or moisture.

To avoid electrical shock, do not open the cabinet. Refer servicing to qualified personnel only.

Information

For customers in Europe



This Compact Disc player is classified as a CLASS 1 LASER product.

The CLASS 1 LASER PRODUCT label is located on the bottom exterior.

WARNING



Do not install the appliance in a confined space, such as a bookcase or built-in cabinet.

The FUNCTION selector is located at the front.

When you turn on the player, the OPR/BATT indicator lights up.

Notice for customers in the United Kingdom

A moulded plug complying with BS 1363 is fitted to this equipment for your safety and convenience.

Should the fuse in the plug supplied need to be replaced, same rating fuse approved by ASTA or BSI to BS 1362, (i.e. marked with  or  mark) must be used.

If the plug supplied with this equipment has a detachable fuse cover, be sure to attach the fuse cover after you change the fuse. Never use the plug without the fuse cover. If you should lose the fuse cover, please contact your nearest Sony service station.

About this manual

The instructions in this manual are for the CFD-V14, CFD-V15 and CFD-V24. Before you start reading, check your model number. The CFD-V15 is the model used for illustration purposes.

Table of contents

Basic Operations

- 4 Playing a CD
 - 6 Listening to the radio
 - 8 Playing a tape
 - 10 Recording on a tape
-

The CD Player

- 12 Using the display
- 13 Locating a specific point in a track
- 14 Playing tracks repeatedly (Repeat Play)
- 15 Playing tracks in random order (Shuffle Play)
- 16 Creating your own program (Program Play)

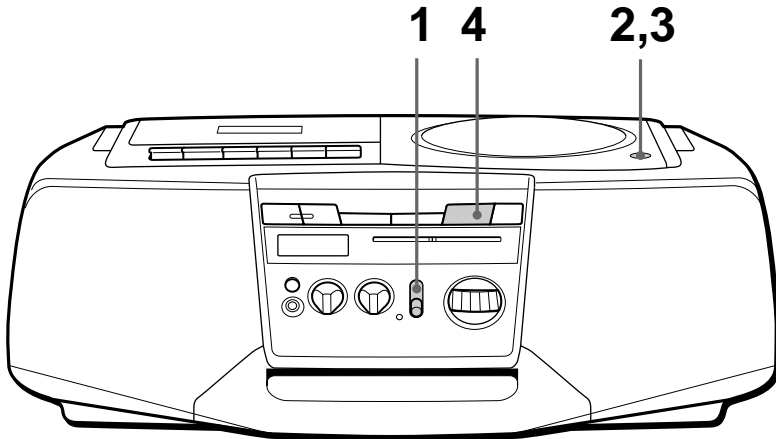
Setting Up

- 17 Choosing the power sources
- 18 Adjusting the sound emphasis (TONE/MEGA BASS)

Additional Information

- 19 Precautions
- 21 Troubleshooting
- 23 Maintenance
- 24 Specifications
- 25 Index

Playing a CD



Connect the supplied AC power cord (see page 17).

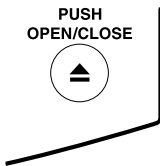
1

Set FUNCTION to CD.

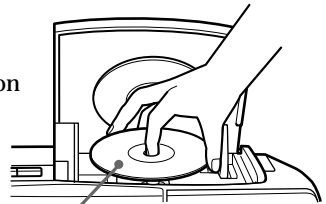


FUNCTION

2

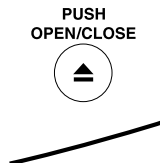


Press  PUSH OPEN/CLOSE down to open the CD compartment and place a CD on the CD compartment.

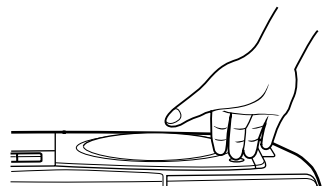


With the label side up

3



Close the CD compartment.



4



Press ▶||.

The player plays all the tracks once.

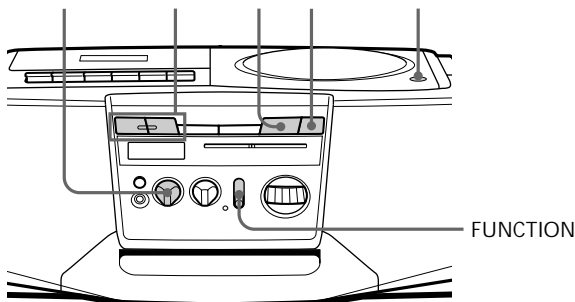
Display



Track number Playing time

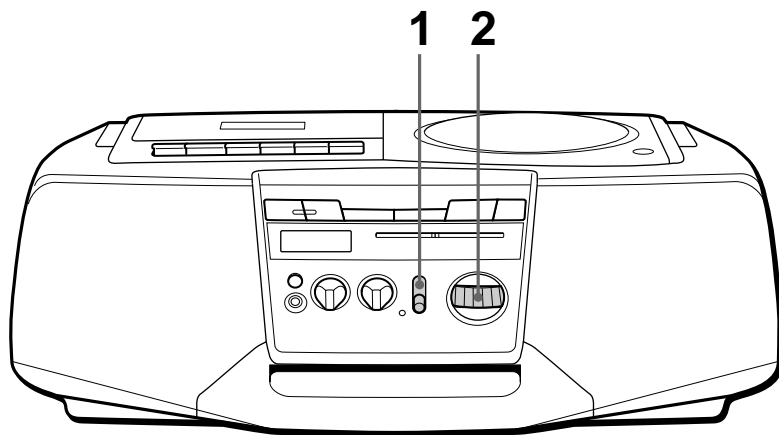
Use these buttons for additional operations

VOLUME ◀◀/▶▶ ▶|| ■ ▲ PUSH OPEN/CLOSE



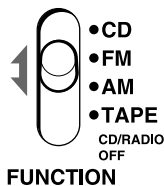
To	Do this
Adjust the volume	Turn VOLUME.
Stop playback	Press ■.
Pause playback	Press ▶ . Press again to resume play after pause.
Go to the next track	Press ▶▶.
Go back to the previous track	Press ◀◀.
Remove the CD	Press ▲ PUSH OPEN/CLOSE.
Turn off the player	Set FUNCTION to TAPE (CD/RADIO OFF).

Listening to the radio



Connect the supplied AC power cord (see page 17).

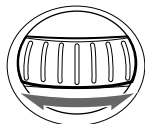
1



FUNCTION

Set **FUNCTION** to FM or AM.

2

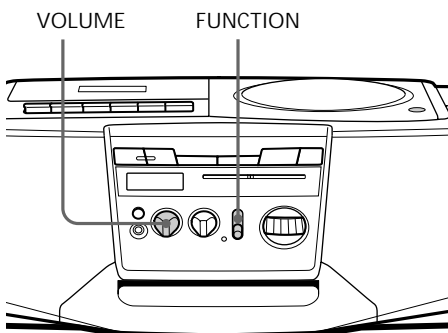


TUNING

Turn **TUNING** to tune in a radio station.

If the received FM stereo is too weak, the reception becomes monaural.

Use these buttons for additional operations



Tip

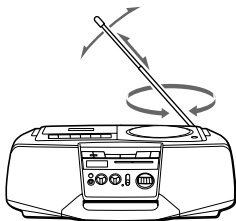
To receive an FM stereo program (only for the models equipped with FM MODE selector at the rear)

Set the FM MODE selector at the rear to STEREO. If the FM broadcast is noisy, set the selector to MONO and the radio will play in monaural.

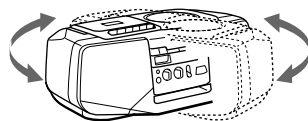
To	Do this
Adjust the volume	Turn VOLUME.
Turn off the radio	Set FUNCTION to TAPE (CD/RADIO OFF).

To improve broadcast reception

Reorient the antenna for FM. Reorient the player itself for AM.

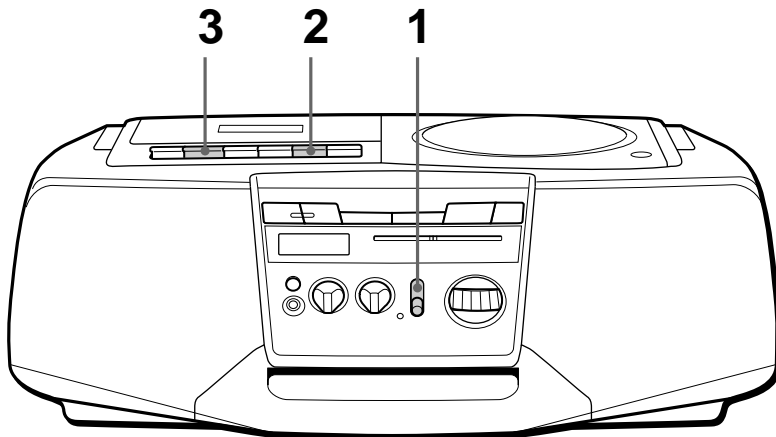


For FM



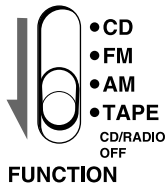
For AM

Playing a tape



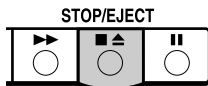
Connect the supplied AC power cord (see page 17).


1

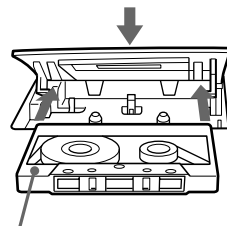


Set FUNCTION to TAPE (CD/RADIO OFF).

2

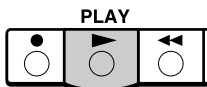


Press  to open the tape compartment and insert a recorded tape. Use TYPE I (normal) tape only. Close the compartment.



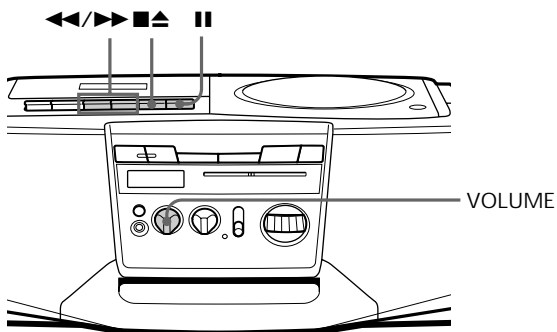
With the side you want to play facing upward

3



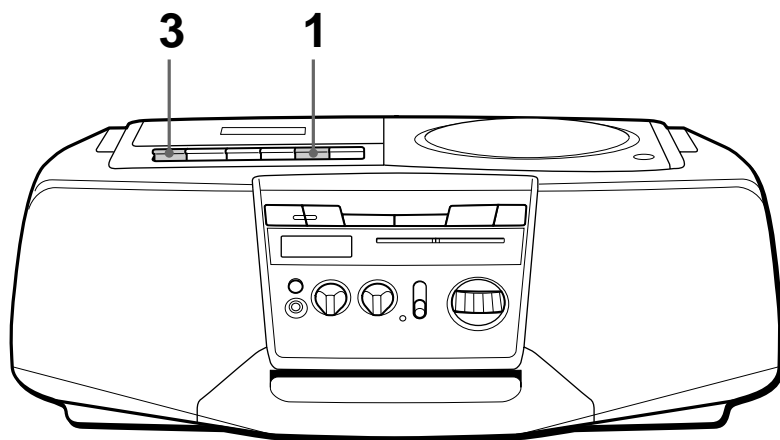
Press .

Use these buttons for additional operations



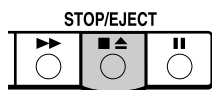
To	Do this
Adjust the volume	Turn VOLUME.
Stop playback	Press ■▲.
Fast-forward or rewind the tape	Press ►► or ◀◀.
Pause playback	Press . Press the button again to resume play after pause.
Eject the cassette	Press ■▲.


Recording on a tape

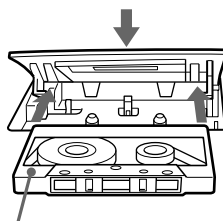


Connect the supplied AC power cord (see page 17).

1



Press  to open the tape compartment and insert a blank tape. Use TYPE I (normal) tape only.



With the side you want to record on facing upward

2

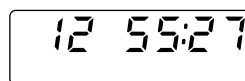


FUNCTION

Select the program source you want to record.

To record from the CD player, set FUNCTION to CD and insert a CD (see page 4).

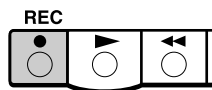
Display



FUNCTION

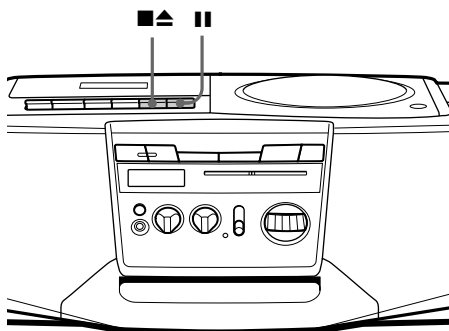
To record from the radio, set FUNCTION to FM or AM and tune in the station you want (see page 6).

3



Press ● to start recording. (▶ is depressed automatically).

Use these buttons for additional operations



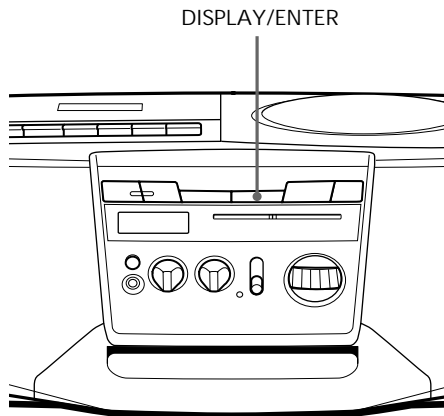
Tips

- Adjusting the volume or the tone will not affect the recording level.
- For the best results, use the AC power as a power source for recording.
- To erase a recording, proceed as follows:
 - 1 Set FUNCTION to TAPE (CD/RADIO OFF).
 - 2 Press ●.

To	Press
Stop recording	■▲
Pause recording	 Press the button again to resume recording.

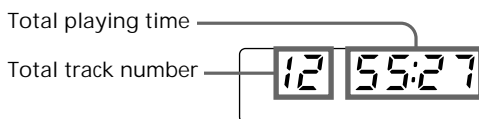
Using the display

You can check information about the CD using the display.



Checking the total track number and playing time

Check the display in stop mode.



Checking the remaining time

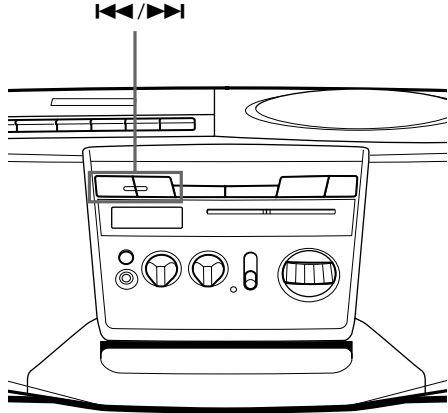
Press DISPLAY/ENTER while playing a CD.

To display	Press DISPLAY/ENTER
Remaining time on the current track*	Once
Remaining time on the CD and the number of tracks left	Twice
Playing time and the current track number	Three times

* For a track whose number is more than 20, the remaining time appears as "- :-" in the display.

Locating a specific point in a track

You can locate a specific point in a track while playing a CD using **▶▶▶** or **◀◀◀**.

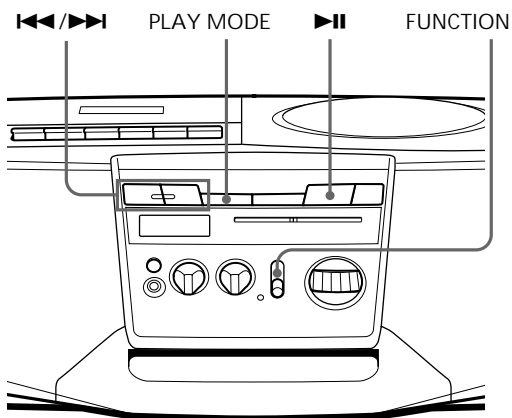


To locate	Press
a point while listening to the sound	▶▶▶ (forward) or ◀◀◀ (backward) while playing and hold down until you find the point.
a point while observing the display	▶▶▶ (forward) or ◀◀◀ (backward) in pause and hold down until you find the point.

Playing tracks repeatedly

(Repeat Play)

You can play tracks repeatedly in normal, shuffle or program play modes (see page 16).



- 1 Set FUNCTION to CD.
- 2 Press PLAY MODE until the repeat mode you want appears in the display.

To repeat	Select
a single track	REP 1
all tracks	REP ALL
tracks in random order	SHUF REP
programed tracks	PGM REP

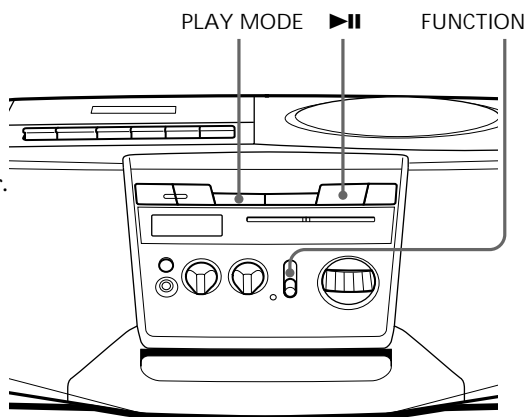
- 3 Do either of the following to start repeat play:
 - When you've selected REP 1, select the track by pressing the **◀◀** or **▶▶** and press **▶▶**.
 - When you've selected REP ALL and SHUF REP, press **▶▶**.
 - When you've selected PGM REP, program tracks (see step 3 on page 16), then press **▶▶**.

To cancel Repeat Play
Press PLAY MODE until "REP" disappears from the display.

Playing tracks in random order

(Shuffle Play)

You can play tracks in random order.



- 1** Set FUNCTION to CD.
- 2** Press PLAY MODE until the “SHUF” appears in the display.
- 3** Press ▶|| to start shuffle play.

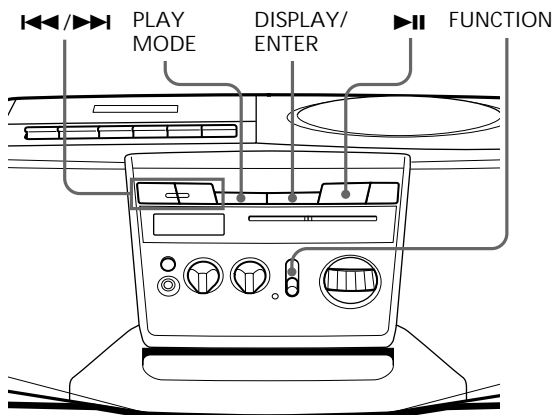
To cancel Shuffle Play

Press PLAY MODE until “SHUF” disappears from the display.

Creating your own program

(Program Play)

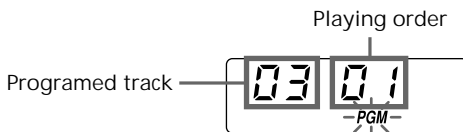
You can arrange the playing order of the tracks on a CD.



Tips

- You can play the same program again, since the program is saved until you open the CD compartment or switch FUNCTION.
- The current program will be erased if you switch FUNCTION or open the CD compartment.
- You can record your own program. After you've created the program, insert a blank tape and press ● to start recording.

- 1 Set FUNCTION to CD.
- 2 Press PLAY MODE until "PGM" appears in the display.
- 3 Press the ◀◀ or ▶▶ then press DISPLAY/ENTER for the tracks you want to program in the order you want. You can program up to 20 tracks.



- 4 Press ▶▶ to start program play.

To cancel Program Play

Press PLAY MODE until "PGM" disappears from the display.

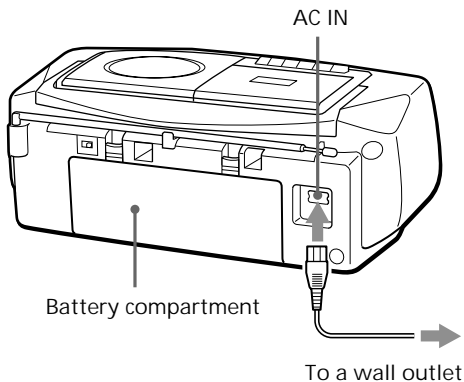
To change the current program

Press ■ once if the CD is stopped and twice if the CD is playing. The current program will be erased. Then create a new program following the programming procedure.

Choosing the power sources

You can use the AC power or batteries as a power source.

Use the AC power source whenever you record since recording consumes much power.



Tip

Only for the customers supplied with an AC plug adaptor:

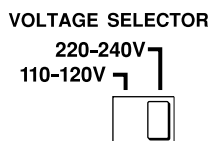
Use the supplied AC plug adaptor if the plug of the AC power cord does not match your outlet.

Connecting the AC power cord

Insert one end of the supplied AC power cord to the AC IN socket located at the rear of the player, and the other end to the wall outlet.

Adjusting the voltage (only for the models equipped with the VOLTAGE SELECTOR at the bottom)

Be sure to set the VOLTAGE SELECTOR (at the bottom) to your local power supply.



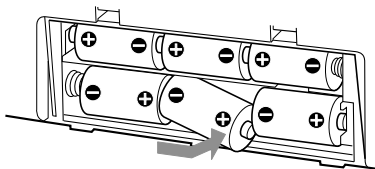
Tip

Replace the batteries when the OPR/BATT indicator dims or when the player stops operating. Replace all the batteries with new ones. Before you replace the batteries, be sure to take out the CD from the player.

Using the player on batteries

Insert six R20 (size D) batteries (not supplied) into the battery compartment.

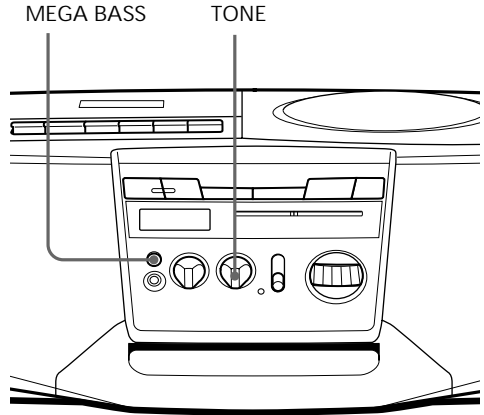
To use the player on batteries, disconnect the AC power cord from the player.



Adjusting the sound emphasis

(TONE/MEGA BASS)

You can adjust the tone. You can also reinforce the bass sound (CFD-V15/V24 only).



Adjusting the tone

Turn TONE.

Turn the control clockwise to enhance the high tone and counterclockwise to enhance the low tone.

Reinforcing the bass sound (CFD-V15/V24 only)

Press MEGA BASS.

To return to normal sound, press the button again.

Precautions

On safety

- As the laser beam used in the CD player section is harmful to the eyes, do not attempt to disassemble the casing. Refer servicing to qualified personnel only.
- Should any solid object or liquid fall into the player, unplug the player, and have it checked by qualified personnel before operating it any further.

On power sources

- For AC operation, check that the player's operating voltage is identical with your local power supply (see "Specifications") and use the supplied AC power cord; do not use any other type. The voltage selector is located at the bottom of the player (for the models equipped with the VOLTAGE SELECTOR at the bottom).
- The player is not disconnected from the AC power source (mains) as long as it is connected to the wall outlet, even if the player itself has been turned off.
- For battery operation, use six R20 (size D) batteries.
- When the batteries are not to be used, remove them to avoid damage that can be caused by battery leakage or corrosion.
- The nameplate indicating operating voltage, power consumption, etc. is located at the bottom.

On placement

- Do not leave the player in a location near heat sources, or in a place subject to direct sunlight, excessive dust or mechanical shock.
- Do not place the player on an inclined or unstable place.
- Do not place anything within 10 mm of the side of the cabinet. The ventilation holes must be unobstructed for the player to operate properly and prolong the life of its components.
- If the player is left in a car parked in the sun, be sure to choose a location in the car where the player will not be subjected to the direct rays of the sun.
- Since a strong magnet is used for the speakers, keep personal credit cards using magnetic coding or spring-wound watches away from the player to prevent possible damage from the magnet.

On operation

- If the player is brought directly from a cold to a warm location, or is placed in a very damp room, moisture may condense on the lenses inside the CD player section. Should this occur, the player will not operate properly. In this case, remove the CD and wait about an hour for the moisture to evaporate.
- If the player has not been used for a long time, set it in the playback mode to warm it up for a few minutes before inserting a cassette.

If you have any questions or problems concerning your player, please consult your nearest Sony dealer.

continued

Precautions (continued)

Notes on CDs

- Before playing, clean the CD with a cleaning cloth. Wipe the CD from the center out.

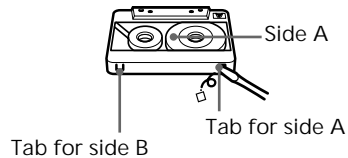


- Do not use solvents such as benzene, thinner, commercially available cleaners or anti-static spray intended for vinyl LPs.
- Do not expose the CD to direct sunlight or heat sources such as hot air ducts, nor leave it in a car parked in direct sunlight as there can be a considerable rise in temperature inside the car.
- Do not stick paper or sticker on the CD, nor scratch the surface of the CD.
- After playing, store the CD in its case.

If there is a scratch, dirt or fingerprints on the CD, it may cause tracking error.

Notes on cassettes

- Break off the cassette tab from side A or B to prevent accidental recording. If you want to reuse the tape for recording, cover the broken tab with adhesive tape.



- The use of a cassette with more than 90 minutes of play time is not recommended except for long, continuous recording or playback.

Troubleshooting

	Symptom	Remedy
General	The power does not come on.	<ul style="list-style-type: none"> • Connect the AC power cord securely. • Make sure the batteries are inserted correctly. • Replace all the batteries with new ones if they are weak.
	There is no audio.	<ul style="list-style-type: none"> • Make sure the FUNCTION selector is set to the function you want to operate. • Adjust the volume. • Unplug the headphones when listening through speakers.
Radio	The audio is weak or has poor quality.	<ul style="list-style-type: none"> • Replace all the batteries with new ones if they are weak. • Move the player away from the TV.
	The picture of your TV becomes unstable.	<ul style="list-style-type: none"> • If you are listening to an FM program near the TV with an indoor antenna, move the player away from the TV.
CD Player	The CD does not play/“00 -- --” lights in the display even when a CD is in place.	<ul style="list-style-type: none"> • Make sure that the CD compartment is closed. • Place the CD with the label surface up. • Clean the CD. • Take out the CD and leave the CD compartment open for about an hour to dry moisture condensation. • Make sure the FUNCTION selector is set to CD.
	The sound drops out.	<ul style="list-style-type: none"> • Reduce the volume. • Clean the CD, or replace it if the CD is badly damaged • Place the player in a location free from vibration.
Tape Player	The tape does not move when you press an operation button.	<ul style="list-style-type: none"> • Close the cassette compartment securely.
	The REC ● button does not function/The tape does not play.	<ul style="list-style-type: none"> • Make sure the safety tab on the cassette is in place. • Make sure the FUNCTION selector is set to CD, AM or FM.
	The tape does not erase completely.	<ul style="list-style-type: none"> • Clean the erasing heads (see page 23.) • Replace all the batteries with new ones if they are weak.

continued

Troubleshooting (continued)

	Symptom	Remedy
Tape Player	The tape does not record.	<ul style="list-style-type: none">• Make sure the tape is inserted properly.• Make sure the safety tab of the cassette is in place.
	The audio is weak/The audio quality is poor.	<ul style="list-style-type: none">• Clean the heads, pinch roller and capstan (See page 23).• Demagnetize the heads using a demagnetizer (see page 23).
	The sound is distorted.	<ul style="list-style-type: none">• The TYPE II (high position) or TYPE IV (metal) tape is being used. Use TYPE I (normal) tape only.

After trying the above remedies, if you still have problems, unplug the AC power cord and remove all the batteries. After all the indications in the display disappear, plug the power cord and insert the batteries again. If the problem persists, please consult your nearest Sony dealer.

Maintenance

Cleaning the lens

If the lens becomes dirty, it may cause a skipping of sound during CD operation. Clean with a commercially available blower.

Cleaning the tape heads and tape path

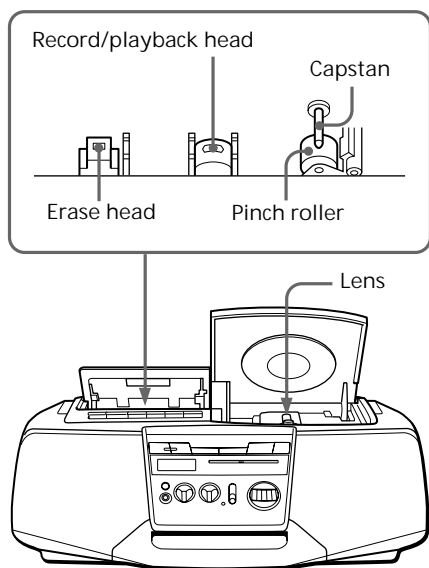
Wipe the heads, the pinch roller and the capstan with a cleaning swab slightly moistened with cleaning fluid or alcohol after every 10 hours of operation for optimum playback and recording quality. To make the best possible recording, however, we recommend that you clean all surfaces over which tape travels before each recording.

Demagnetizing the tape heads

After 20 to 30 hours of use, enough residual magnetism will have built up on the tape heads to begin to cause loss of high frequency sound and hiss. At this time, you should demagnetize the heads and all metal parts in the tape path with a commercially available tape head demagnetizer.

Cleaning the cabinet

Clean the cabinet, panel and controls with a soft cloth slightly moistened with a mild detergent solution. Do not use any type of abrasive pad, scouring powder, or solvent, such as alcohol or benzine.



After cleaning, insert a tape when the areas cleaned are completely dry.

Specifications

CD player section

System

Compact disc digital audio system

Laser diode properties

Material: GaAlAs

Wave length: 780 nm

Emission duration: Continuous

Laser output: Less than 44.6 μ W

(This output is the value measured at a distance of about 200 mm from the objective lens surface on the optical pick-up block with 7 mm aperture.)

Spindle speed

200 r/min (rpm) to 500 r/min (rpm) (CLV)

Number of channels

2

Frequency response

20 - 20,000 Hz +1/-2 dB

Wow and flutter

Below measurable limit

Radio section

Frequency range

Europe, Italy and Korea

FM	Europe and Korea	87.6 - 107 MHz
	Italy	87.5 - 108 MHz
	Central and Eastern Europe	65 - 108 MHz

AM	Europe and Korea	531 - 1,602 kHz
	Italy	526.5 - 1,606.5 kHz

Saudi Arabia and other countries

FM	Saudi Arabia	87.6 - 107 MHz
	Tourist model	76 - 108 MHz
	Other models	87.6 - 108 MHz or 87.6 - 107 MHz

AM	Tourist model	530 - 1,629 kHz
	Other models	530 - 1,605 kHz or 531 - 1,602 kHz

IF

FM: 10.7 MHz

AM: 455kHz

Aerials

FM: Telescopic aerial

AM: Built-in ferrite bar aerial

Cassette-corder section

Recording system

4-track 2 channel stereo

Fast winding time

Approx. 120 s (sec.) with Sony cassette C-60

Frequency response

TYPE I (normal): 70 - 10,000 Hz

General

Speaker

Full range: 10 cm dia., 3.2 ohms, cone type (2)

Outputs

Headphones jack (stereo minijack)

For 16 - 68 ohms impedance headphones

Maximum power output (excluding Korean model)

2.3 W + 2.3 W

Power output (Korean model)

1.6 W + 1.6 W (at 3.2 ohm, 10 % harmonic distortion in AC operation)

Power requirements

For CD radio cassette-corder

Europe

230 V AC, 50 Hz

Korea

220 V AC, 60 Hz

Other countries

110 - 120, 220 - 240 V AC selectable, 50/60 Hz
or 230 V AC, 50 Hz

9 V DC, 6 R20 (size D) batteries

Power consumption

Korean model: AC 15 W

Other models: AC 20 W

Battery life

For CD radio cassette-corder:

FM recording

Sony R20P: approx. 13.5 h

Sony alkaline LR20: approx. 20 h

Tape playback

Sony R20P: approx. 7.5 h

Sony alkaline LR20: approx. 15 h

CD playback

Sony R20P: approx. 2.5 h

Sony alkaline LR20: approx. 7 h

Dimensions

Approx. 425 \times 160 \times 246 mm (w/h/d)
(16 $\frac{3}{4}$ \times 6 $\frac{3}{8}$ \times 9 $\frac{3}{4}$ inches) (incl. projecting parts)

Mass

Approx. 4.0 kg (8 lb. 13 oz) (incl. batteries)

Supplied accessory

AC power cord (1)

Design and specifications are subject to change without notice.

Optional accessories

Sony MDR headphone series

Index

A

Adjusting
 sound emphasis 18
 tone 18

B

Batteries
 for player 17

C

CD player 12
Choosing power sources 17
Cleaning
 cabinet 23
 tape heads and tape path
 23
Creating your own
 program 16

D, E, F, G, H

Demagnetizing the tape
 heads 23
Display 12

I, J, K

Improving broadcast
 reception 7

L

Listening to the radio 6
Locating a specific point in a
 track 13

M, N, O

MEGA BASS 18

P, Q

Playing
 a CD 4
 a tape 8
 tracks repeatedly 14
Power sources 17
Program Play 16

R

Recording on a tape 10
Repeat Play 14

S

Selecting tracks 5
Setting up 17
Sound emphasis 18

T

TONE 18
Troubleshooting 21

U

Using the display 12

V, W, X, Y, Z

Voltage selector 17

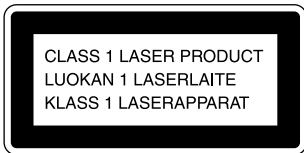
ADVERTENCIA

Para evitar incendios o el riesgo de electrocución, no exponga el reproductor a la lluvia ni a la humedad.

Para evitar descargas eléctricas, no abra el sistema. En caso de avería, solicite sólo los servicios de personal especializado.

Información

Para los clientes de Europa



Este reproductor de discos compactos está clasificado como producto láser de clase 1. La etiqueta CLASS 1 LASER PRODUCT se encuentra en la parte inferior.

ADVERTENCIA

No instale el aparato en un espacio cerrado, como una estantería para libros o un armario empotrado.

El selector FUNCTION está situado en la parte frontal.

Al activar el reproductor, el indicador OPR/BATT se ilumina.

Acerca de este manual

Las instrucciones de este manual hacen referencia a los modelos CFD-V14, CFD-V15 y CFD-V24. Antes de comenzar a leerlas, compruebe el número de modelo. Se ha utilizado el modelo CFD-V15, para las ilustraciones.

Indice

Procedimientos básicos

- 4 Reproducción de un disco compacto
 - 6 Radiorecepción
 - 8 Reproducción de cintas
 - 10 Grabación en una cinta
-

Reproductor de discos compactos (CD)

- 12 Utilización del visualizador
- 13 Localización de un punto específico de una canción
- 14 Reproducción repetida de canciones (Reproducción repetida)
- 15 Reproducción de temas en orden aleatorio (Reproducción aleatoria)
- 16 Creación de su propio programa (Reproducción de programa)

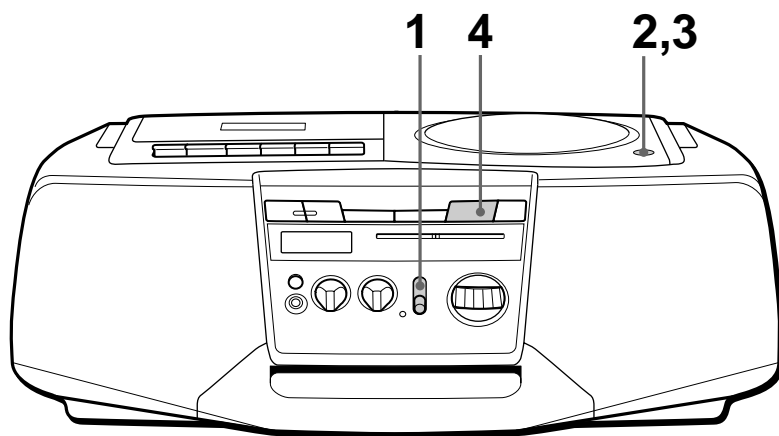
Instalación

- 17 Selección de las fuentes de alimentación
- 18 Ajuste del énfasis de sonido (TONE/MEGA BASS)

Información complementaria

- 19 Precauciones
- 21 Solución de problemas
- 23 Mantenimiento
- 24 Especificaciones
- 25 Índice alfabético

Reproducción de un disco compacto



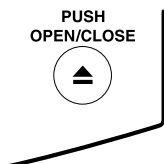
Conecte el cable de alimentación de CA suministrado (consulte la página 17).

1



Ajuste FUNCTION en CD.

2

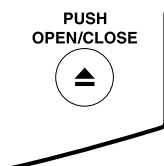


Presione ▲ PUSH OPEN/CLOSE para abrir el compartimiento de discos e inserte uno.

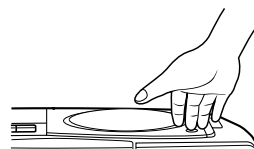


Con la superficie de la etiqueta hacia arriba

3



Cierre el compartimiento de discos.



4



Presione ►||.

El reproductor reproduce todas las canciones una vez.

Visualizador

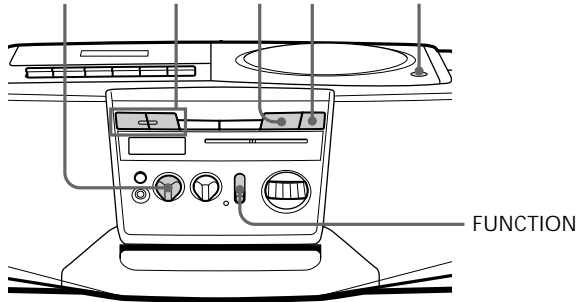


Número de canción

Tiempo de reproducción

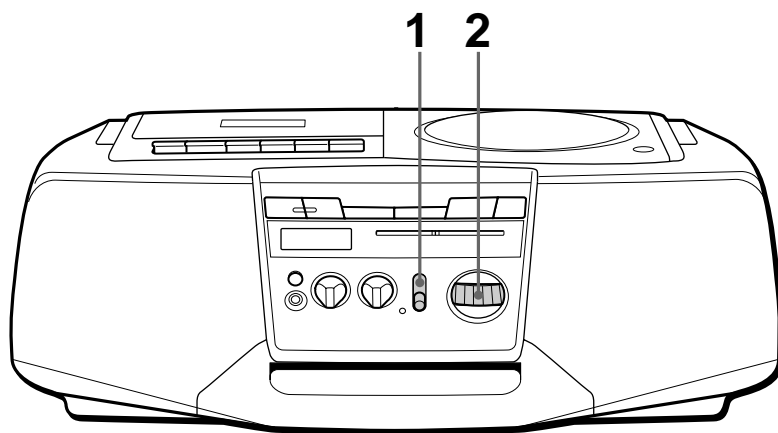
Utilice estas teclas para realizar procedimientos adicionales

VOLUME ◀◀/▶▶ ►|| ■ ▲ PUSH OPEN/CLOSE



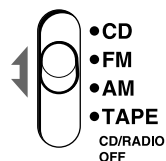
Para	Realice lo siguiente
Ajustar el volumen	Gire VOLUME.
Detener la reproducción	Presione ■.
Realizar una pausa	Presione ► . Vuelva a presionar para reanudar la reproducción después de la pausa.
Pasar a la siguiente canción	Presione ►▶.
Retroceder a la canción anterior	Presione ◀◀.
Extraer el disco	Presione ▲ PUSH OPEN/CLOSE.
Apagar el reproductor	Ajuste FUNCTION en TAPE (CD/RADIO OFF).

Radiorecepción



Conecte el cable de alimentación de CA suministrado (consulte la página 17).

1



FUNCTION

Ajuste **FUNCTION** en FM o AM.

2

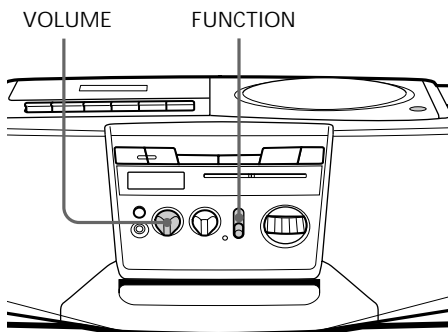


TUNING

Gire **TUNING** para sintonizar una emisora de radio.

Si la emisora de FM estéreo recibida es demasiado débil, la recepción será monofónica.

Utilice estas teclas para realizar procedimientos adicionales



Consejo

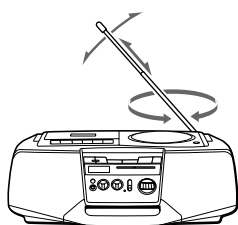
Para recibir un programa de FM en estéreo (sólo los modelos con selector FM MODE en la parte posterior)

Ajuste el selector FM MODE de la parte posterior en STEREO. Si la emisión de FM presenta ruido, ajuste el selector en MONO (la recepción de la emisión será monofónica).

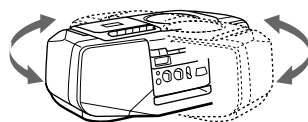
Para	Realice lo siguiente
Ajustar el volumen	Gire VOLUME.
Apagar la radio	Ajuste FUNCTION en TAPE (CD/RADIO OFF).

Para mejorar la recepción de la radio

Reoriente la antena para FM. Reoriente el reproductor para AM.

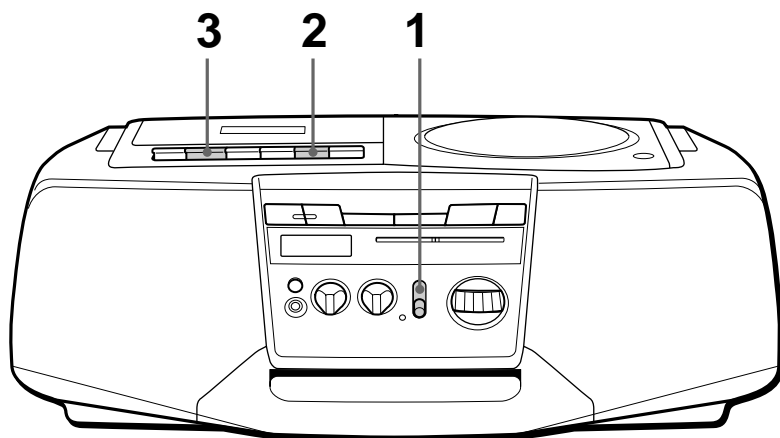


Para FM



Para AM

Reproducción de cintas



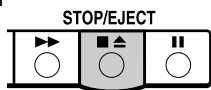
Conecte el cable de alimentación de CA suministrado (consulte la página 17).

1

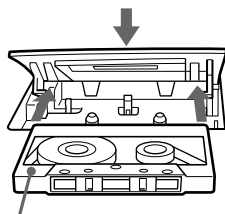


Ajuste FUNCTION en TAPE(CD/RADIO OFF).

2



Presione para abrir el compartimento de la cinta e inserte una cinta grabada. Utilice sólo cintas TYPE I (normal). Cierre el compartimento.

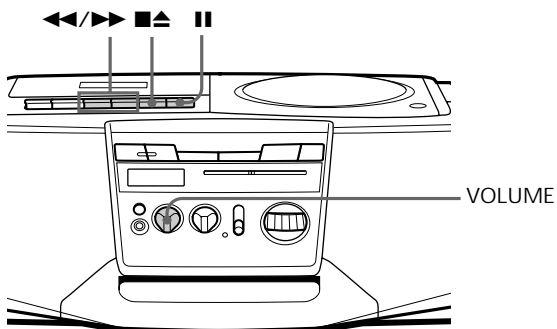


3



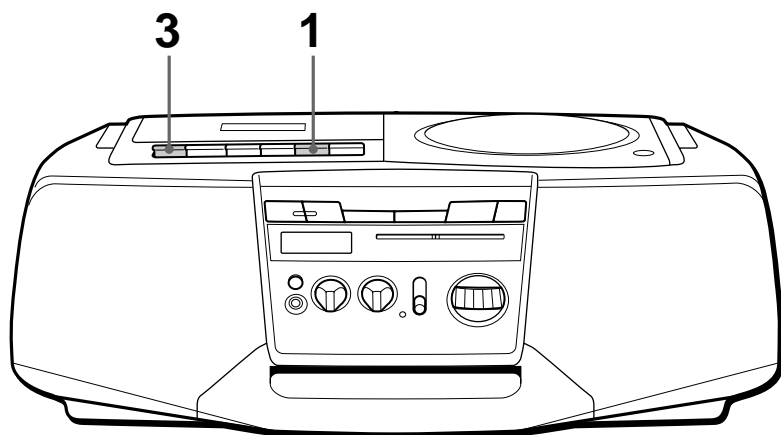
Presione .

Utilice estas teclas para realizar procedimientos adicionales



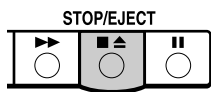
Para	Realice lo siguiente
Ajustar el volumen	Gire VOLUME.
Detener la reproducción	Presione ■▲.
Avanzar rápidamente o rebobinar la cinta	Presione ►► o ◀◀.
Realizar una pausa	Presione . Vuelva a presionar la tecla para reanudar la reproducción después de la pausa.
Extraer el cassette	Presione ■▲.

Grabación en una cinta

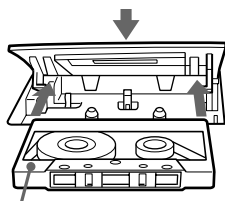


Conecte el cable de alimentación de CA suministrado (consulte la página 17).

1



Presione para abrir el compartimiento de cintas e inserte una cinta en blanco. Utilice sólo cintas TYPE I (normal).



Con la cara que desee grabar hacia arriba

2

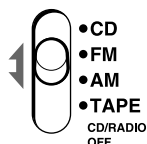
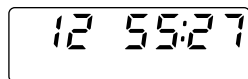


FUNCTION

Seleccione la fuente de programa que desee grabar.

Para grabar desde el reproductor de discos compactos, ajuste FUNCTION en CD e inserte un disco compacto (consulte la página 4).

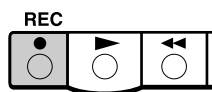
Visualizador



FUNCTION

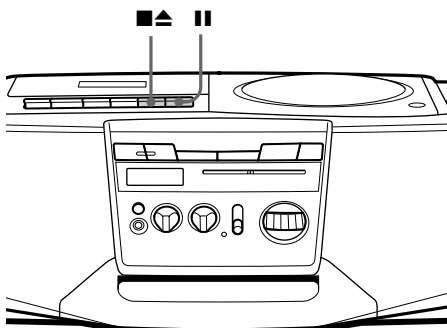
Para grabar de la radio, ajuste FUNCTION en FM o AM y sintonice la emisora que desee (consulte la página 6).

3



Presione ● para iniciar la grabación. (▶ se presiona automáticamente).

Utilice estas teclas para realizar operaciones adicionales



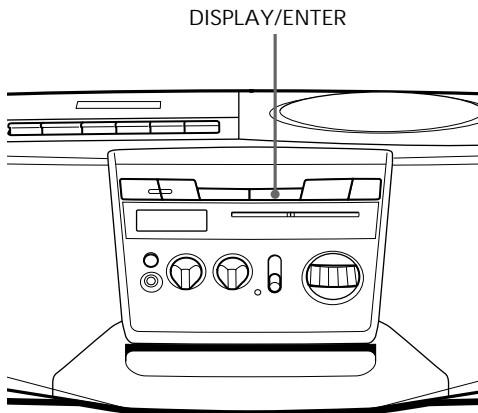
Consejos

- El ajuste del volumen o del tono no afectará al nivel de grabación.
- Para obtener los mejores resultados de grabación, utilice CA como fuente de alimentación.
- Para borrar una grabación, realice lo siguiente:
 - 1 Ajuste FUNCTION en TAPE (CD/RADIO OFF).
 - 2 Presione ●.

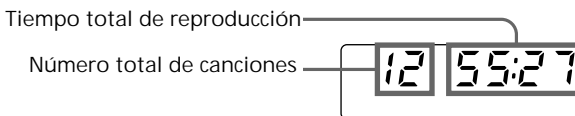
Para	Presione
Detener la grabación	■▲
Realizar una pausa durante la grabación	 Vuelva a presionar la tecla para reanudar la grabación.

Utilización del visualizador

Puede comprobar la información sobre el disco en el visualizador.



Comprobación del número total de canciones y del tiempo de reproducción
Compruebe el visor en modo de parada.



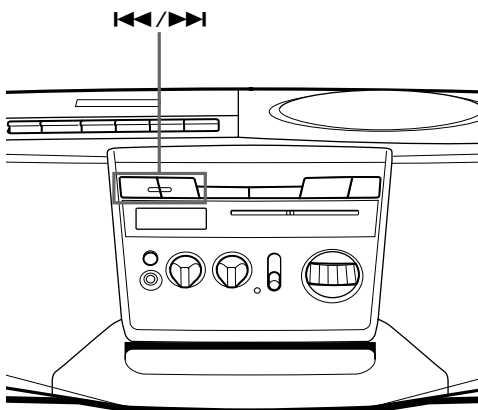
Comprobación del tiempo restante
Presione DISPLAY/ENTER mientras reproduce un disco.

Para visualizar	Presione DISPLAY/ENTER
Tiempo restante de la canción actual*	Una vez
Tiempo y número de canciones del disco restantes	Dos veces
Tiempo de reproducción y número de la canción actual	Tres veces

* Para una canción cuyo número es superior a 20, el tiempo restante aparece como “- :- -” en el visualizador.

Localización de un punto específico de una canción

Puede localizar un punto específico de una canción con ►► o ◀◀ mientras reproduce un CD.

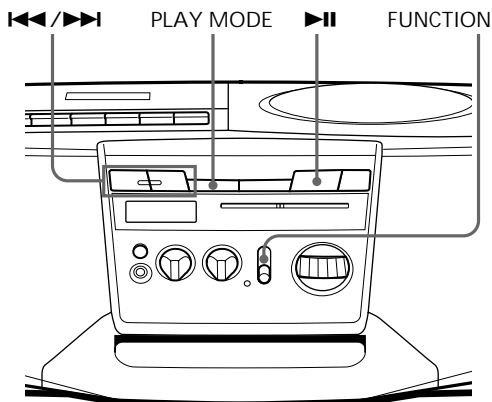


Para localizar	Presione
Un punto mientras escucha el sonido	►► (hacia delante) o ◀◀ (hacia atrás) durante la reproducción y manténgala presionada hasta encontrar el punto.
Un punto mientras observa el visualizador	►► (hacia delante) o ◀◀ (hacia atrás) durante una pausa y manténgala presionada hasta encontrar el punto.

Reproducción repetida de canciones

(Reproducción repetida)

Puede reproducir las canciones repetidamente en los modos de reproducción normal, aleatoria o de programa (consulte la página 16).



- 1 Ajuste FUNCTION en CD.
- 2 Presione PLAY MODE hasta que el modo de repetición deseado aparezca en el visualizador.

Para repetir	Seleccione
Una sola canción	REP 1
Todas las canciones	REP ALL
Canciones en orden aleatorio	SHUF REP
Canciones programadas	PGM REP

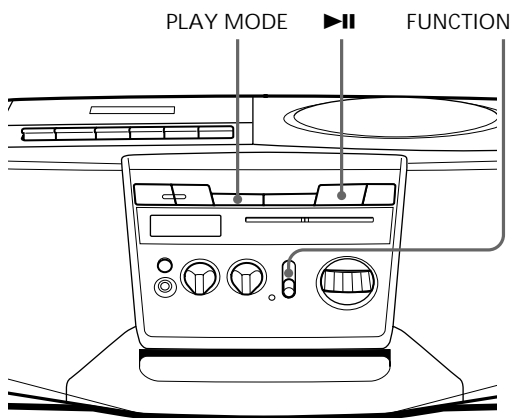
- 3 Realice cualquiera de las siguientes operaciones para iniciar la reproducción repetida:
 - Después de seleccionar REP1, seleccione la canción presionando ◀◀ o ▶▶, y presione ▶▶.
 - Después de seleccionar REP ALL y SHUF REP, presione ▶▶.
 - Después de seleccionar PGM REP, programe las canciones (consulte el paso 3 de la página 16) y presione ▶▶.

Para cancelar la reproducción repetida
Presione PLAY MODE hasta que "REP" desaparezca del visualizador.

Reproducción de temas en orden aleatorio

(Reproducción aleatoria)

Es posible reproducir temas en orden aleatorio.



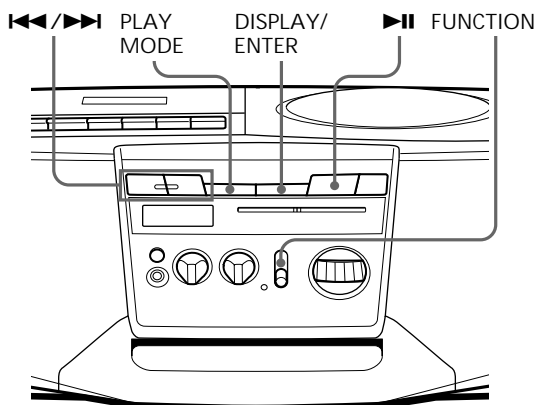
- 1** Ajuste FUNCTION en CD.
- 2** Presione PLAY MODE hasta que “SHUF” aparezca en el visualizador.
- 3** Presione ▶|| para iniciar la reproducción aleatoria.

Para cancelar la reproducción aleatoria
Pulse PLAY MODE hasta que “SHUF” desaparezca del visualizador.

Creación de su propio programa

(Reproducción de programa)

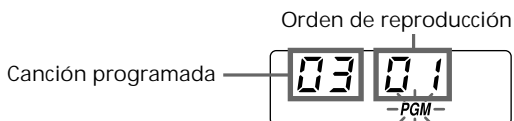
Puede establecer el orden de reproducción de las canciones de un disco.



Consejos

- Puede reproducir de nuevo el mismo programa, ya que el programa queda almacenado hasta que se abra el compartimiento de discos o se cambie FUNCTION.
- El programa actual se borrará si cambia FUNCTION o abre el compartimiento de discos.
- Es posible grabar un programa propio. Después de crear el programa, inserte una cinta en blanco y presione ● para iniciar la grabación.

- 1 Ajuste FUNCTION en CD.
- 2 Presione PLAY MODE hasta que la indicación "PGM" aparezca en el visualizador.
- 3 Presione ◀◀ o ▶▶ y, a continuación, presione DISPLAY/ENTER para las canciones que desee programar en el orden que desee. Puede programar un máximo de 20 canciones.



- 4 Presione ▶▶ para iniciar la reproducción programada.

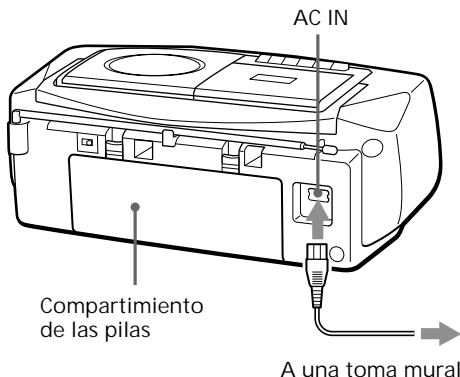
Para cancelar la reproducción programada Presione PLAY MODE hasta que "PGM" desaparezca del visualizador.

Para cambiar el programa actual Presione ■ una vez si el disco compacto está parado y dos veces si está reproduciéndose. El programa actual se borrará. A continuación, cree un nuevo programa siguiendo el procedimiento de programación.

Selección de las fuentes de alimentación

Puede utilizar la alimentación de CA o las pilas como fuente de alimentación.

Se recomienda utilizar la fuente de alimentación de CA cuando realice grabaciones, ya que éstas requieren un alto consumo de energía.



Consejo

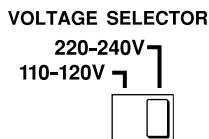
Sólo para clientes provistos del adaptador de enchufe de CA suministrado:

Utilice el adaptador de enchufe de CA suministrado si el enchufe del cable de alimentación de CA no encaja en la toma.

Conexión del cable de alimentación de CA
 Inserte un extremo del cable de alimentación de CA suministrado en la clavija AC IN situada en la parte posterior del reproductor, y el otro extremo en la toma mural.

Ajuste de la tensión (sólo para los modelos equipados con VOLTAGE SELECTOR (Selector de tensión) en la parte inferior)

Compruebe que ha seleccionado en VOLTAGE SELECTOR (situado en la parte inferior) la tensión de alimentación local.

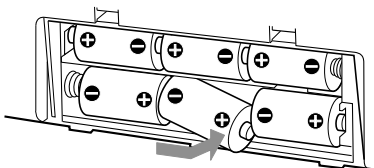


Consejo

Sustituya todas las pilas por otras nuevas si el indicador OPR/ BATT presenta una luz tenue, o si el reproductor deja de funcionar. Antes de sustituir las pilas, asegúrese de extraer el disco compacto del reproductor.

Utilización del reproductor con pilas
 Inserte seis pilas R20 (tamaño D) (no suministradas) en el compartimiento de pilas.

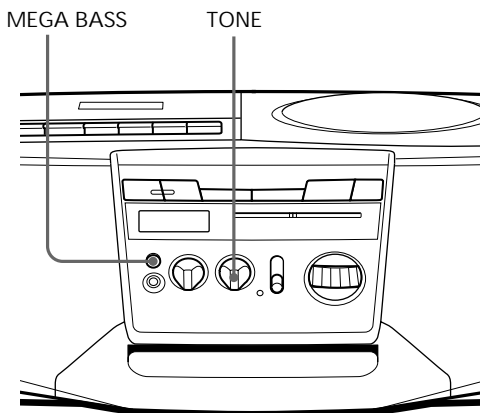
Para utilizar el reproductor con las pilas, desconecte el cable de alimentación de CA del mismo.



Ajuste del énfasis de sonido

(TONE/MEGA BASS)

Es posible ajustar el tono. También es posible reforzar los graves (sólo CFD-V15/V24).



Ajuste del tono

Gire TONE.

Gire el control en el sentido de las agujas del reloj para mejorar el tono de altos y en sentido contrario a las agujas del reloj para mejorar el tono de bajos.

Refuerzo de los graves (sólo CFD-V15/V24)

Presione MEGA BASS.

Para recuperar el sonido normal, vuelva a presionar la tecla.

Precauciones

Seguridad

- No desmonte el aparato, ya que el haz láser utilizado en la sección del reproductor de discos compactos es perjudicial para los ojos. Solicite asistencia técnica sólo a personal especializado.
- Si cae algún objeto sólido o se vierte líquido sobre el reproductor, desenchúfelo y haga que sea revisado por personal especializado antes de volver a utilizarlo.

Fuentes de alimentación

- Para utilizar CA, compruebe que la tensión de funcionamiento del reproductor es idéntica a la del suministro de alimentación local (consulte “Especificaciones”) y utilice el cable de alimentación de CA suministrado; no emplee ningún otro tipo de cable. El selector de tensión está situado en la parte inferior del reproductor (sólo para los modelos equipados con VOLTAGE SELECTOR (Selector de tensión) en la parte inferior).
- El reproductor no estará desconectado de la fuente de alimentación de CA (corriente eléctrica) mientras esté conectado a la toma mural, incluso si ha apagado el reproductor.
- Para el funcionamiento con pilas, utilice seis pilas R20 (tamaño D).
- Si no va a utilizar las pilas, extráigalas para evitar los daños que podría causar el derrame del electrolito o la corrosión de las mismas.
- La placa de identificación que indica la tensión de funcionamiento, el consumo de alimentación, etc. está situada en la parte inferior.

Ubicación

- No deje el reproductor en un lugar cercano a fuentes térmicas ni expuesto a la luz solar directa, al polvo excesivo o a golpes mecánicos.
- No coloque el reproductor en un lugar inclinado o inestable.
- No coloque nada a una distancia inferior a 10 mm. de los lados del aparato. Procure no obstruir los orificios de ventilación para lograr el funcionamiento apropiado y prolongar la duración de sus componentes.
- Si deja el reproductor en el automóvil aparcado al sol, elija un lugar dentro del automóvil donde la unidad no esté expuesta a la luz solar directa.
- Ya que los altavoces están provistos de imanes potentes, mantenga alejados del reproductor tarjetas personales de crédito con codificación magnética y relojes de cuerda para prevenir posibles daños producidos por los imanes.

continuación

Precauciones (continuación)

Funcionamiento

- Si desplaza el reproductor directamente de un lugar frío a otro cálido, o si lo coloca en una sala muy húmeda, puede condensarse humedad en las lentes del interior de la sección del reproductor de discos compactos. Si esto ocurre, el reproductor no funcionará adecuadamente. En este caso, extraiga el disco compacto y espere durante una hora aproximadamente hasta que se evapore la humedad.
- Si no ha utilizado el reproductor durante mucho tiempo, déjelo durante unos minutos en el modo de reproducción para que se caliente antes de insertar un cassette.

Si desea realizar alguna consulta o solucionar algún problema referente al reproductor, póngase en contacto con el proveedor Sony más próximo.

Notas sobre discos compactos

- Antes de la reproducción, limpie el disco compacto con un paño de limpieza desde el centro hacia los bordes.



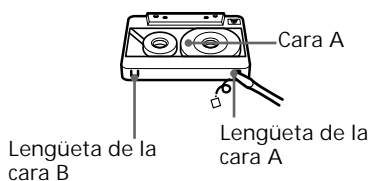
- No utilice disolventes como bencina, diluyentes, limpiadores disponibles en establecimientos comerciales o aerosoles antiestáticos para discos analógicos de vinilo.

- No exponga el disco compacto a la luz solar directa ni a fuentes térmicas como conductos de aire caliente; tampoco lo deje en un automóvil aparcado al sol, ya que puede producirse un considerable aumento de temperatura en el interior del automóvil.
- No adhiera papeles ni adhesivos en el disco compacto, ni arañe su superficie.
- Tras la reproducción, guarde el disco compacto en su estuche.

Si el disco está rayado, sucio o tiene impresas huellas dactilares, pueden producirse errores de reproducción.

Notas sobre cassettes

- Rompa la lengüeta del cassette de la cara A o B para evitar grabaciones accidentales. Si desea volver a utilizar la cinta para realizar grabaciones, cubra el orificio de la lengüeta rota con cinta adhesiva.



- No se recomienda el uso de cassettes de tiempo de reproducción superior a 90 minutos, excepto para grabación o reproducción continua y de larga duración.

Solución de problemas

	Síntoma	Solución
General	La alimentación no se activa.	<ul style="list-style-type: none">• Conecte el cable de alimentación de CA con firmeza.• Asegúrese de que ha insertado las pilas correctamente.• Sustituya todas las pilas por otras nuevas si están agotadas.
	Ausencia de sonido.	<ul style="list-style-type: none">• Compruebe que el selector FUNCTION está ajustado en la función que desea emplear.• Ajuste el volumen.• Desenchufe los auriculares cuando escuche a través de los altavoces.
Radio	El sonido es demasiado bajo o presenta mala calidad.	<ul style="list-style-type: none">• Sustituya todas las pilas por otras nuevas si están agotándose.• Aleje el reproductor del televisor.
	La imagen de su televisor no es estable.	<ul style="list-style-type: none">• Si escucha un programa en FM cerca del televisor con una antena interior, aleje el reproductor del televisor.
Reproductor de discos compactos	El disco compacto no se reproduce/La indicación "00 -- --" se ilumina en el visualizador, incluso con el disco compacto insertado.	<ul style="list-style-type: none">• Compruebe que el compartimiento de discos está cerrado.• Coloque el disco compacto con la superficie de la etiqueta hacia arriba.• Limpie el disco compacto.• Extraiga el disco compacto y deje abierto el compartimiento de discos durante una hora aproximadamente para que se evapore la humedad.• Compruebe que el selector FUNCTION está ajustado en CD.
	Pérdida de sonido.	<ul style="list-style-type: none">• Reduzca el volumen.• Limpie el disco compacto o sustitúyalo si está gravemente dañado.• Sitúe el reproductor en un lugar sin vibraciones.

continuación

Solución de problemas (continuación)

Sintoma	Solución
La cinta permanece inmóvil cuando presiona una tecla de funcionamiento.	<ul style="list-style-type: none">• Cierre el compartimiento del cassette con firmeza.
La tecla REC ● no funciona/La cinta no se reproduce.	<ul style="list-style-type: none">• Asegúrese de que el cassette está provisto de lengüeta de seguridad.• Compruebe que el selector FUNCTION está ajustado en CD, AM o FM.
La cinta no se borra por completo.	<ul style="list-style-type: none">• Limpie las cabezas borradoras (consulte la página 23).• Sustituya todas las pilas por otras nuevas si están agotándose.
La cinta no puede grabarse.	<ul style="list-style-type: none">• Asegúrese de que ha insertado la cinta correctamente.• Asegúrese de que el cassette está provisto de lengüeta de seguridad.
El sonido es débil o de mala calidad.	<ul style="list-style-type: none">• Limpie las cabezas, el rodillo de apriete y el cabrestante (consulte la página 23).• Desmagnetice las cabezas con un desmagnetizador (consulte la página 23).
El sonido se distorsiona.	<ul style="list-style-type: none">• Está utilizando una cinta TYPE II (alta posición) o TYPE IV (metal). Emplee sólo cintas TYPE I (normal).

Si los problemas persisten después de haber realizado las soluciones sugeridas, desenchufe el cable de alimentación de CA y extraiga todas las pilas. Una vez que desaparezcan todas las indicaciones del visualizador, enchufe el cable de alimentación y vuelva a insertar las pilas. Si el problema persiste, póngase en contacto con el proveedor Sony más próximo.

Mantenimiento

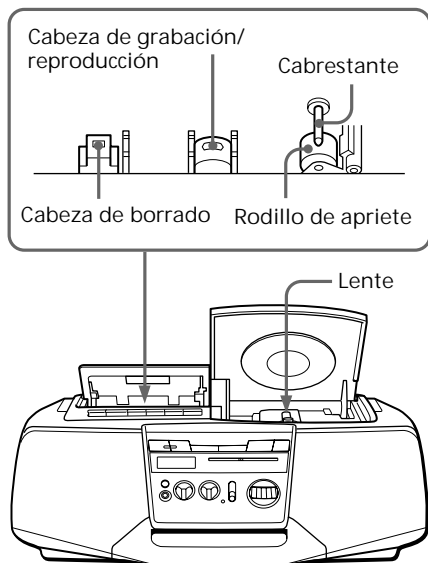
Limpeza de la lente

Si la lente se ensucia puede producir saltos en el sonido durante el funcionamiento del reproductor de discos compactos.

Limpiela con un soplador disponible comercialmente.

Limpeza de las cabezas y del paso de cinta

Limpie las cabezas, el rodillo de apriete y el cabrestante con un bastoncillo ligeramente humedecido en una solución limpiadora o en alcohol cada 10 horas de uso para obtener una óptima calidad de reproducción y grabación. No obstante, para obtener la máxima calidad de grabación, se recomienda limpiar todas las superficies del recorrido de la cinta antes de cada grabación.



Una vez realizada la limpieza, inserte una cinta cuando las zonas limpiadas estén completamente secas.

Desmagnetización de las cabezas de cinta

Tras 20 a 30 horas de uso, se concentra la suficiente cantidad de magnetismo residual en las cabezas de cinta para empezar a causar pérdida de sonido de alta frecuencia y siseo. Llegado este momento, deben desmagnetizarse las cabezas y todos los componentes de metal del recorrido de la cinta con un desmagnetizador de cabezas que podrá adquirir en un establecimiento comercial.

Limpeza del exterior

Limpie la caja, el panel y los controles con un paño suave ligeramente humedecido en una solución detergente poco concentrada. No utilice estropajos, detergentes abrasivos ni disolventes como alcohol o bencina.

Especificaciones

Sección del reproductor de discos compactos

Sistema

Sistema audiodigital de discos compactos

Propiedades del diodo láser

Material: GaAlAs

Longitud de onda: 780 nm

Duración de emisión: Continua

Salida de láser: Menos de 44,6 μ W

(Esta salida corresponde al valor medido a una distancia de 200 mm aproximadamente de la superficie de la lente del objetivo del bloque fonocaptor óptico con 7 mm de apertura.)

Velocidad del eje

200 rev./min. (rpm) a 500 rev./min. (rpm) (CLV)

Número de canales

2

Respuesta de frecuencia

20 - 20.000 Hz +1/-2 dB

Fluctuación y trémolo

Por debajo del límite mesurable

Sección de la radio

Intervalo de frecuencias

Europa, Italia y Corea

FM	Europa y Corea	87,6 - 107 MHz
	Italia	87,5 - 108 MHz
	Europa central y del Este	
		65 - 108 MHz

AM	Europa y Corea	531 - 1.602 kHz
	Italia	526,5 - 1.606,5 kHz

Arabia Saudita y otros países

FM	Arabia Saudita	87,6 - 107 MHz
	Modelo turista	76 - 108 MHz
	Otros modelos	87,6 - 108 MHz o 87,6 - 107 MHz

AM	Modelo turista	530 - 1.629 kHz
	Otros modelos	530 - 1.605 kHz o 531 - 1.602 kHz

IF

FM: 10,7 MHz

AM: 455 kHz

Antenas

FM: Antena telescópica

AM: Antena de ferrita incorporada

Sección del reproductor de cassettes

Sistema de grabación

4 pistas, 2 canales estéreo

Tiempo de bobinado rápido

120 s (seg.) aprox. con cassettes Sony C-60

Respuesta de frecuencia

TYPE I (normal): 70 - 10.000 Hz

General

Altavoz

Gama completa : 10 cm. de diám., 3,2 ohmios, tipo cónico (2)

Salidas

Toma de auriculares (minitoma estéreo)

Para auriculares de 16 - 68 ohmios de impedancia

Salida máxima de potencia (excluido modelo coreano)

2,3 W + 2,3 W

Salida de potencia (modelo coreano)

1,6 W + 1,6 W (a 3,2 ohmios, 10 % de distorsión armónica, funcionamiento con CA)

Requisitos de alimentación

Para radiocassette con CD:

Europa

230 V CA, 50 Hz

Corea

220 V CA, 60 Hz

Otros países

110 - 120 V, 220 - 240 V CA seleccionable a 50/60 Hz o 230 V CA, 50 Hz

9 V CC, 6 pilas R20 (tamaño D)

Consumo

Modelo coreano: 15 W CA

Otros modelos: 20 W CA

Duración de las pilas

Para radiocassette con CD:

Grabación de FM

R20P Sony: 13,5 h. aprox.

Alcalinas LR20 Sony: 20 h. aprox.

Reproducción de cintas

R20P Sony: 7,5 h. aprox.

Alcalinas LR20 Sony: 15 h. aprox.

Reproducción de discos compactos

R20P Sony: 2,5 h. aprox.

Alcalinas LR20 Sony: 7 h. aprox.

Dimensiones

Aprox. 425 x 160 x 246 mm. (an/al/f)

(incluidas partes salientes)

Peso

Aprox. 4,0 kg. (incluidas pilas)

Accesorios suministrados

Cable de alimentación de CA (1)

El diseño y las especificaciones están sujetos a cambio sin previo aviso.

Accesorios opcionales

Auriculares de la serie MDR Sony

Índice alfabético

A, B

Ajuste

énfasis de sonido 18

tono 18

C

Creación de su propio programa 16

D

Desmagnetización de las cabezas de cinta 23

E

Énfasis de sonido 18

Escucha de la radio 6

F

Fuentes de alimentación 17

G, H

Grabación en una cinta 10

I, J, K

Instalación 17

L

Limpieza

cabezas y paso de cinta 23

exterior 23

Localización de un punto

específico de una canción 13

M, N, O

MEGA BASS 18

Mejora de la recepción de emisoras 7

P, Q

Pilas

para reproductor 17

R

Reproducción

de cintas 8

de discos compactos 4

repetida de canciones 14

Reproducción de programa 16

Reproducción repetida 14

Reproductor de discos compactos 12

S

Selección de canciones 5

Selección de fuentes de alimentación 17

Selector de tensión 17

Solución de problemas 21

T

TONE 18

U

Uso del visualizador 12

V, W, X, Y, Z

Visualizador 12

