

SONY®

Remote Commander RM-V302T

3-264-084-11(1)

Operating Instructions Mode d'emploi (au verso)

© 2004 Sony Corporation Printed in China



English

Setting Up the Remote Commander

About Presetting the Commander

The Commander is preset at the factory to operate Sony brand components.
If you are using the Commander with a Sony component, you will not need to preset the Commander before you start using it.
To set up the Commander to use with other (non-Sony) manufacturers' components, or to use with a component that is not preset at the factory, you will need to follow the instructions in this manual to preset the Commander with the correct code number for your component(s). (See the supplied "Component Code Numbers" table also.)

Component that can be preset	Button	Factory setting
TV	TV	Sony TV
VCR/Satellite tuner/Amplifier (or receiver)/CD/Tape deck/MD deck/DAT deck/DVD/TV	VCR	Sony VHS VCR (VTR3)
	SAT	Sony satellite tuner
	DVD	Sony DVD player
	AMP	Sony amplifier

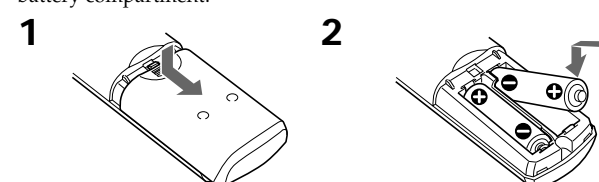
Notes

- The Commander can be set up to operate only one component per button – unless their code numbers happen to be the same. For example, you cannot set up the Commander to operate a Sony TV and a Panasonic TV simultaneously (because they use different code numbers).
- You may not be able to operate even a Sony brand component with the factory presetting. In such a case, follow the procedure in "Setting the Code."

Installing the Batteries

Before replacing the batteries, have new ones ready beforehand.

Slide open the battery compartment and insert two size AA (R6) batteries (not supplied).
Be sure to line up the + and - on the batteries with the + and - on the battery compartment.



When to replace the batteries

Under normal conditions, batteries will last up to six months. If the Commander does not operate properly, the batteries might be worn out. Replace the batteries with new ones.

Notes

- Replace both batteries with new ones.
- Do not take more than 3 minutes to replace the batteries; otherwise, your code number settings will be erased.

Step 2: Checking if the Code Number Works

- Turn on the component you want to set up.
- Aim the Remote Commander at the component and press a button to check if that button works.
For example, press the ⏪ button to see if it works on your component.
- Check that the other buttons of the Commander are operating the corresponding functions of the component.

You can write down the code number on the label inside the battery compartment lid.

If the Commander Does not Seem to be Working...

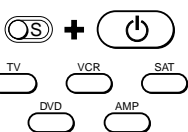
- First, try repeating these setup procedures using the other codes listed for your component (see the supplied "Component Code Numbers" table).
- If after trying all the codes listed for your component you still cannot get the Commander to work properly, try the search method described in "Searching for the Correct Code."

Setting the Code

Follow steps 1 and 2 below for each component you plan to use with the Commander.

Step 1: Entering the Code Number

- See the supplied "Component Code Numbers" table, and find the three-digit code number for the desired component.
If more than one code number is listed, use the number that is listed first to complete the steps below.
For example, if you are setting up a Philips TV, you would use the code number 086.
If your component is not listed, see "Searching for the Correct Code."



- While pressing the S (SET) button, press the ⏪ button.
- Press the button of the component that you want to set up.

- Repeat step 3 until the correct code number is found.
Each time you press the PROG+ button and then the ⏪ button, a new code number will be transmitted.
Keep trying until your component operates as follows:
 - TV, AMP: power-off
 - CD, MD, TAPE, DAT: power-off or playback
 - Other components: power-on
 - TV without a power switch: the Channel + function works.Be patient as you do this; it could take as many as 120 tries before the correct code number is located.



- When the correct code is found, press the ⏪ button to store the code number in the Commander's memory.
 - Check that the Commander is operating the other functions of your component by pressing the corresponding buttons on the Commander. If they seem to be working properly, you are done setting up the Commander.
- If the component does not operate properly, repeat steps 1 to 5 and search for another code.
- If you still cannot get the Commander to work properly, see "Troubleshooting."

If you press a wrong button in step 4

Press the ⏪ button while pressing the S (SET) button and then go back to step 2.

Changing the Component Type on the VCR, SAT, AMP, and DVD buttons

At the factory, "VCR" is assigned to the VCR button, "satellite tuner" to the SAT button, "amplifier" to the AMP button and "DVD player" to the DVD button. By completing the following procedure, you can change this setting so that you can assign any component to these buttons.

- While pressing the S (SET) button, press the ⏪ button.
- Press the VCR, SAT, AMP, or DVD button.
- Press and release the ■ (stop) button.
- Press and release one of the following buttons:
 - ① to assign a VCR
 - ② to assign a satellite tuner
 - ④ to assign an amplifier
 - ⑥ to assign a CD
 - ⑥ to assign a tape deck
 - ⑦ to assign an MD deck or a DAT deck
 - ⑧ to assign a TV
 - ⑩ to assign a DVD
- Press and release the ⏪ button.
- Enter the component's code number by following steps 2 to 6 of "Entering the Code Number," or steps 1 to 6 of "Searching for the Correct Code."

Controlling the Volume of Video Components Connected to an Audio System

The Commander is factory preset based on the assumption that you hear the sound of your video components from your TV's speakers, and that you hear the sound of your audio components from the loudspeakers connected to your amplifier (or receiver).

Factory Setting:

Button	Controls the volume of
TV	TV
VCR, SAT*, DVD*	TV
AMP	Amplifier

* If you assign an audio component on the VCR, SAT or DVD button, you can control the volume of the amplifier on the AMP button. If you assign video components on these buttons, you can control the volume of the TV.

Thus you can control the volume of your TV or amplifier while operating a video or audio component without first having to press the TV or AMP button. For example, to control the volume for your VCR channels, you do not need to press the TV button first.
However, if your video components are connected to an audio system, you probably hear your TV's or VCR's sound from the loudspeakers connected to your amplifier (or receiver), not from your TV speakers. In this case, you need to change the factory setting so that you can control the volume of your video components without first having to switch to the amplifier (or receiver). To change the factory setting for the volume control, follow the procedures below.

Note

This feature is effective only when an amplifier (or receiver) is set up on the AMP button. You cannot control the volume of an amplifier (or receiver) set up on VCR, SAT or DVD button while operating the component of another button.

Changing the Factory Setting for the Volume Control

- While pressing the S (SET) button, press the ⏪ button.
- Press the AMP button.
- Press the ⏪ button.
- Press the ⏪ button.

The volume control setting is changed to "amplifier." You can control the volume of the amplifier of the AMP button while selecting any component.

Notes

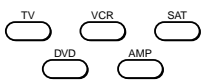
- If you are using more than one amplifier and have set it on the VCR, SAT or DVD button, when selecting these buttons you cannot control the volume of the amplifier of the AMP button.
- If you change the setting of the AMP button to a component other than a receiver or amplifier, the volume control setting of video components will return to "TV" even if you have changed the factory preset volume control. In this case, you will not be able to control the volume from audio components other than a receiver or amplifier.

To reset to factory preset volume control

In step 3 above, press ⏪ instead.

Operating a Component

- Press the button of the desired component on the Commander.
- Point the Commander directly at the component.
- Press the button for the function you want to use.



Notes on Using the Remote Commander

- Basically, use this Commander in the same way as the Commanders supplied with your components.
- Using this Commander will not increase the functions of your components. The functions of the Commander are limited to the functions of the components themselves. For example, if your TV does not have a MUTING function, the ✕ button on this Commander will not function with your TV.
- Some functions of the component may not work with this Commander.

Setting a channel with a single button (Channel Macro function)

You can program the Channel Macro function on any of the buttons listed below (macro keys).
For example, instead of pressing Ⓜ, ②, and then ENT button to change the TV channel, you can perform these operations by pressing only the ► button.

The macro keys are:

►, ◀◀, ▶▶, ■, II, and ●REC.
(During "TV" or "satellite tuner" operations only.)

The series of operations that can be programmed must consist of two or four sequential pressings of the Ⓜ to Ⓜ buttons or ENT button.

Note

The Channel Macro function may not work correctly for some components.

To program a series of operations

- Press the desired component select button.
(You can select "TV" or "satellite tuner" only.)
- While pressing the desired macro key, press the buttons required for the operations in sequence.
For example, to program ① → ② → ENT on the ► button, hold down ► first, press ①, ②, and ENT in sequence, and then release ►.

Notes

- Even if you try to program more than four operations and press the corresponding buttons in step 2 above, only the first four buttons that were pressed will be programmed.
- If you try to program only one operation on a macro key, the setting operation will be rejected.
- You can program the Channel Macro function for up to three components only. To program a fourth component, first clear all macro keys for a component.
- If you have programmed the Channel Macro function for TV or satellite tuner operation, the button used as a macro key cannot be used for Fastext buttons.

To change or clear a program

When you want to change the setting, or if you are no longer using a programmed operation, follow the procedure below to overwrite or clear the program.

- Hold down the macro key that you want to change or clear.
- After waiting for about three seconds, press the new sequence of buttons, or, to clear the program, press and release Ⓜ, and then press and release ENT.
- Release the macro key.

Note

Be sure to wait for about three seconds in step 2 above. While you are holding down the macro key and waiting, the programmed signals are transmitted; therefore, if you are aiming the Commander at your component, the programmed operations may be performed before you go on with the procedure.

Troubleshooting

If you have problems setting up or using the Commander:

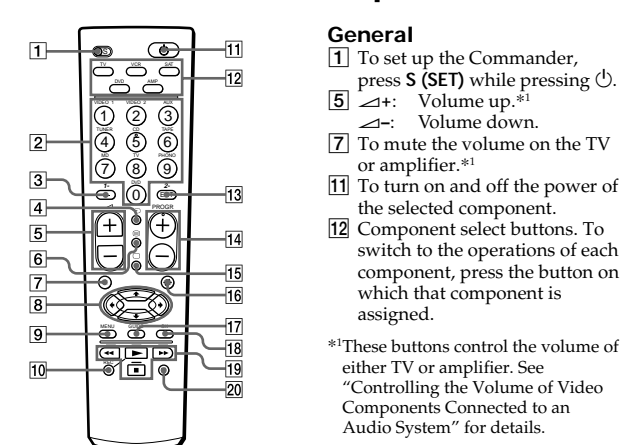
- When setting up the Commander, carefully go through the procedures described in "Setting the Code." If the code that is listed first for your component does not work, try other codes for that component in the order in which they are listed. If all the codes fail to work (or if your component is not listed in this manual), try using the procedures in "Searching for the Correct Code."
- Check that you are aiming the Commander directly at the component, and that there are no obstructions between the Commander and the component.
- Make sure the batteries you are using are not worn out, and that they are inserted correctly.
- Check that the button of the TV, VCR, SAT, AMP or DVD is pressed to choose your desired component.
- Check that the component has infrared remote capability. For example, if your component did not come with a remote commander, it is probably not capable of being controlled by a remote commander.
- If your video components are connected to an audio system, make sure you have set up the Commander as described in "Controlling the Volume of Video Components Connected to an Audio System."
- Should any problem persist, reset the Commander to the factory setting by pressing the ⏪, ⏩ and ⏪- buttons simultaneously.

Customer Service

If you have any questions or problems concerning the Remote Commander that are not covered in this manual, please call the customer remote helpline. The number is mentioned in the warranty card.



Remote Button Descriptions



General

- To set up the Commander, press S (SET) while pressing ⏪.
- ⏪+: Volume up.*¹
- ⏪ -: Volume down.
- To mute the volume on the TV or amplifier.*¹
- To turn on and off the power of the selected component.
- Component select buttons. To switch to the operations of each component, press the button on which that component is assigned.

*¹These buttons control the volume of either TV or amplifier. See "Controlling the Volume of Video Components Connected to an Audio System" for details.

† The number 5 button and the PROG+ button each have a tactile dot for ease of use.

Operating a TV

- To change the programme. Also to turn on the power.
- To select double-digit numbers. Works in the same way as your TV's commander.
- To switch to Teletext.
- To move the cursor upward, downward, to the right or left.
- To call up the MENU display.
- To select a number between 20 and 29.
- PROG+: Programme up.
- PROG-: Programme down.
- To turn on.
To return from Teletext to TV.
- To operate JUMP, FLASHBACK, or CHANNEL on the TV, depending on the manufacturer's setting.
- To enter the selection.
- Fastext buttons.

Operating a VCR

- To change the programme.
- To select double-digit numbers. Works in the same way as your VCR's commander.
- To switch the signals supplied to the TV.
- To expose the on-screen display.
- To move the cursor upward, downward, to the left, or to the right.
- To call up the MENU display.
- 10, 19 and 20:
 - ▶: To play.
 - : To stop.
 - ◀◀: To rewind.
 - ▶▶: To fast-forward.
 - REC: To record, press ► while pressing ●REC.
 - II: To pause.
- To select a number between 20 and 29.
- PROG+: Programme up.
- PROG-: Programme down.
- To change the input mode.
- To enter the selection.

Operating a satellite tuner

- To change the programme.
- To select double-digit numbers. Work in the same way as your satellite tuner's commander.
- To change the input mode (H/V).
- To move the cursor upward, downward, to the right or left.
- To call up the MENU display.
- To select a number between 20 and 29.
- PROG+: Programme up.
- PROG-: Programme down.
- To operate JUMP, FLASHBACK or CHANNEL RETURN function on the satellite tuner, depending on the manufacturer's setting.
- To bring up the Master Guide.
- To enter the selection.
- Fastext buttons.

Operating a DVD

- Number buttons: To set items selected from the screen.
- To select numbers 10 and above.
- To change the sound.
- To show the current play status on the screen.
- To move the cursor upward, downward, to the left, or to the right.
- To display the DVD menu.
- To record, press ► while pressing ●REC. First release ►, then release ●REC.
- To enter the setting. To set items selected from the screen.
- PROG+: To proceed to the next location or song.
Programme up.
- PROG-: To proceed to the previous location or song.
Programme down.
- To switch the subtitle.
- To display the title menu.
- To clear the selected characters from the screen.
- To execute items selected from the screen.
- To play.
To rewind.
- To fast-forward.
- To stop.
- To pause.

Operating an amplifier (or receiver)

- To select the input source:
 - ① selects VIDEO 1
 - ② selects VIDEO 2
 - ③ selects TUNER
 - ④ selects AUX
 - ⑤ selects CD
 - ⑥ selects TAPE
 - ⑦ selects MD
 - ⑧ selects TV
 - ⑨ selects PHONO
 - ⑩ selects DVD
- To switch the input source by each press.
- PROG+: Presetting frequency up.
Tuning frequency up.
- PROG-: Presetting frequency down.
Tuning frequency down.
- To change bands (FM/AM).

Operating a CD

- To select the track number.
- To select numbers 10 and above.
- To switch the input source.
- To turn the display of the CD player on/off.
- To record, press ► while pressing ●REC. First release ►, then release ●REC.
- To enter a setting.
- PROG+: To select the next track.
- PROG-: To select the previous track.
- To clear a setting.
- To select the next disc.
- To select player or recorder.
 - ▶: To play.
 - ◀◀: To rewind.
 - ▶▶: To fast-forward.
 - : To stop.
 - II: To pause.

Operating an MD deck

- To select the track number.
- To select numbers 10 and above.
- To change the display mode or turn the display on/off.
- To record, press ► while pressing ●REC. First release ►, then release ●REC.
- To enter the setting.
- PROG+: To select the next track.
- PROG-: To select the previous track.
- To clear a setting.
- To select the next disc.
 - ▶: To play.
 - ◀◀: To rewind.
 - ▶▶: To fast-forward.
 - : To stop.
 - II: To pause.

Operating a DAT deck

- To select the track number.
- To select numbers 10 and above.
- To change the display mode or turn the display on/off.
- To record, press ► while pressing ●REC. First release ►, then release ●REC.
- To enter the setting.
- PROG+: To select the next track.
- PROG-: To select the previous track.
 - ▶: To play.
 - ◀◀: To rewind.
 - ▶▶: To fast-forward.
 - : To stop.
 - II: To pause.

Operating a tape deck

- 10, 19 and 20
 - ▶: To play.
 - : To stop.
 - ◀◀: To rewind.
 - ▶▶: To fast-forward.
 - REC: To record, press ► while pressing ●REC. First release ►, then release ●REC.
 - : To stop.
 - II: To pause.
- 9, 13 and 18
 - ▶: To play.
 - : To stop.
 - ◀◀: To rewind.
 - ▶▶: To fast-forward.
 - REC: To record, press ► while pressing MENU. First release ►, and then release MENU.
 - OK: To pause.
- To select Deck A or Deck B (dual cassette deck only).
If your tape deck's commander has one set of tape operating buttons, and has an A/B button for the deck selection, use the Ⓜ button to select Deck A or Deck B.

Specifications

Operable distance	Approx. 7 m (23 ft) (varies depending of the component of each manufacturer)
Power requirements	Two size AA (R6) batteries (not supplied)
Battery life	Approx. 6 months (varies depending on frequency of use)
Dimensions	Approx. 55 × 200 × 32 mm (w/h/d) (2 1/8 × 7 7/8 × 1 5/16 in.)
Mass	Approx. 95 g (3.4 oz.) (not including batteries)

Design and specifications are subject to change without notice.

The validity of the CE marking is restricted to only those countries where it is legally enforced, mainly in the countries EEA (European Economic Area).

