

Radio Cassette Player

Operating Instructions/使用說明書



©2003 Sony Corporation Printed in Malaysia

http://www.sony.net/

"WALKMAN" is a registered trademark of Sony Corporation to represent Headphone Stereo products.

WALKMAN is a trademark of Sony Corporation.

The validity of the CE marking is restricted to only those countries where it is legally enforced, mainly in the countries EEA (European Economic Area). CE 標誌的有效性，僅限於那些有法律限制的國家，主要在 EEA (歐洲經濟區) 國家。

WARNING

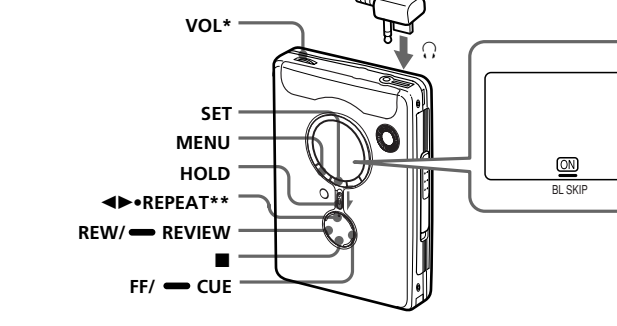
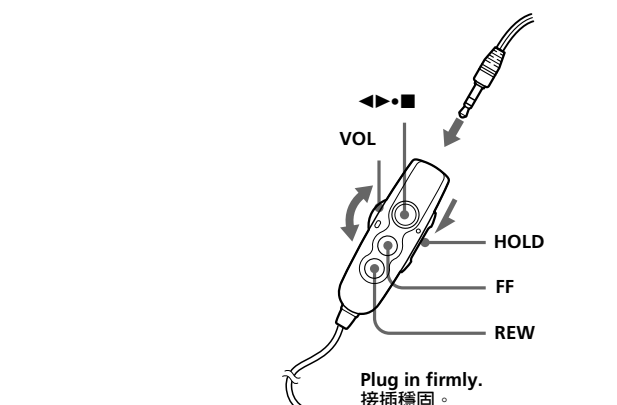
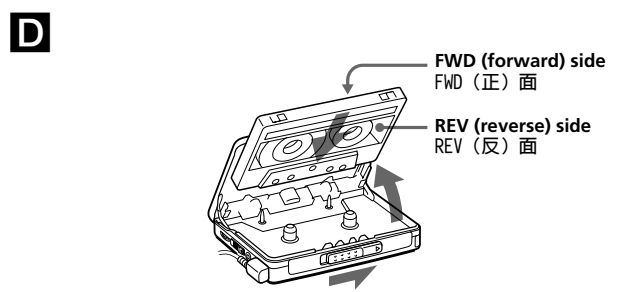
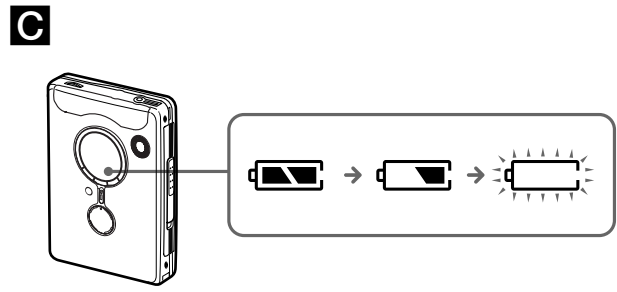
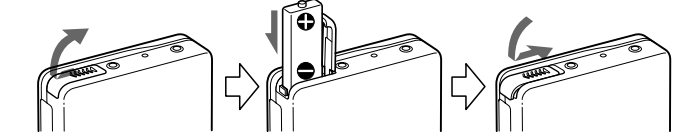
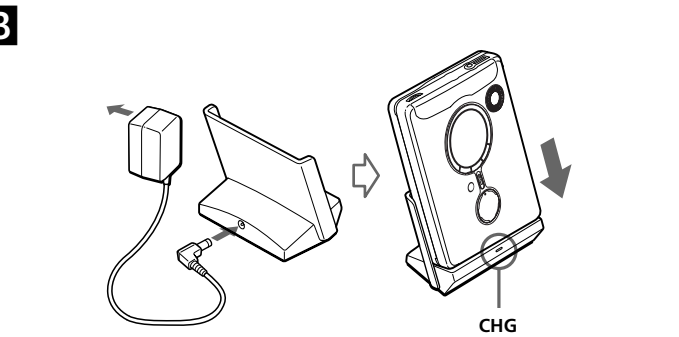
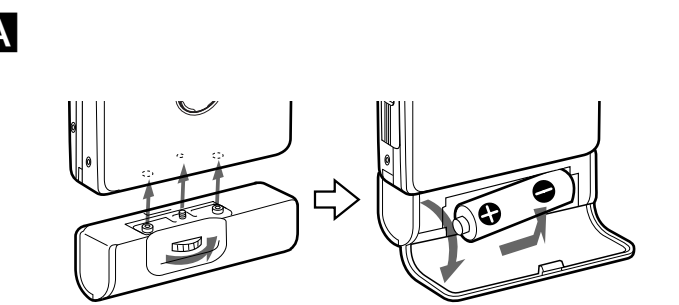
To prevent fire or shock hazard, do not expose the unit to rain or moisture.

Do not install the appliance in a confined space, such as a bookcase or built-in cabinet.

警告

為防火災或觸電危險，切勿讓機器暴露於雨中或潮濕處。

別把機器安裝在例如書櫥或壁櫃等密不通風的地方。



- * There is a tactile dot beside VOL on the main unit to show the direction to turn up the volume.
- ** The button has a tactile dot.
- 在主機上 VOL 旁邊有一個觸感圓點，表示轉大音量的方向。
- ** 按鈕帶有突起圓點。

- English**
- To prevent fire, do not cover the ventilation of the apparatus with newspapers, table-cloths, curtains, etc. And don't place lighted candles on the apparatus.
 - To prevent fire or shock hazard, do not place objects filled with liquids, such as vases, on the apparatus.
 - Certain countries may regulate disposal of the battery used to power this product. Please consult with your local authority.

Preparations

Prepare a dry battery (not supplied) or the rechargeable battery (supplied).

Dry Battery [A]

Attach the supplied battery case, and then insert one R6 (size AA) battery with correct polarity.

Note
For maximum performance we recommend that you use a Sony alkaline battery.

Rechargeable Battery [B]

Charge the rechargeable battery before using it for the first time.

- 1 Insert the supplied rechargeable battery NH-10WM into the rechargeable battery compartment with correct polarity.
- 2 Connect the supplied AC power adaptor to the charging stand, plug in the AC power adaptor to the house current (mains). If the plug does not fit to your mains, attach the supplied AC plug adaptor (Saudi Arabian model only).
- 3 Place the main unit on the charging stand. The CHG lamp will light up during charging. Full charging takes about 6 hours regardless of the battery power remaining. The CHG lamp will go off when the battery is fully charged.

- Notes**
- This charging stand charges the rechargeable battery based on a timer. If you remove the unit from the charging stand while it is charging, the timer will be reset and full charging will take about 6 hours when you place the unit on the charging stand again.
 - You can use the unit before the CHG lamp goes off, but in that case, battery life will be shorter depending on the charging time.

- Do not use the unit while it is charging. Remove the unit from the charging stand when using it.
 - If you operate the unit while it is charging, the battery will not be charged.
 - If you operate the unit while it is charging, this may cause a malfunction.
- Do not place the unit on the charging stand without the rechargeable battery. Otherwise, this may cause a malfunction.

When to replace/charge the battery [C]

Replace or charge the battery when " " flashes in the display.

Battery life* (Approx. hours)	
Sony alkaline LR6 (SG)**	
Tape playback	50
Radio reception	56

Rechargeable battery NH-10WM	
Tape playback	22
Radio reception	25

Sony alkaline LR6 (SG)** and Rechargeable NH-10WM	
Tape playback	72
Radio reception	81

- * Measured value by the standard of JEITA (Japan Electronics and Information Technology Industries Association). (Using a Sony HF series cassette tape)
- ** When using a Sony LR6 (SG) alkaline dry battery (produced in Japan).
- Notes**
- The battery life may be shorter depending on the operating condition, the surrounding temperature and battery type.
 - The AVLS setting (see "Using the Menu") will be cancelled when you replace the battery.

Playing a Tape [D]

- 1 Insert a cassette and if the HOLD function is on, slide the HOLD switch in the opposite direction of the arrow to unlock the controls.
- 2 Press ◀▶•REPEAT on the main unit and adjust the volume with VOL. (On the remote control, press ▶▶(play)•■(stop).)

When adjusting the volume on the remote control
Set the VOL control on the main unit to around 6.

When adjusting the volume on the main unit
Set the VOL control on the remote control at maximum.

Operation on the remote control

To	Press
Switch playback to the other side	◀▶•REPEAT during playback
Stop playback	■(stop)
Repeat the current track (Repeat Single Track function)	◀▶•REPEAT for 2 seconds or more during playback <i>To stop a single repeat, press ▶▶•REPEAT once.</i>
Fast forward*	FF during stop
Rewind*	REW during stop
Search forward during playback (CUE)	Press and hold FF and release it at the point you want
Search backward during playback (REVIEW)	Press and hold REW and release it at the point you want
Play the next track/succeeding 9 tracks from the beginning (AMS**)	FF once/repeatedly during playback
Play the current track/previous 8 tracks from the beginning (AMS**)	REW once/repeatedly during playback
Play the other side from the beginning (Skip Reserve function)	FF for 2 seconds or more during stop
Play the same side from the beginning (Rewind Auto Play function)	REW for 2 seconds or more during stop

Operation on the main unit

To	Press
Switch playback to the other side	◀▶•REPEAT during playback
Stop playback	■(stop)
Repeat the current track (Repeat Single Track function)	◀▶•REPEAT for 2 seconds or more during playback <i>To stop a single repeat, press ▶▶•REPEAT once.</i>
Fast forward*	FF/CUE during stop
Rewind*	REW/REVIEW during stop
Search forward during playback (CUE)	Press and hold FF/CUE and release it at the point you want
Search backward during playback (REVIEW)	Press and hold REW/REVIEW and release it at the point you want
Play the next track/succeeding 9 tracks from the beginning (AMS**)	FF/CUE once or repeatedly during playback
Play the current track/previous 8 tracks from the beginning (AMS**)	REW/REVIEW once or repeatedly during playback
Play the other side from the beginning (Skip Reverse function)	FF/CUE for 2 seconds or more during stop
Play the same side from the beginning (Rewind Auto Play function)	REW/REVIEW for 2 seconds or more during stop

* Press ▶▶•REPEAT (on the remote control, press ▶▶•■) during fast forward or rewind to start playback.

**Automatic Music Sensor

To skip a long blank space (BL SKIP* function)

- 1 Press MENU repeatedly to set " " (the cursor) in the display to BL SKIP.
- 2 Press SET to show " ".

* When the BL SKIP function is on, the tape is fast-forwarded to the next track if there is a blank space longer than 12 seconds.

(turn over)

- 中文**
- 為防止火災，請勿讓報紙、桌布、窗簾等蓋住裝置的通風孔。也不可把點燃的蠟燭放在裝置上。
 - 為防止火災或觸電的危險，請勿將裝滿液體的物體，例如花瓶等放在裝置上。
 - 一部份國家對本產品的電源用電池的處置，可能有所規定。此請詢問當地有關當局。

準備工作

準備乾電池（無附帶）或充電式電池（附帶）。

乾電池 [A]

安裝附帶的電池盒，然後按正確極性裝入一節 R6 (AA) 電池。

註
為獲得最佳效果，建議您使用 Sony 牌鹼性電池。

充電式電池 [B]

充電式電池在第一次使用前，必須加以充電。

- 1 以正確極性將附帶的充電式電池 NH-10WM 裝入充電式電池盒。
- 2 將附帶的 AC 電源轉接器連接到充電座，將 AC 電源轉接器插到家庭用電源插座（主電源）。如果插頭與所用主電源插座不匹配，請裝上附帶的 AC 電源插頭轉接器（僅限於沙特阿拉伯型號）。
- 3 將主機放在充電座上。CHG 燈將在充電時點亮。無論原有電力多少，完全充電需時大約 6 小時。當電池完全充滿電時，CHG 燈將熄滅。

- 註**
- 充電座以計時方式為充電式電池進行充電。如果您在充電時將機器由充電座上卸下，計時器可能會重新計時；當您將機器重新放回充電座後，將需要約 6 小時才能完全充電。
 - 在 CHG 燈熄滅前，您可以使用機器，但是在此情況下，電池壽命將會變短，視充電時間而定。
 - 充電中，請別使用機器。要使用機器時，須把機器從充電座上卸下。

- 充電中，如果您操作機身，電池便不能進行充電了。
 - 充電中，如果您操作機器，便可能引起故障。
- 別把沒有安裝充電式電池的機器裝放在充電座上。否則便可能引起故障。

何時更換電池／給電池充電 [C]

" " 在顯示窗中閃爍時，即請更換電池或給電池充電。

電池壽命* (大約時數)	
Sony 鹼電池 LR6 (SG)**	
錄音帶收音機	50
聽收音機	56

充電式電池 NH-10WM	
錄音帶收音機	22
聽收音機	25

同時使用 Sony 鹼電池 LR6 (SG)** 和充電式電池 NH-10WM	
錄音帶收音機	72
聽收音機	81

- * 按 JEITA (Japan Electronics and Information Technology Industries Association) 標準測定的值。(使用 Sony HF 系列磁帶)
- ** 使用 LR6(SG) 型 Sony 鹼電池 (日本製) 時。

在主機上的操作

要	請按
換播放另一面	播放中按 ▶▶•■
停止播放	播放中按一次 ▶▶•■
從頭播放當前曲子 (重複單一曲子功能)	在播放中按兩次 ▶▶•■ 要停止重複單一曲子，請按 ▶▶•■ 一次。
快進繞*	停止中按 FF
重繞*	停止中按 REW
在播放中向前搜尋 (CUE)	按住 FF 然後在想要的位置鬆開
在播放中向後搜尋 (REVIEW)	按住 REW 然後在想要的位置鬆開
從頭播放下一曲子/接下9首曲子 (AMS**)	播放中按一次或重複按 FF
從頭播放當前曲子/前8首曲子 (AMS**)	播放中按一次或重複按 REW
從頭播放另一面 (跳躍倒繞功能)	停止中按 FF 並保面 (跳躍倒繞 2 秒以上或更久)
從頭播放同一面 (重繞自動播放功能)	停止中按 REW 並保持 2 秒以上或更久

播放錄音帶 [D]

- 1 裝入卡帶，如果遙控器的 HOLD 功能仍打開著，即請沿相反於箭頭方向滑動 HOLD 開關以釋放控制鈕。
- 2 按主機上的 ▶▶•REPEAT 並用 VOL 調節音量。(在遙控器上，則請按 ▶▶(收音)•■(停止)。

在遙控器上調節音量時
請把主機上的 VOL 控制鈕設定於 6 左右。

在主機上調節音量時
請把遙控器上的 VOL 控制鈕設定於最大。

在遙控器上的操作

要	請按
換播放另一面	播放中按 ▶▶•■ 2 秒以上
停止播放	播放中按一次 ▶▶•■
從頭播放當前曲子 (重複單一曲子功能)	在播放中按兩次 ▶▶•■ 要停止重複單一曲子，請按 ▶▶•■ 一次。
快進繞*	停止中按 FF
重繞*	停止中按 REW
在播放中向前搜尋 (CUE)	按住 FF 然後在想要的位置鬆開
在播放中向後搜尋 (REVIEW)	按住 REW 然後在想要的位置鬆開
從頭播放下一曲子/接下9首曲子 (AMS**)	播放中按一次或重複按 FF
從頭播放當前曲子/前8首曲子 (AMS**)	播放中按一次或重複按 REW
從頭播放另一面 (跳躍倒繞功能)	停止中按 FF 並保面 (跳躍倒繞 2 秒以上或更久)
從頭播放同一面 (重繞自動播放功能)	停止中按 REW 並保持 2 秒以上或更久

在主機上的操作

要	請按
換播放另一面	播放中按 ▶▶•REPEAT
停止播放	按 ■(停止)
從頭播放當前曲子 (重複單一曲子功能)	在播放中按 ▶▶•REPEAT 保持 2 秒以後或更久 要停止重複單一曲子，請按 ▶▶•REPEAT 一次。
快進繞*	停止中按 FF/CUE
重繞*	停止中按 REW/REVIEW
在播放中向前搜尋 (CUE)	按住 FF/CUE 然後在想要的位置鬆開
在播放中向後搜尋 (REVIEW)	按住 REW/REVIEW 然後在想要的位置鬆開
從頭播放下一曲子/接下9首曲子 (AMS**)	播放中按一次或重複按 FF/CUE
從頭播放當前曲子/前8首曲子 (AMS**)	播放中按一次或重複按 REW/REVIEW
從頭播放另一面 (跳躍倒繞功能)	停止中按 FF/CUE 並保持 2 秒以上或更久
從頭播放同一面 (重繞自動播放功能)	停止中按 REW/REVIEW 並保持 2 秒以上或更久

* 在快進繞或重繞時按 ▶▶•REPEAT (在遙控器上，按 ▶▶•■) 以開始播放。

**自動樂曲探測

跳過長時間的空白 (BL SKIP* 功能)

- 1 重複按下 MENU 將顯示窗中的 " " (游標) 設定為 BL SKIP。
- 2 按下 SET 顯示 " "。

* 當 BL SKIP 功能開啓時，如果有超過 12 秒的空白，錄音帶會快速轉到下一首曲子。

(接反面)

