

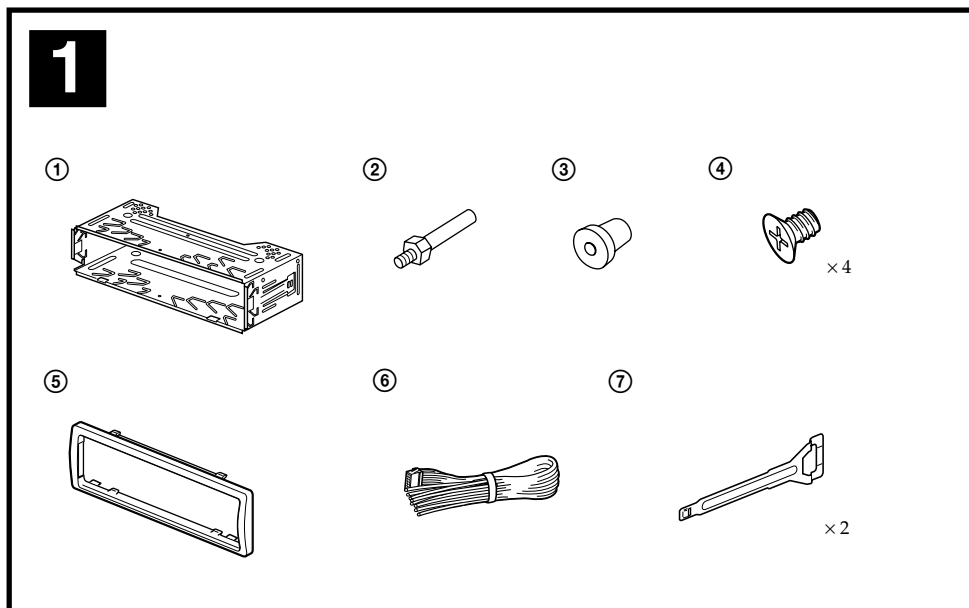
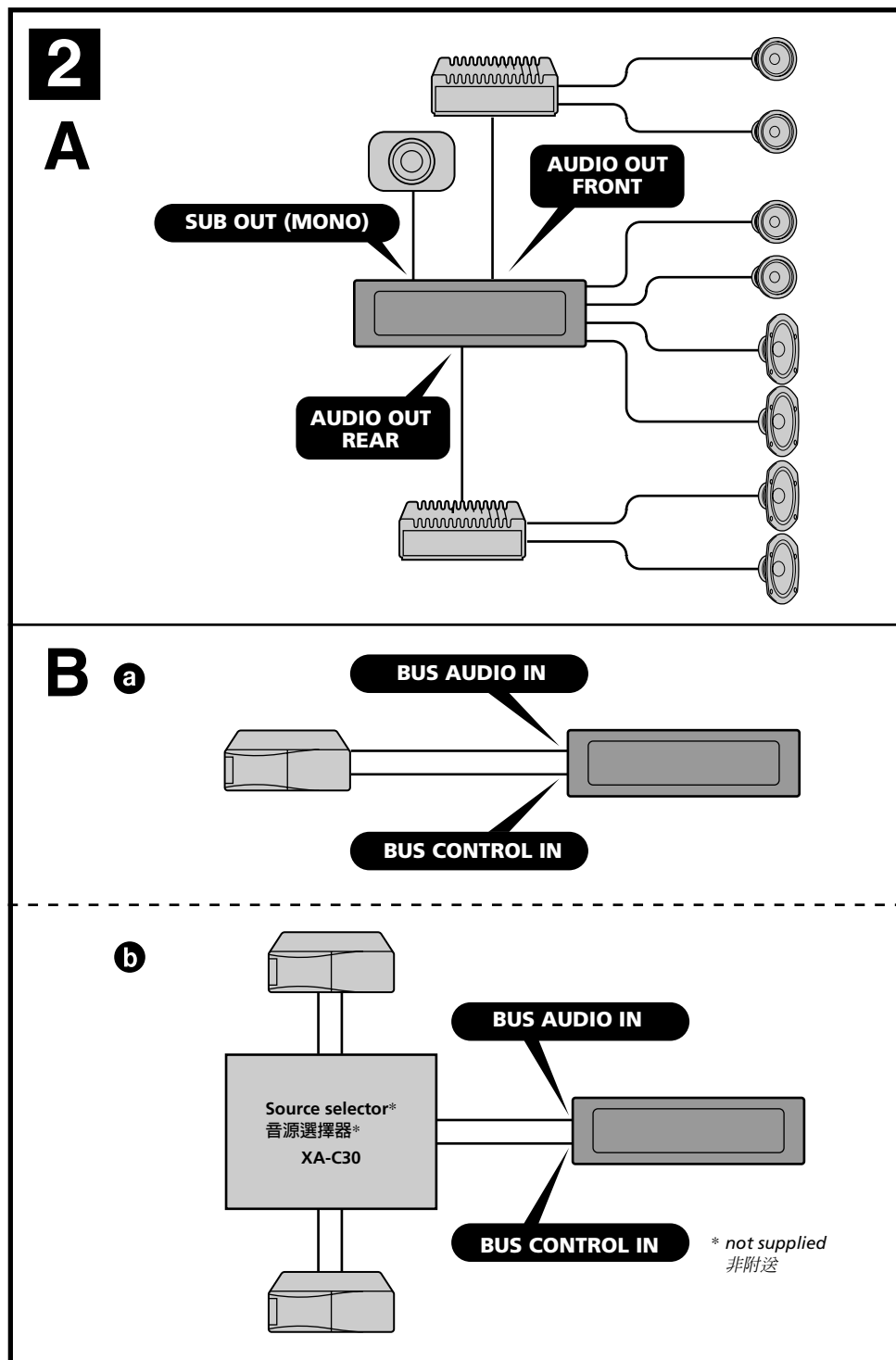
FM/MW/LW Compact Disc Player

Installation/Connections

安裝／線路連接

CDX-M800

Sony Corporation © 2003 Printed in Korea



Equipment used in illustrations (not supplied)

插圖中的裝置 (非附送)



Front speaker
前揚聲器



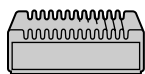
CD/MD changer
CD/MD 換碟機



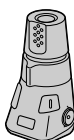
Rear speaker
後揚聲器



Active subwoofer
有源超低音揚聲器



Power amplifier
功率放大器



Rotary commander RM-X4S
旋轉式控制器 RM-X4S

Cautions

- This unit is designed for negative earth 12 V DC operation only.
- Do not get the wires under a screw, or caught in moving parts (e.g., seat railing).
- Before making connections, turn the car ignition off to avoid short circuits.
- Connect the **yellow** and **red** power input leads only after all other leads have been connected.
- **Run all earth wires to a common earth point.**
- Be sure to insulate any loose unconnected wires with electrical tape for safety.

Notes on the power supply cord (yellow)

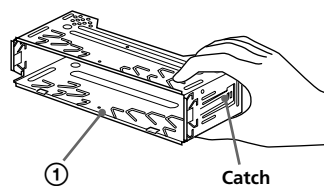
- When connecting this unit in combination with other stereo components, the connected car circuit's rating must be higher than the sum of each component's fuse.
- When no car circuits are rated high enough, connect the unit directly to the battery.

Parts list (1)

- The numbers in the list are keyed to those in the instructions.
- The bracket ① is attached to the unit before shipping. Before mounting the unit, use the release keys ⑦ to remove the bracket ① from the unit. For details, see "Removing the bracket ④)" on the reverse side of the sheet.
- **Keep the release keys ⑦ for future use as they are also necessary if you remove the unit from your car.**

Caution

Handle the bracket ① carefully to avoid injuring your fingers.



Note

Before installing, make sure that the catches on both sides of the bracket ① are bent inwards 2 mm. If the catches are straight or bent outwards, the unit will not be installed securely and may spring out.

Connection example (2)

Notes (2-A)

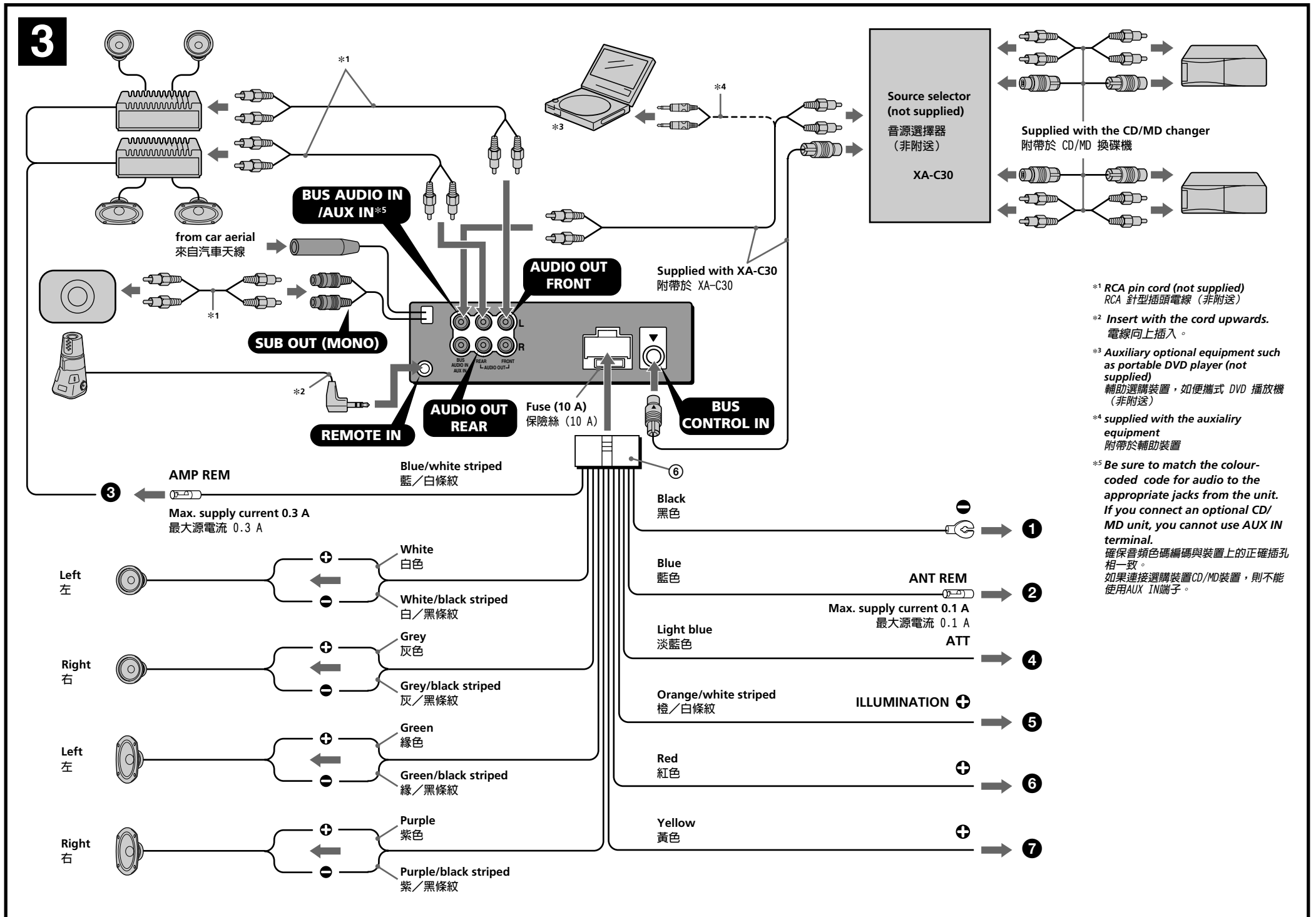
- Be sure to connect the black earth lead cord before connecting the amplifier.
- If you connect an optional power amplifier and do not use the built-in amplifier, the beep sound will be deactivated.

Tip (2-B-1)

For connecting two or more CD/MD changers, the source selector XA-C30 (optional) is necessary.

Connection diagram (3)

- To a metal surface of the car**
First connect the black earth lead, then connect the yellow and red power input leads.
- To the power aerial control lead or power supply lead of aerial booster amplifier**
Notes
 - It is not necessary to connect this lead if there is no power aerial or aerial booster, or with a manually-operated telescopic aerial.
 - When your car has a built-in FM/MW/LW aerial in the rear-side glass, see "Notes on the control and power supply leads."
- To AMP REMOTE IN of an optional power amplifier**
This connection is only for amplifiers. Connecting any other system may damage the unit.
- To the interface cable of a car telephone**
- To a car's illumination signal**
Be sure to connect the black earth lead to a metal surface of the car first.
- To the +12 V power terminal which is energised in the accessory position of the ignition key switch**
Notes
 - If there is no accessory position, connect to the +12 V power (battery) terminal which is energised at all times.
Be sure to connect the black earth lead to a metal surface of the car first.
 - When your car has a built-in FM/MW/LW aerial in the rear-side glass, see "Notes on the control and power supply leads."
- To the +12 V power terminal which is energised at all times**
Be sure to connect the black earth lead to a metal surface of the car first.



*1 RCA pin cord (not supplied)
RCA 針型插頭電線 (非附送)

*2 Insert with the cord upwards.
電線向上插入。

*3 Auxiliary optional equipment such as portable DVD player (not supplied)
輔助選購裝置，如便攜式 DVD 播放機 (非附送)

*4 supplied with the auxiliary equipment
附帶於輔助裝置

*5 Be sure to match the colour-coded code for audio to the appropriate jacks from the unit.
If you connect an optional CD/MD unit, you cannot use AUX IN terminal.
確保音頻色碼編碼與裝置上的正確插孔相一致。
如果連接選購裝置 CD/MD 裝置，則不能使用 AUX IN 端子。

Notes on the control and power supply leads

- The power aerial control lead (blue) supplies +12 V DC when you turn on the tuner or when you activate the AF (Alternative Frequency), TA (Traffic Announcement) function.
- When your car has built-in FM/MW/LW aerial in the rear side glass, connect the power aerial control lead (blue) or the accessory power input lead (red) to the power terminal of the existing aerial booster. For details, consult your dealer.
- A power aerial without relay box cannot be used with this unit.

Memory hold connection

When the yellow power input lead is connected, power will always be supplied to the memory circuit even when the ignition key is turned off.

Notes on speaker connection

- Before connecting the speakers, turn the unit off.
- Use speakers with an impedance of 4 to 8 ohms, and with adequate power handling capacities to avoid its damage.
- Do not connect the speaker terminals to the car chassis, or connect the terminals of the right speakers with those of the left speaker.
- Do not connect the earth lead of this unit to the negative (-) terminal of the speaker.
- Do not attempt to connect the speakers in parallel.
- Connect only passive speakers. Connecting active speakers (with built-in amplifiers) to the speaker terminals may damage the unit.
- To avoid a malfunction, do not use the built-in speaker wires installed in your car if the unit shares a common negative (-) lead for the right and left speakers.
- Do not connect the unit's speaker cords to each other.

Note on connection

If speaker and amplifier are not connected correctly, "Failure" appears in the display. In this case, make sure the speaker and amplifier are connected correctly.

注意

- 本機只能使用負極接地 12 V 直流電源。
- 不要使導線夾在螺絲下，或繞掛在移動部件上（如：座椅扶手上）。
- 進行連接之前，請先關閉汽車的點火器，以避免短路。
- 黃色和紅色電源輸入導線必須在所有其它導線都連接完畢以後才連接。
- 將所有地線都連接到同一接地點。
- 為了安全，請確認把沒有連接的導線用電器膠帶包裹進行絕緣。

電源導線須知 (黃色)

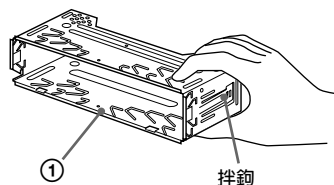
- 將本機与其它立體聲裝置相連接時，所連接的汽車電路容量必須大於每個裝置保險絲容量的總和。
- 當汽車電路容量不夠大時，請將本機直接與電池相連接。

零件一覽表 (1)

- 圖示數字與說明書中的數字是一致的。
- 托架 ① 在出廠之前已經裝在本裝置上。在安裝本裝置之前，請先使用開鎖鑰匙 ⑦ 將托架 ① 從本裝置上拆下。詳細說明，請參見本頁反面“拆下保護環 (4)”。
- 如果今後要將本裝置從汽車上拆下，也要使用開鎖鑰匙，因此請保存好開鎖鑰匙 ⑦ 以備今後使用。

注意

移動裝卸支架 ① 時，請特別注意別傷到手指。



註
安裝之前，必須將托架 ① 兩側的拌鉤向內彎曲 2 mm。如果拌鉤筆直或向外彎曲，則本裝置將無法牢固安裝，並可能彈出。

線路連接圖例 (2)

註 (2-A)

- 務必在接放大器之前連接黑色接地導線。
- 如果您連接了選購的功率放大器而不使用內裝的放大器，將無靜音功能。

要領 (2-B-6)

若要連接 2 台或更多 CD/MD 換碟機時，必須使用音源選擇器 XA-C30 (選購件)。

線路連接圖 (3)

1 連接至汽車的金屬表面

首先連接黑色接地導線，然後再連接黃色和紅色電源輸入導線。

2 連接至電動天線控制導線或天線升壓放大器的電源導線

註

- 如無電動天線，天線升壓器，或有手動套管式天線，便不須連接此導線。
- 您汽車的後/側玻璃窗中如果有內置 FM/MW/LW 天線，即請參看“控制線和電源線須知”。

3 連接至選購的功率放大器的 AMP REMOTE IN (放大器遙控輸入)

本連接僅用於放大器。連接任何其它系統可能會損壞本機。

4 連接至汽車電話的接口電纜

5 至汽車照明訊號

務請首先將黑色接地導線連接至汽車的金屬表面。

6 連接至在點火鑰匙開關的附件位置上通電的 +12 V 電源端子

註

- 若沒有附件位置，則請連接至始終通電的 +12 V 電源 (電池) 端子。
- 必須首先將黑色接地導線連接至汽車的金屬表面。
- 您汽車的後/側玻璃窗中如果有內置 FM/MW/LW 天線，即請參看“控制線和電源線須知”。

7 連接至始終通電的 +12 V 電源端子

必須首先將黑色接地導線連接至汽車的金屬表面。

控制線和電源線須知

- 當您打開調諧器或啓動 AF (變換頻率) 或 TA (交通公告) 功能時，電源天線控制導線 (藍色) 提供 +12 V 直流電。
- 若您的汽車後/側玻璃窗上有內置 FM/MW/LW 天線，須將電動天線控制導線 (藍色) 或輔助電源輸入導線 (紅色) 連接到現有天線升壓器上的電源端子上。詳細內容請向銷售商諮詢。
- 本機不能使用不具備繼電器盒的電動天線。

保持記憶的線路連接法

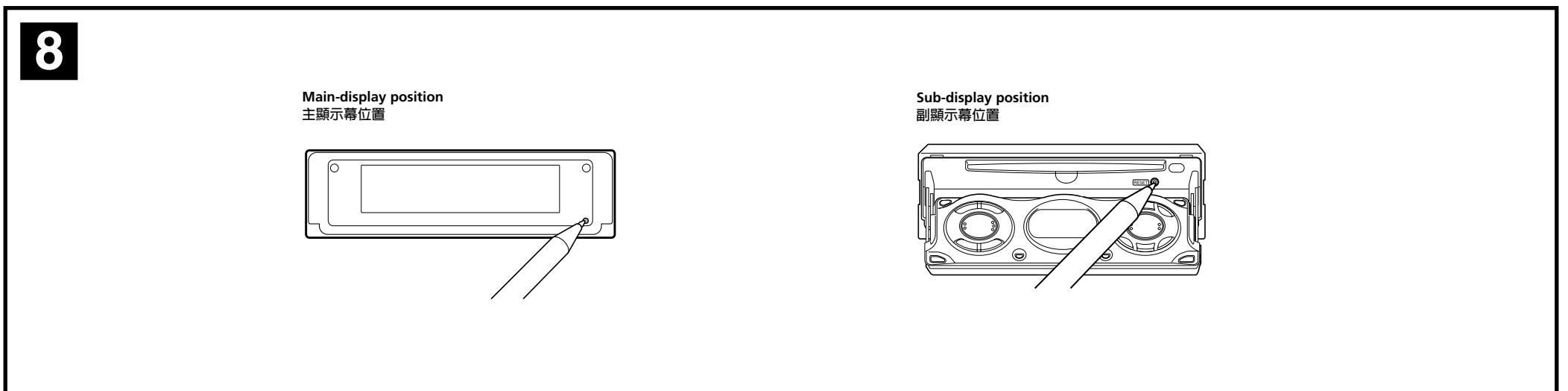
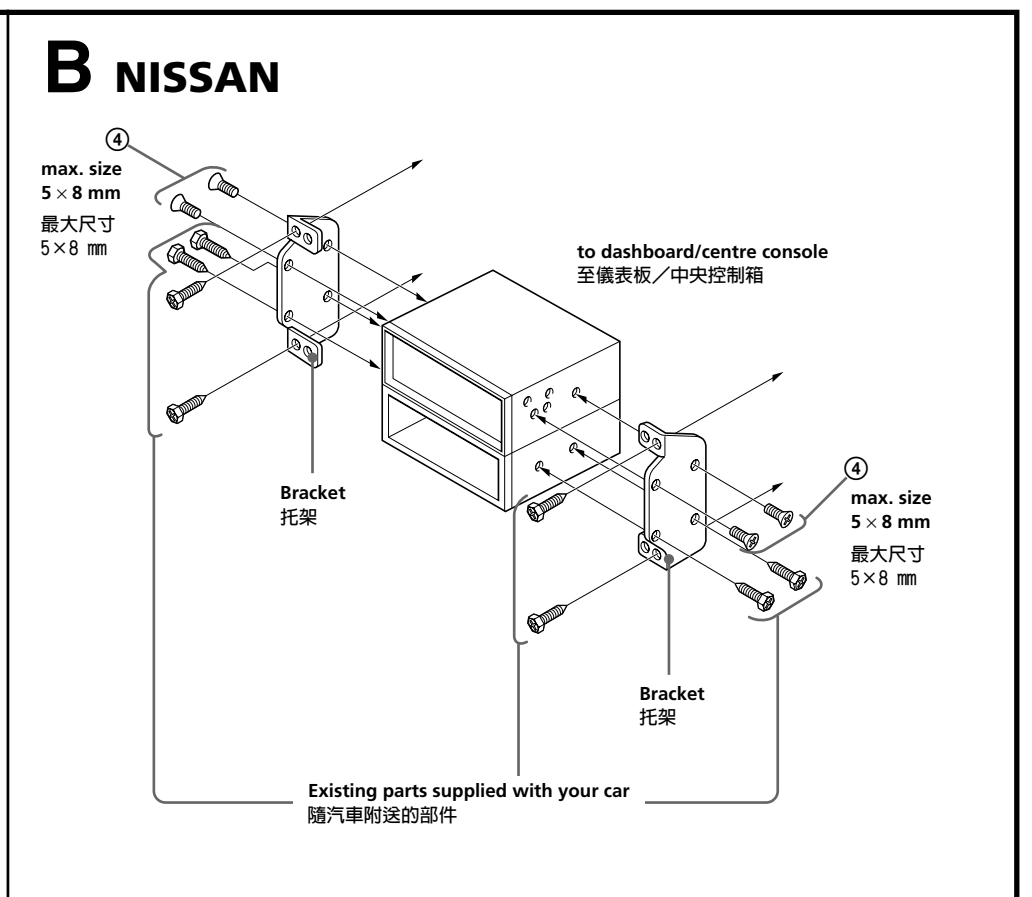
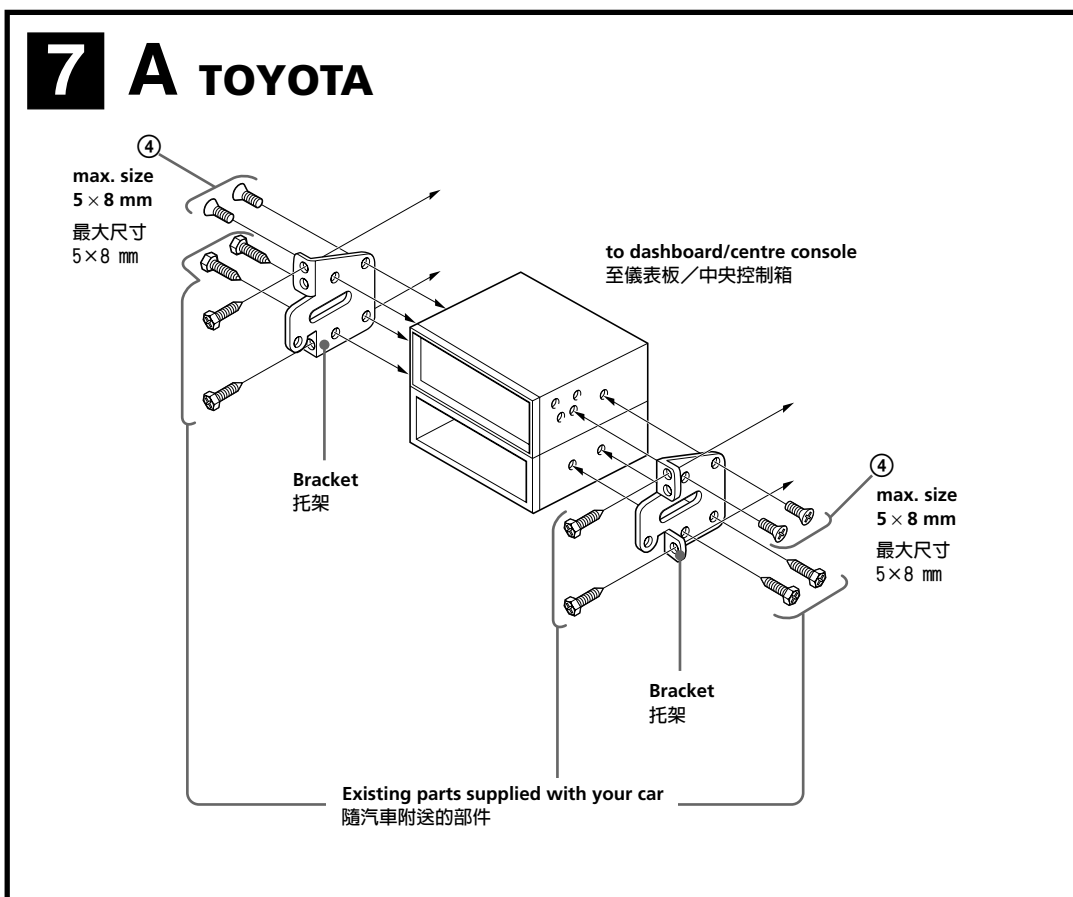
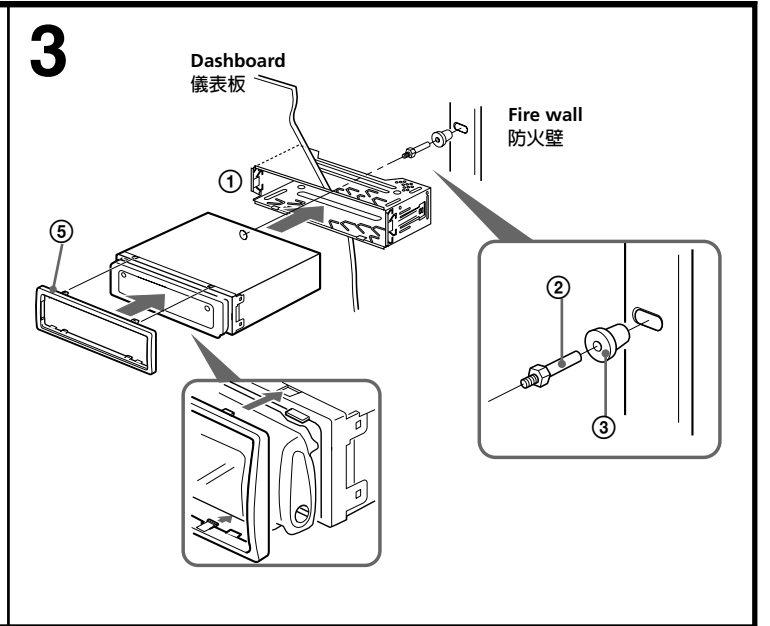
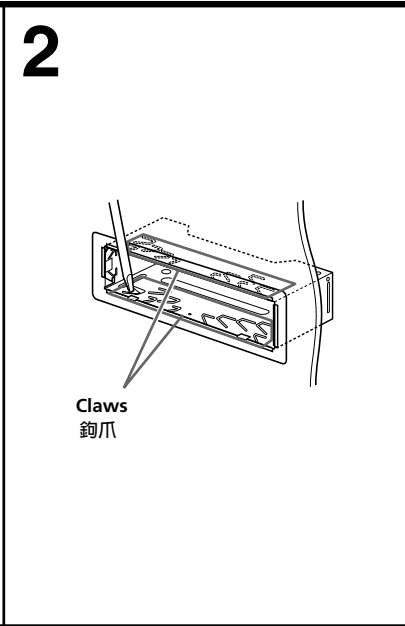
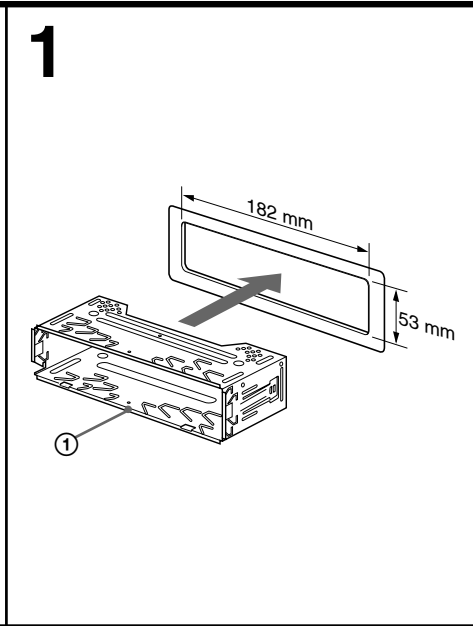
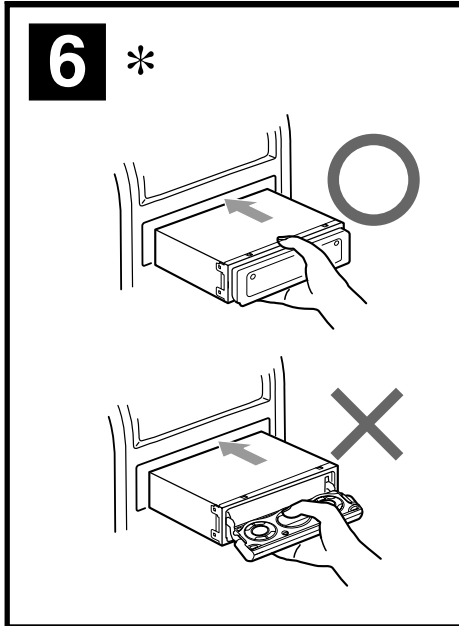
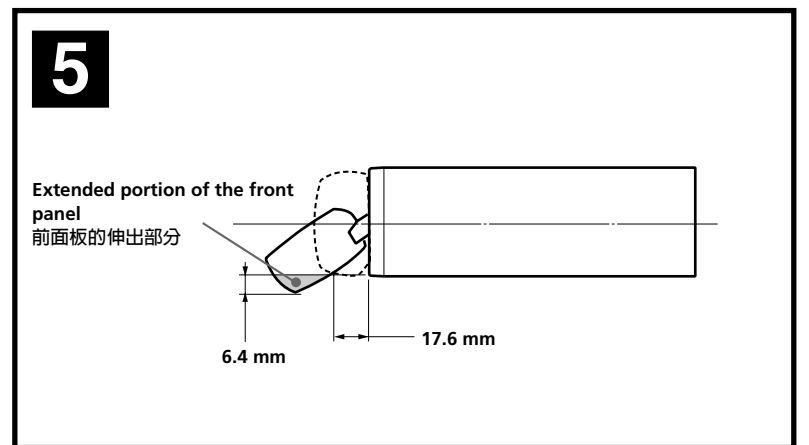
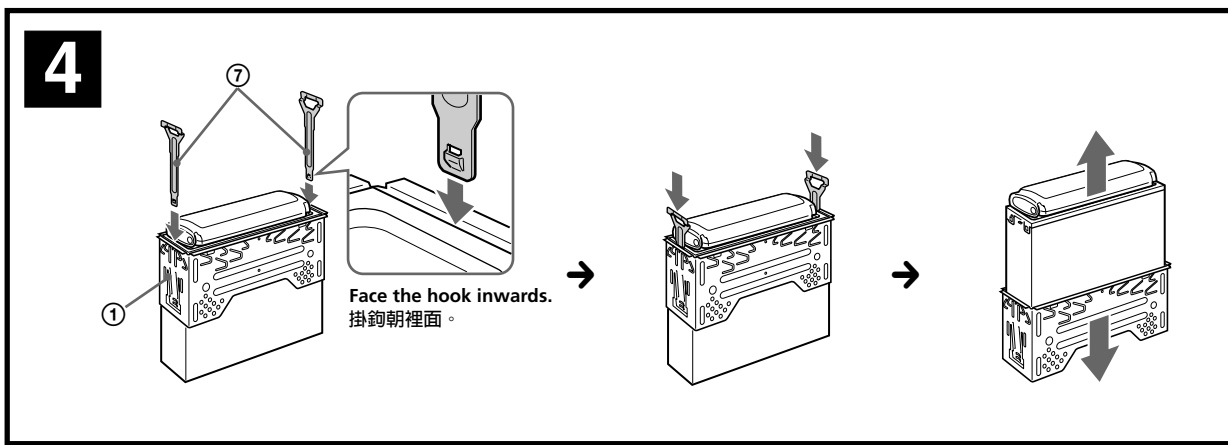
當連接好黃色電源輸入導線時，即使汽車發動機點火鑰匙關閉，電源仍將對記憶電路供電。

連接揚聲器時的注意事項

- 連接揚聲器電線以前，請先關閉本機電源。
- 使用阻抗為 4-8 Ω 且具有足夠功率處理容量的揚聲器，以免損壞揚聲器。
- 不要將揚聲器端子連接到車身上，或將右揚聲器端子與左揚聲器端子相連接。
- 切勿將本機的接地導線連接至揚聲器的負 (-) 接線端。
- 揚聲器不可並聯連接。
- 請僅連接無源揚聲器。若將有源揚聲器 (帶內置放大器) 連接到揚聲器端子上會損壞本機。
- 若本裝置使用左、右揚聲器的共用負極 (-) 導線，爲了避免故障，切勿使用已安裝在汽車內的內置揚聲器導線。
- 請勿將本裝置揚聲器導線相互連接。

有關連接注意事項

如果未正確連接揚聲器和放大器，則顯示幕上會出現 "Failure"。此時，請正確連接揚聲器和放大器。



Precautions

- Choose the installation location carefully so that the unit will not interfere with normal driving operations.
- Avoid installing the unit in areas subject to dust, dirt, excessive vibration, or high temperatures, such as in direct sunlight or near heater ducts.
- Use only the supplied mounting hardware for a safe and secure installation.

Mounting angle adjustment

Adjust the mounting angle to less than 60°.

Removing the bracket (4)

Before installing the unit, remove the bracket ① from the unit.

- 1 Insert both release keys ⑦ together between the unit and the bracket ① until they click.
- 2 Pull down the bracket ①, then pull up the unit to separate.

Extended portion of the front panel (5)

Mounting example (6)

Installation in the dashboard

When installing this unit, be sure to close the front panel of the unit. (6-*)

If the front panel is opened while installing and given too much force, it may cause a malfunction.

Notes

- Bend these claws outwards for a tight fit, if necessary. (6-2)
- Make sure that the 4 catches on the protection collar ⑤ are properly engaged in the slots of the unit. (6-3)

Mounting the unit in a Japanese car (7)

You may not be able to install this unit in some makes of Japanese cars. In such a case, consult your Sony dealer.

Note

To prevent malfunction, install only with the supplied screws ④.

Warning when installing in a car without ACC (accessory) position on the ignition key switch

After tuning off the ignition, be sure to press and hold **OFF** on the unit until the clock display disappears.

Otherwise, the display does not turn off and this causes battery drain.

RESET button (8)

When the installation and connections are completed, be sure to press the RESET button with a ballpoint pen, etc.

使用前注意事項

- 請仔細選擇安裝位置，以使本機不妨礙正常的駕駛操作。
- 避免將本機安裝在多塵、髒亂、極易受震動的地方，或者高溫之處，如陽光直射處或暖氣機前。
- 爲了安全和安裝牢固，安裝時請使用附送的安裝部件。

安裝角度之調整

請在 60 度以內調整安裝角度。

拆下保護環 (4)

安裝之前，請先從本裝置上拆下托架 ①。

- 1 將兩把開鎖鑰匙 ⑦ 一起插入裝置和托架 ① 之間，直至聽到喀嗒聲。
- 2 向下拉托架 ①，然後向上拉裝置，使之相互脫離。

前面板的伸出部分 (5)

安裝示例 (6)

安裝在儀錶板裡

安裝時必須關閉前面板。(6-*)

安裝時若前面板開著，以及施以太大的力，都會造成故障。

註

- 若有必要，則可彎曲這些卡爪使配合緊密。(6-2)
- 必須將保護環 ⑤ 上的 4 個鉤爪正確嚙合在裝置的卡槽中。(6-3)

將本機安裝於日本產汽車上時 (7)

有的日本產汽車不能安裝本機，在這種情形下，請您向當地的 Sony 經銷商諮詢。

註

爲防止發生故障，安裝時只能使用附送的螺絲 ④。

安裝在點火鑰匙開關上沒有 ACC (附件) 位置的汽車上時的警告

關閉汽車發動機後，必須按住 **OFF** 不放，直至顯示消失。

否則顯示不會關閉，並耗費電池。

RESET 按鈕 (8)

當安裝和連接完成後，必須用原子筆等按壓 RESET 按鈕。