

Radio Cassette-Corder

Operating Instructions

Mode d'emploi (au verso)

Manual de instrucciones (inverso)



WM-SR10

©2002 Sony Corporation Printed in China



For customers in the United States Owner's Record

The model number is located at the front and the serial number is located inside the cassette holder. Record these numbers in the space provided below. Refer to them whenever you call upon your Sony dealer regarding this product.
Model No. WM-SR10
Serial No. _____

Product registration

Please register this product on line at www.sony.com/productregistration.

<<http://www.sony.com/productregistration>>

Proper registration will enable us to send you periodic mailings about new products, services, and other important announcements. Registering your product will also allow us to contact you in the unlikely event that the product needs adjustment or modification. Thank you.

<http://www.sony.net/>

"WALKMAN" is a registered trademark of Sony Corporation to represent Headphone Stereo products.

is a trademark of Sony Corporation.

"WALKMAN" est une marque déposée par Sony Corporation pour représenter les produits stéréo dotés d'écouteurs.

est une marque de Sony Corporation.

"WALKMAN" es una marca registrada de Sony Corporation que representa los productos audífonos estéreo.

es una marca de fábrica de Sony Corporation.

A pleine puissance, l'écoute prolongée du baladeur peut endommager l'oreille de l'utilisateur.

Radio Grabadora Portátil

POR FAVOR LEA DETALLADAMENTE ESTE MANUAL DE INSTRUCCIONES ANTES DE CONECTAR Y OPERAR ESTE EQUIPO. RECUERDE QUE UN MAL USO DE SU APARATO PODRIA ANULAR LA GARANTIA.

INFORMATION

This device complies with Part 15 of the FCC Rules. Operation is subject to the following two conditions: (1) This device may not cause harmful interference, and (2) this device must accept any interference received, including interference that may cause undesired operation.

You are cautioned that any changes or modifications not expressly approved in this manual could void your authority to operate this equipment.

English

Preparations

To Insert batteries -

Slide open the battery compartment lid, and insert two size AA (R6) dry batteries with correct polarity.

Replace the batteries with new ones when the BATT indicator dims. -

Note

For maximum performance we recommend that you use Sony alkaline batteries.

To attach the battery compartment lid if it is accidentally detached

Attach it as illustrated. -

To use external power

Connect the AC power adaptor AC-E30HG (not supplied) to the DC IN 3 V jack and to the wall outlet. Do not use any other AC power adaptor.

Specifications for AC-E30HG vary for each area. Check your local voltage and the shape of the plug before purchasing.



Polarity of the plug

Notes

- Connect the AC power adaptor to an easily accessible AC outlet. Should you notice an abnormality in the AC power adaptor, disconnect it from the AC outlet immediately.
- Do not touch the AC power adaptor with wet hands.

Playing a Tape

- 1 Insert a cassette.
- 2 Set (RADIO OFF) TAPE/AM/FM to (RADIO OFF) TAPE.
- 3 Press PLAY.

To	Press/switch
Stop playback*	STOP
Fast-forward or rewind the tape**	FF/CUE or REW/REVIEW during stop
Search forward during playback (CUE)	Press and hold FF/CUE and release it at the point you want
Search backward during playback (REVIEW)	Press and hold REW/REVIEW and release it at the point you want
Pause playback	PAUSE in the direction of the arrow <i>To release pause, slide PAUSE to the opposite direction of the arrow.</i>

* When the tape ends, the depressed button PLAY is released automatically (Auto shut-off function).

** If you leave the unit after the tape has been wound or rewound, the batteries will be consumed rapidly. Be sure to press STOP.

Note

Do not open the cassette holder while the tape is running.

To use the speaker

Set SPEAKER/ to SPEAKER. The sound will play from the speaker and no sound from the headphones/earphones. When the speaker is in use, the AVLS function will not work.

Listening to the Radio

Since the headphones/earphones cord serves as an FM antenna, connect the headphones/earphones even when using the speaker.

- 1 Set (RADIO OFF) TAPE/AM/FM to AM or FM.
- 2 Turn TUNING to tune in to the station you want.

To turn off the radio

Set (RADIO OFF) TAPE/AM/FM to (RADIO OFF) TAPE.

To improve broadcast reception

- For FM: Extend the headphones/earphones cord (antenna). If the reception is still not good, adjust FM ST/MONO or DX/LOCAL.
- For AM: Reorient the unit itself.

Recording

Notes

- If the record-protect tab is broken, you cannot record on that side.
- Use new batteries when recording.
- If a howling occurs, turn down the volume.
- When recording with the microphone, the sound to be recorded cannot be heard through the speaker.

- 1 Insert a TYPE I (normal) tape.
- 2 To record with the built-in microphone:
 - ① Place the unit on a hard surface (such as a desk) with the cassette holder side down, so that the microphone can record effectively.
 - ② Set (RADIO OFF) TAPE/AM/FM to (RADIO OFF) TAPE.

To record from the radio:

- ① Set (RADIO OFF) TAPE/AM/FM to AM or FM.
- ② Tune in to the station you want to record (see "Listening to the Radio").
- 3 Press REC.
 - ▶ PLAY is pressed simultaneously and recording starts. The recording level is automatically adjusted.

To	Press/switch
Pause a recording	PAUSE
Stop recording	STOP
Start recording during playback	REC during playback

To reduce noise while recording AM programs

Set the ISS (Interference Suppress Switch) to the position that reduces noise the most.

Notes on recording

- The recording level is fixed.
- Actual recording will start about 2 seconds after you press REC. Press REC about 2 seconds before the moment you want to start recording, or you will miss the beginning of your recording.
- Do not use a high-position (TYPE II) or metal (TYPE IV) tape. If you do, the sound may be distorted when you play back the tape, or the previous recording may not be erased completely.
- Do not connect or disconnect the headphones/earphones to/from the jack while recording from the radio. The recording condition may change abruptly, or noise may be recorded.
- When recording with the microphone, do not place it near a lamp cord or a fluorescent lamp as this may cause interference noise.
- No other operation can be done while recording. For other operations, stop recording first.

To prevent a tape from being accidentally recorded over

Break off the tabs from side A and/or B. To reuse the tape for recording, cover the tab hole with adhesive tape.

Recording from various sound sources

To record with an external microphone

Connect an external microphone to the MIC (PLUG IN POWER) jack.

Use a microphone such as the ECM-DS70P (not supplied).

When using a plug-in-power system microphone, the power to the microphone is supplied from this unit.

To record from another equipment

Connect another equipment to the MIC (PLUG IN POWER) jack using such as the RK-G134 connecting cord (not supplied).

Using Other Functions

(Only when using headphones/earphones)

Protecting your hearing—AVLS (Automatic Volume Limiter System)

Set AVLS to LIMIT. The maximum volume is kept down to protect your ears even if you turn the volume up.

To cancel the AVLS function, set AVLS to NORM.

Listening with powerful sound

Set SOUND BOOST to ON to obtain the Sound Boost effect which emphasizes both treble and bass.

Note

When you set AVLS to LIMIT, the SOUND BOOST effect is reduced.

Precautions

On batteries

- Do not carry dry batteries with coins or other metallic objects. It can generate heat if the positive and negative terminals of the batteries are accidentally contacted by a metallic object.
- When you are not going to use your Walkman for a long time, remove the batteries to prevent damage from battery leakage and corrosion.

On handling

- Do not put any heavy object on top of the unit. The unit may be damaged.
- Do not leave the unit in a location near heat sources, or in a place subject to direct sunlight, excessive dust or sand, moisture, rain, mechanical shock, or in a car with its windows closed.
- We do not recommend the use of tape longer than 90 minutes. They are very thin and tend to be stretched easily. This may cause malfunction of the unit or sound deterioration.
- If the unit has not been used for a long time, set it in the playback mode to warm it up for a few minutes before you start using it again.
- Keep personal credit cards using magnetic coding or spring-wound watches, etc., away from the unit to prevent possible damage from the magnet used in the speaker.

On headphones/earphones

Road safety

Do not use headphones/earphones while driving, cycling, or operating any motorized vehicle. It may create a traffic hazard and is illegal in some areas. It can also be potentially dangerous to play your headphones/earphones at high volume while walking, especially at pedestrian crossings. You should exercise extreme caution or discontinue use in potentially hazardous situations.

Preventing hearing damage

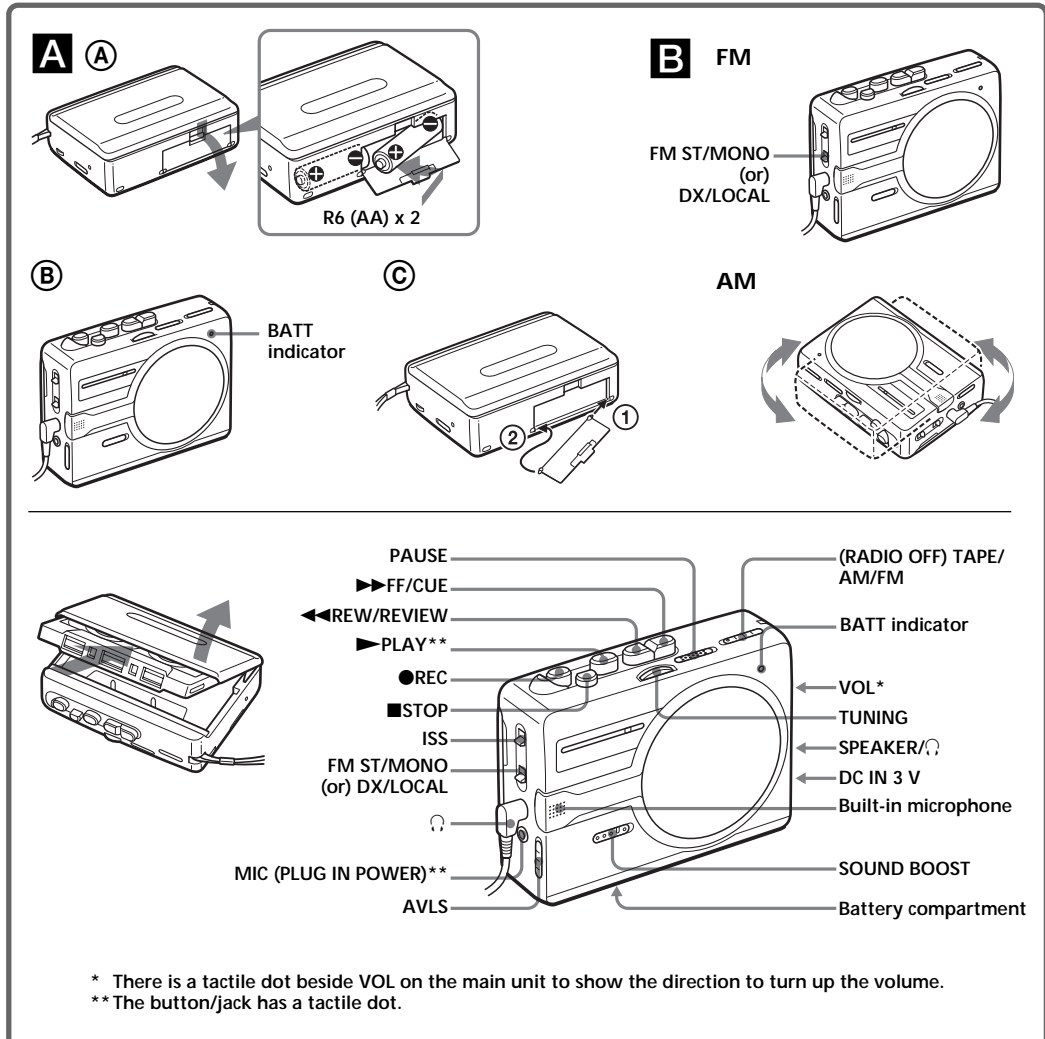
Do not use headphones/earphones at high volume. Hearing experts advise against continuous, loud and extended play. If you experience a ringing in your ears, reduce the volume or discontinue use.

Caring for others

Keep the volume at a moderate level. This will allow you to hear outside sounds and to be considerate to the people around you.

On maintenance

- Clean the tape head and tape path using a cotton swab and commercially available cleaning solvent after every 10 hours of use.
- To clean the exterior, use a soft cloth slightly moistened in water. Do not use alcohol, benzine or thinner.
- Clean the headphones/earphones plugs periodically.



Specifications

Frequency range	
FM:	65.0 - 107.9 MHz (Eastern Europe) 87.5 - 108 MHz (Italy and Saudi Arabia) 87.6 - 108 MHz (North, Central and South America) 87.6 - 107.9 MHz (Other countries)
AM:	526.5 - 1 606.5 kHz (Italy and Saudi Arabia) 530 - 1 710 kHz (North, Central and South America) 531 - 1 602 kHz (Other countries)
Frequency response	Playback: 40 - 15 000 Hz Recording: 100 - 8 000 Hz
Input	Microphone (MIC) jack
Output	Headphones () jack, Load impedance 8 - 300 Ω
Speaker	Approx. 5 cm (2 in.) dia.
Power requirement	3V DC Batteries AA (R6) x 2 External DC 3 V power sources
Dimensions	Approx. 112.0 × 82.5 × 37.5 mm (4 1/2 × 3 1/4 × 1 1/2 inches) (w/h/d), excl. projecting parts and controls
Mass	Approx. 187 g (6.6 oz) (main unit only)
Supplied accessory	Stereo headphones or Stereo earphones (1)

Design and specifications are subject to change without notice.

Battery life* (approximate hours)	Sony alkaline LR6(SG)** Sony R6P(SR)	
	(using headphones/earphones)	
Tape playback	24	7
Radio reception	48	15
Mic recording	20	4.5
Radio recording	12	3
(using the speaker)		
Tape playback	15	4.5
Radio reception	26	6
Radio recording	11.5	3

* Measured value by the standard of JEITA (Japan Electronics and Information Technology Industries Association). (Using a Sony HF series cassette tape)

**When using LR6 (SG) Sony alkaline dry batteries (produced in Japan).

Note

The battery life may be shorter depending on the operating condition, the surrounding temperature and battery type.

SONY

Tape Cassette Player/Recorder/CD Player/Mini Disc
DAT/Radio/Head Phone/Speaker/MIC/Personal

Portable Audio

LIMITED WARRANTY

Sony Electronics Inc. ("Sony") warrants this Product (including any accessories) against defects in material or workmanship as follows:

1. LABOR: For a period of 90 days from the date of purchase, if this Product is determined to be defective, Sony will repair or replace the Product, at its option, at no charge, or pay the labor charges to any Sony authorized service facility. After the Warranty Period, you must pay for all labor charges.

2. PARTS: In addition, Sony will supply, at no charge, new or rebuilt replacements in exchange for defective parts for a period of one (1) year. After 90 days from the date of purchase, labor for removal and installation is available from Sony authorized service facilities or a Sony Service Center at your expense.

To obtain warranty service, you must take the Product, or deliver the Product freight prepaid, in either its original packaging or packaging affording an equal degree of protection, to any authorized Sony service facility.

This warranty does not cover customer instruction, installation, set up adjustments or signal reception problems.

This warranty does not cover cosmetic damage or damage due to acts of God, accident, misuse, abuse, negligence, commercial use, or modification of, or to any part of the Product, including the antenna. This warranty does not cover damage due to improper operation or maintenance, connection to improper voltage supply, or attempted repair by anyone other than a facility authorized by Sony to service the Product. This warranty does not cover Products sold AS IS or WITH ALL FAULTS, or consumables (such as fuses or batteries). This warranty is valid only in the United States.

Proof of purchase in the form of a bill of sale or receipted invoice which is evidence that the unit is within the Warranty period must be presented to obtain warranty service.

This warranty is invalid if the factory applied serial number has been altered or removed from the Product.

REPAIR OR REPLACEMENT AS PROVIDED UNDER THIS WARRANTY IS THE EXCLUSIVE REMEDY OF THE CONSUMER. SONY SHALL NOT BE LIABLE FOR ANY INCIDENTAL OR CONSEQUENTIAL DAMAGES FOR BREACH OF ANY EXPRESS OR IMPLIED WARRANTY ON THIS PRODUCT, EXCEPT TO THE EXTENT PROHIBITED BY APPLICABLE LAW, ANY IMPLIED WARRANTY OF MERCHANTABILITY OR FITNESS FOR A PARTICULAR PURPOSE ON THIS PRODUCT IS LIMITED IN DURATION TO THE DURATION OF THIS WARRANTY.

Some states do not allow the exclusion or limitation of incidental or consequential damages, or allow limitations on how long an implied warranty lasts, so the above limitations or exclusions may not apply to you. In addition, if you enter into a service contract with the Sony Partnership within 90 days of the date of sale, the limitation on how long an implied warranty lasts does not apply to you. This warranty gives you specific legal rights, and you may have other rights which vary from state to state.

For your convenience, Sony Electronics Inc. has established telephone numbers for frequently asked questions:

To locate the service or dealer nearest you, or for service assistance or resolution of a service problem, or for product information or operation, call:

Sony Customer Information Services Center
1-800-222-7669
or visit the Sony Web Site:
www.sony.com

For an accessory or part not available from your authorized dealer, call:

1-800-488-SONY (7669)

